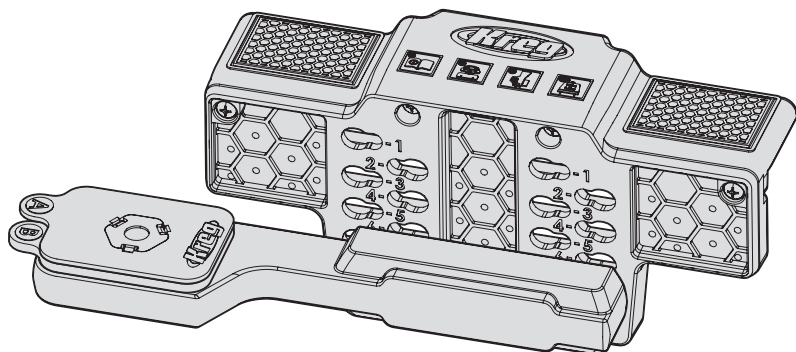


OWNER'S MANUAL



Cabinet Door Mounting Jig

Manual applies to Item # KHI-CDIJ and KHI-CDIJ-INT



WARNING Every user must read and follow instructions and safety precautions in this manual. Failure to do so could result in serious injury. Save manual for future reference.

We're here to help.

We want you to have an exceptional project building experience. If you have questions or need support, please get in touch.
1-800-447-8638 | technicalsupport@kregtool.com

Tell us about your experience.

Your opinion counts. And we're always looking for ways to improve. Share your feedback so we can keep growing and innovating for you.
www.kregtool.com/feedback

English	2
French (N. America)	13
Spanish (N. America)	25
French	37
Spanish	49
German	61

Table of Contents

Safety Precautions	2	Operation	8
Pre-Assembly	3	Using the Jig	8
Recommended Tools/Materials	3	Maintenance	10
Product Description	3	Care and Cleaning	10
Assembly	4	Troubleshooting	10
Before you Begin	4	Adjusting for Cabinet Door Weight	10
Jig Setting and Shim Use Chart	6	Recommended Accessories (Not Included)	10

Safety Precautions

WARNING Before using a power tool with this product, read and follow the tool manufacturer's instructions and safety precautions in addition to the safety precautions below to reduce the risk of serious injury from hazards such as fire, electric shock, or rotating drill bit.

- Always follow the written safety instructions for using your jig.
- Follow your drill manufacturer's safety guidelines.
- Always wear personal protective equipment certified as such, including safety glasses, hearing and respiratory protection. When using a power tool, always follow the manufacturer's personal protective equipment requirements.
- Do not allow familiarity gained from frequent use of your tools to replace safe work practices. A moment of carelessness is sufficient to cause severe injury.

WARNING Follow your clamp manufacturer's safety guidelines. Ensure that the jig is clamped securely prior to hanging the cabinet door.

WARNING Do not exceed the rated weight limit capacity of the jig. Exceeding the weight limit with doors over 25 lbs. may cause the product to fail which can result in serious injury.

WARNING When mounting doors, take special care to avoid injury. Ensure the cabinet door is properly placed on the jig and supported with one hand.

WARNING Avoid awkward hand positions where a sudden slip could cause contact with the rotating bit.

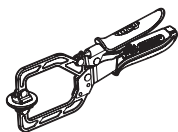
WARNING Do not operate this tool or any machinery while under the influence of drugs, alcohol, or medications.

WARNING This product can expose you to chemicals including Carbon 1333-86-4 and other chemicals, which are known to the State of California to cause cancer and reproductive harm. For more information go to www.P65Warnings.ca.gov.

Pre-Assembly

Review this section before you begin. Ensure you have all tools/materials on hand and compare the package with the items listed in the Product Description section. If any item appears missing or lost, do not use this product. Contact Technical Support or return product to place of purchase.

Recommended Tools/Materials

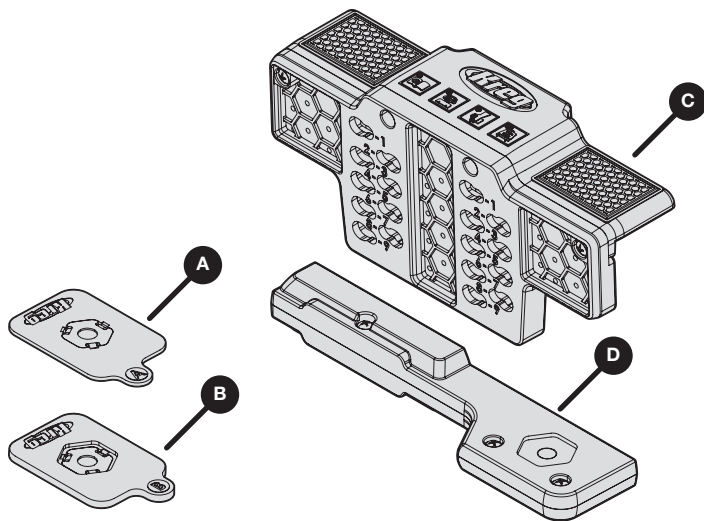


Clamp



Pencil

Product Description



Part	Description
A	Shim A
B	Shim B

Part	Description
C	Cabinet Door Mounting Jig
D	Support Arm

Before you Begin

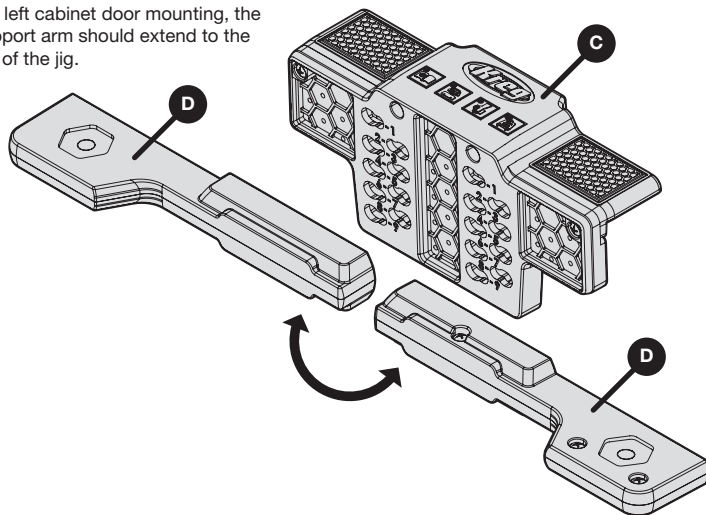
Note This jig can be used to mount doors for both wall cabinets and base cabinets.

- Mount your hinges on your doors.
- Use the chart on page 6 to identify the correct jig setting and shims to use for your desired overlay (how much your door will overlap your cabinet frame or faceframe).

1 Attach the Support Arm to the Jig

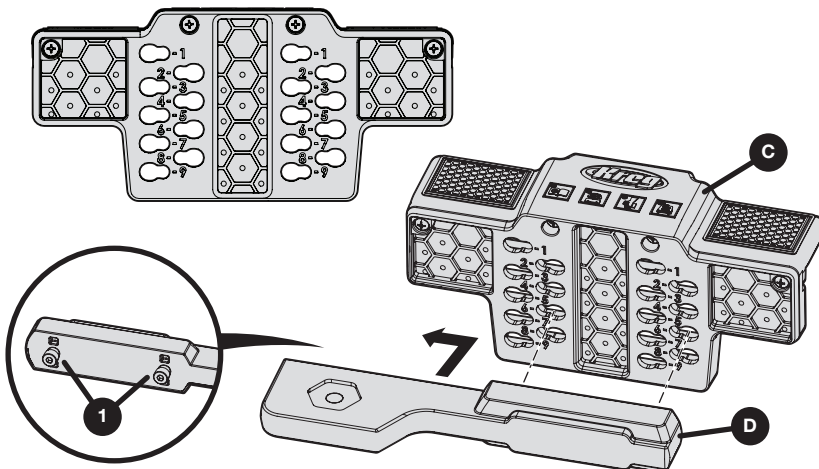
- Determine the correct orientation of the support arm (D) to the jig (C) for your application.

For left cabinet door mounting, the support arm should extend to the left of the jig.



For right cabinet door mounting, the support arm should extend to the right of the jig.

- b. Insert the pegs (1) of the support arm (D) into the correct jig setting (see chart on page 6).
- c. Slide the support arm (D) horizontally to secure in place.



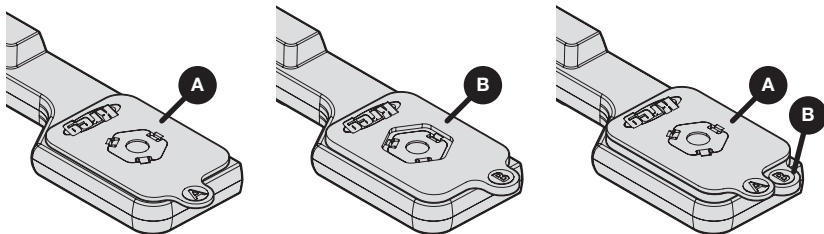
Note To remove the support arm, slide horizontally and pull away from the jig. Flip the support arm and reattach to the same jig setting for the opposite door.

2 Optional: Add Shims to the Support Arm

Depending on how far you want to the door to overlay the opening, you can use the support arm alone, or add one or both shims. Use the chart on page 6 to determine which shims to use.

- a. Apply the shim (A or B) to the end of the support arm.

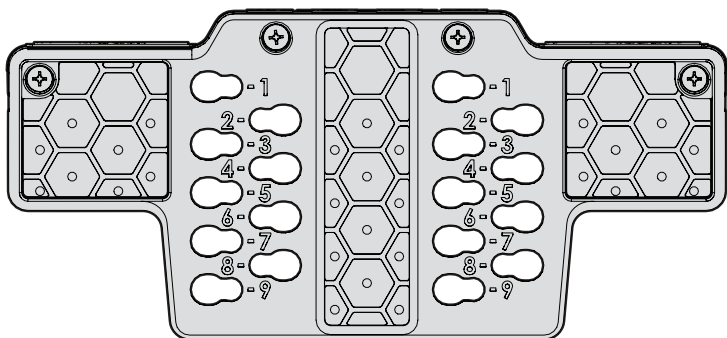
Note To remove, pull the shim(s) off the end of the support arm.



Jig Setting and Shim Use Chart

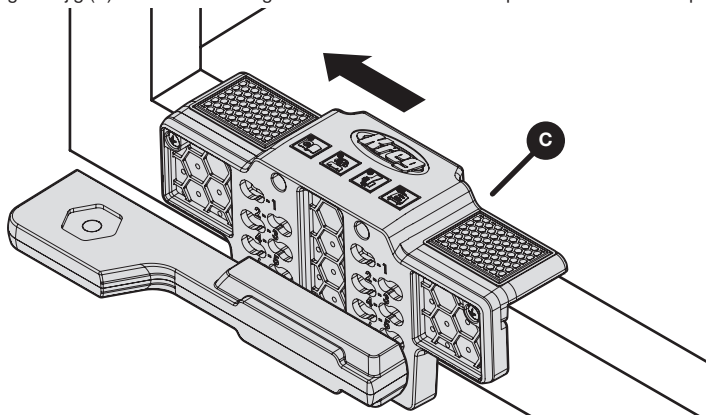
Overlay	Shim	Jig Setting
Inset	—	1
1/4" (6.5 mm)	—	2
5/16" (8 mm)	A + B	3
3/8" (9.5 mm)	A	
7/16" (11 mm)	B	
1/2" (13 mm)	—	4
9/16" (14 mm)	A + B	
5/8" (16 mm)	A	
11/16" (17.5 mm)	B	
3/4" (19 mm)	—	5
13/6" (20.5 mm)	A + B	
7/8" (22 mm)	A	
15/16" (24 mm)	B	
1" (26 mm)	—	
1-1/16" (27 mm)	A + B	6
1-1/8" (28.5 mm)	A	
1-3/16" (30 mm)	B	
1-1/4" (31.5 mm)	—	

Overlay	Shim	Jig Setting
1-5/16" (33 mm)	A + B	7
1-3/8" (35 mm)	A	
1-7/16" (36.5 mm)	B	
1-1/2" (37.5 mm)	—	8
1-9/16" (40 mm)	A + B	
1-5/8" (41 mm)	A	
1-11/16" (43 mm)	B	
1-3/4" (45 mm)	—	9
1-13/16" (46 mm)	A + B	
1-7/8" (47.5 mm)	A	
1-15/16" (49 mm)	B	
2" (50 mm)	—	



3 Position the Jig

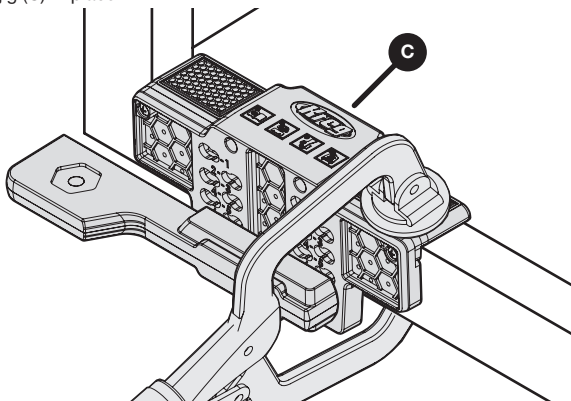
- a. Align the jig (C) on the bottom edge of the cabinet as close as possible to the door opening.



4 Clamp the Jig

Warning Follow your clamp manufacturer's safety guidelines. Ensure that the jig is clamped securely prior to hanging the cabinet door.

- a. Clamp the jig (C) in place.



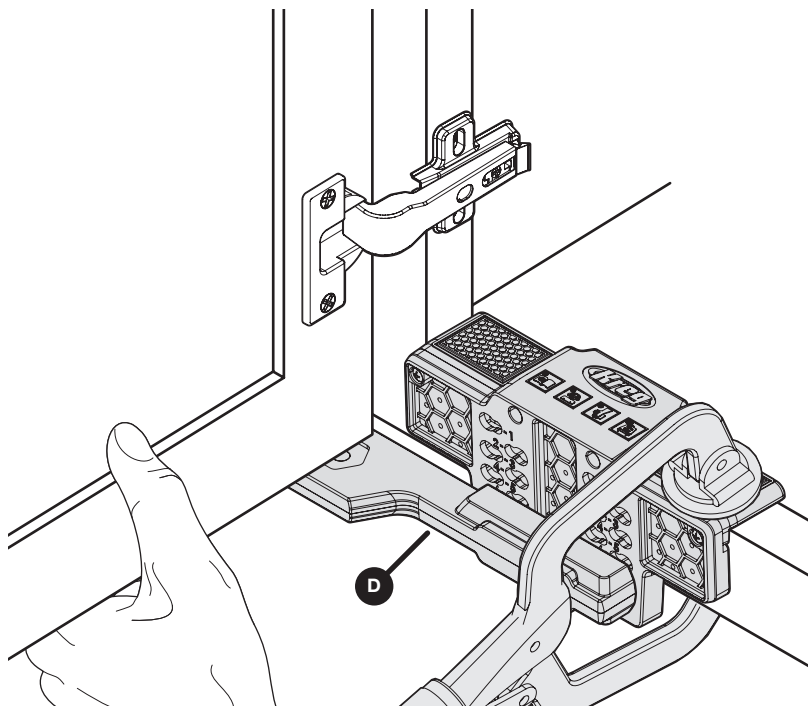
Operation

Using the Jig

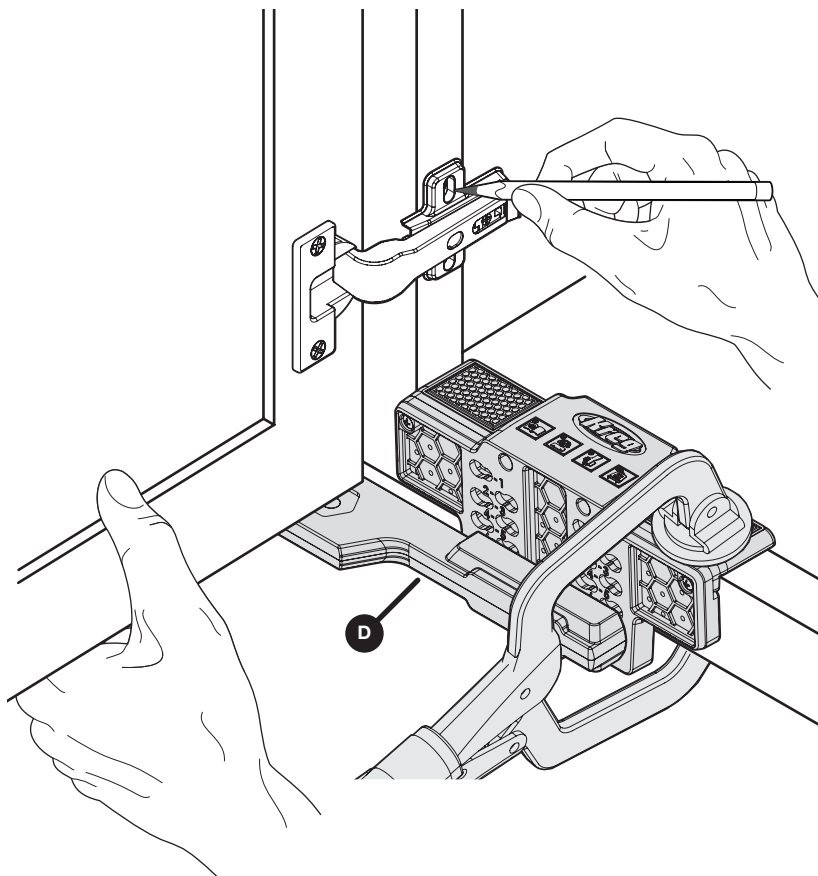
This jig is recommended for use with cabinet doors weighing 25 lbs. or less.

Warning When mounting doors, take special care to avoid injury. Ensure the cabinet door is properly placed on the jig and supported with one hand.

- a. Align the cabinet door at a 90-degree angle to the front of the cabinet.
- b. Rest the bottom corner of the door on the support arm (D) and hold the door in place with one hand.



- c. Use your other hand to mark, drill, or screw the hinge plate in the correct location.
- d. Repeat with top hinge.



TIP For concealed hinges, make sure to mount the screw in the center of the mounting slot of the plate to allow for additional adjustment.

Maintenance

Keep all parts clean of dust and debris.

Care and Cleaning

To clean, wipe with a clean rag or blow compressed air on the jig.

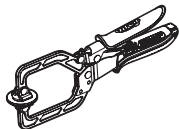
Troubleshooting

Problem	Possible Cause	Solution
The cabinet door is not aligned to the correct overlay.	The support arm is not in the correct jig setting.	Check the jig setting placement and realign the cabinet door.
	The cabinet door is too heavy for the jig setting.	Move the support arm up one setting or add shims.
	The support arm is bent or damaged.	Call Technical Support.

Adjusting for Cabinet Door Weight

While mounting doors that weigh more than 15 lbs., additional adjustment or shims may be required for proper placement. Do not use with doors that exceed 25 lbs.

Recommended Accessories (Not Included)



Clamp