

The Robert Sorby Modular Micro tool system

This quick and simple system allows the woodturner to utilise one handle with an array of tools. Just one of the Modular micro handled sets need to be purchased and then any of the Modular micro sets without handle can be added to it. By adjusting two locking screws in the handle, the tool can be interchanged from Sandmaster to turning tool and swan neck hollowing to Spiral system.

The Modular Handled Micro Spindle set is just one of the products from the Robert Sorby Modular Micro tool system. It is also available in several other sets and many individual blades to add to the Modular handle.

Sets available are:

Modular Micro handled Spiral tool.

This Spiral tool has two small cutters which allows the woodturner to spiral and decorate any small project that demands fine detail and crisp design. When used on very close grain wood or man made materials this tool will enhance any turned project with fine delicate spirals or beautiful textured patterns.

Modular Micro handled Sandmaster

It utilises a 1" (25mm) sanding pad enabling it to access difficult to get at areas. The sanding pad has a sponge section to allow it to blend into any curve and follow the shape of the project being sanded. The sponge also helps to dissipate any heat that may be built up from friction.

Modular Micro Handled Hollowing set

When used in conjunction with the Spindle set to produce the exterior of small intricately detailed shapes, the Hollowing set can be used to remove all the waste material from inside. The boring tool will remove alot of waste material very quickly, this will allow the swan neck tool in to produce fine hollow pieces such as vases. The 1/4" (6mm) round nose scraper will allow the exterior of the piece to be finished.

The Sandmaster and Spiral sets are available as Modular Micro sets without handles and all the Spindle and Hollowing tools are available separately without handles. There are other additional blades available including Round Side Cut, French Curve and Diamond Side Cut scrapers.

Available at all Robert Sorby stockists.

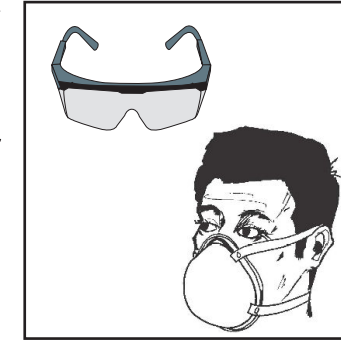
For further information contact:
Robert Sorby, Athol Road, Sheffield, S8 0PA
+44 (0) 1142250700
sales @robert-sorby.co.uk
www.robert-sorby.co.uk

Robert Sorby Modular Handled Micro Spindle set

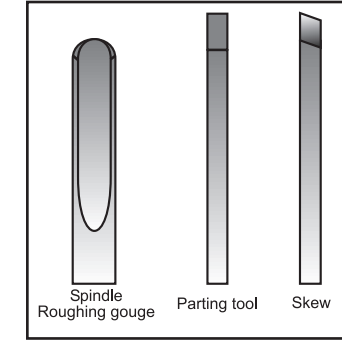
The Robert Sorby Modular Handled Spindle set uses the aluminium handle from the Modular Micro tool system with three interchangeable blades.

There is a Spindle Roughing gouge for initial waste removal and initial shaping, a Skew for smoothing, detailed shaping and finishing and a Parting tool to remove the finished piece from the waste wood.

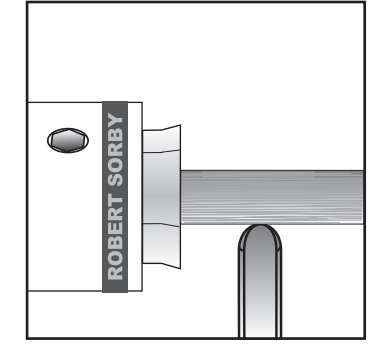
These tools are very user friendly with their simplicity of use and ease of maintenance together with the practical function of the interchangeability of the handle.



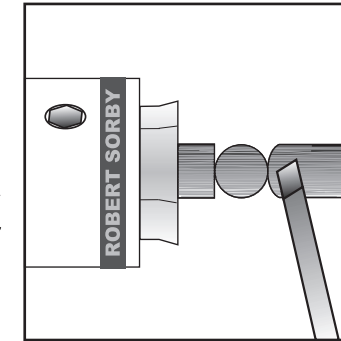
Always use eye protection and a form of dust mask as well as an air cleaner and dust extractor when doing any form of woodworking.



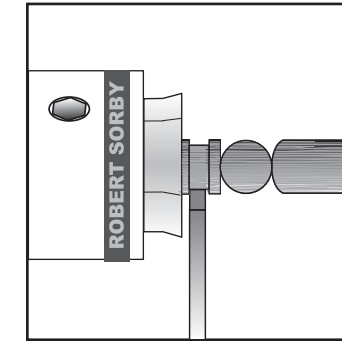
The three blades in this set are the Spindle Roughing gouge for initial waste removal and shaping, a Skew for smoothing, detailed shaping and finishing and a Parting tool to remove the finished piece from the waste wood.



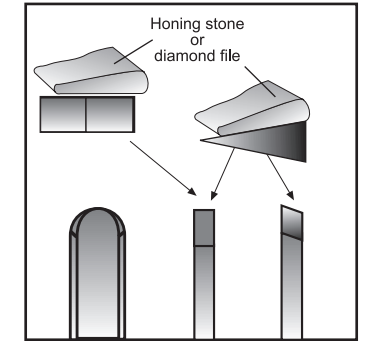
Place the Spindle Roughing Gouge onto the lathe tool rest and slowly turn the wood down the the required diameter.



The Skew can be used to make planing cuts to smooth the outer surface of the wood. It can also be used to turn the detail of the piece such as beads and plummels.



Always ensure the bevel of the Parting tool is in contact with the wood to enable a controlled cut to be achieved. This is best done by arcing the cut from the outside diameter to the centre. Also to reduce the friction apply a clearance cut.



Sharpen the Spindle Roughing gouge using the ProEdge or Deluxe universal sharpening system on a grinder. Use a diamond file or honing stone on the beveled faces and sides of the Parting tool and the bevelled faces of the Skew.