

AIRPRO MAX

USER INSTRUCTIONS



Document ref. number
MANU/AIR/PRO/M V1.0

Dear Customer,

Thank you for purchasing this Trend product, we hope you enjoy many years of creative and productive use.

Please remember to return your guarantee card within 28 days of purchase.

INTRODUCTION

The Airshield Pro Max is an innovative PAPR system that provides a unique all-in- one respiratory, head, face, eye and hearing protection solution. It provides integrated protection for users with an unrivalled level of comfort. Configurable for use in multiple applications including industry, construction, pharmaceutical and welding.

Please read this manual and then store it in a safe place for future reference.

The respirator must be fitted and used in accordance with these instructions to obtain the approved level of performance.



+44 1923 249911

If you require further safety advice, technical information or spare parts, please call Trend Technical Support or visit www.trend-uk.com

Declaration of Conformity available at:

https://www.trend-uk.com/product/AIR_PRO_M

Contents

USER INSTRUCTIONS.....	5
CAUTIONS	5
WARNINGS.....	5
GENERAL DESCRIPTION	8
APPROVAL FOR USE	9
Special conditions for safe use	9
SUITABILITY FOR USE	10
TRANSPORTATION	10
PREPARATION FOR USE	11
Battery charging.....	11
Battery charger advisory symbols' legend	13
Battery installation and removal	14
Visual inspection of breathing zone	14
HEPA filter fitting and checking the respirator	15
Low airflow indicator check	17
WEARING AND USING.....	17
Fitting the respirator.....	17
Crown strap adjustment	17
Quick release headband adjustment	19
Face seal	19
Activating respirator	20
Status indicator (LED)	20
Removing the respirator	22
SERVICING.....	22
Cleaning	22
Annual Servicing	24
Before disassembly.....	24
Replacing the face seal	24
Face shield replacement.....	25
Helmet shells	27

Head band assembly	27
Replacing the comfort pads	28
Brow infill removal and installation	29
High efficiency particulate air filter replacement	31
DISPOSAL	33
Disposal of respirator.....	33
Disposal of rechargeable battery.....	33
Disposal of contaminated filter	33
TROUBLESHOOTING	34
STORAGE (excluding battery)	34
TECHNICAL SPECIFICATION.....	35
Environmental range (storage and use, excluding battery).....	35
Power supply	35
Battery Charger.....	36
Filters	36
AIRPRO MAX DECONTAMINATION & RETURN PROCEDURE	36
SPARE PARTS.....	37
ACCESSORIES	38

USER INSTRUCTIONS

Please read these instructions and then store them in a safe place for future reference.

The respirator must be fitted and used in accordance with these instructions to obtain the approved level of performance.

CAUTIONS

- For adequate protection this respirator must fit or be adjusted to the size of the user's head.
- The respirator is made to absorb the energy of a blow by partial destruction or damage to the shell and the harness, and even though such damage may not be readily apparent, any respirator subjected to severe impact should be replaced.
- The attention of users is also drawn to the danger of modifying or removing any of the original component parts of the respirator, other than as recommended by the respirator manufacturer.
- Respirators should not be adapted for the purpose of fitting attachments in any way not recommended by the respirator manufacturer.
- Do not apply paint, solvents, adhesives or self-adhesive labels, except in accordance with instructions from the respirator manufacturer.

WARNINGS

- REPAIR IS BY REPLACEMENT OF DEFECTIVE PARTS ONLY.
- ONLY APPROVED **AIRPRO MAX** PARTS SHOULD BE USED.
- ALTERATIONS AND AFTER-MARKET MODIFICATIONS TO HEADWEAR PRODUCTS MIGHT COMPROMISE THE PROTECTIVE FEATURES OF THE HEADWEAR.
- RESPIRATORS MUST BE STORED IN ACCORDANCE WITH THESE INSTRUCTIONS. (INCLUDING DURING BREAK TIMES etc.) RESPIRATORS MUST BE REGULARLY CLEANED IN ACCORDANCE WITH THESE INSTRUCTIONS.
- RESPIRATORS MUST BE DECONTAMINATED IN ACCORDANCE WITH THESE INSTRUCTIONS.
- THE HEADBAND, CONCUSSION STRAP (Hard Hat only), FIXINGS AND MOUNTING POINTS FORM PART OF THE STRUCTURE OF THE RESPIRATOR. ENSURE THAT THE NEW ASSEMBLY IS FITTED CORRECTLY, OR THE INTEGRITY OF THE RESPIRATOR MAY BE COMPROMISED.
- PRIOR TO USE A FLOW CHECK MUST BE PERFORMED.

- DO NOT HOLD OR SUSPEND THE RESPIRATOR BY THE HEADBAND OR FACE SEAL.
- DO NOT WEAR THE RESPIRATOR IF THE AIR FLOW IS SWITCHED OFF.
- AT VERY HIGH WORK RATES THE PRESSURE IN THE DEVICE MAY BECOME NEGATIVE AT PEAK INHALATION FLOW.
- LONG HAIR MUST NOT BE TIED TO THE BACK OF THE USERS' HEAD TO USE THIS PRODUCT. TIED BACK HAIR MAY PROHIBIT THE NAPE RATCHET FROM WORKING CORRECTLY AND CAUSING THE RESPIRATOR TO BE INSECURELY FITTED ON THE USERS' HEAD.
- MATERIALS, WHICH MAY COME INTO CONTACT WITH THE WEARER'S SKIN COULD CAUSE ALLERGIC REACTION TO SUSCEPTIBLE INDIVIDUALS.
- SCRATCHED OR DAMAGED VISOR SHOULD BE REPLACED.
- HIGH SPEED PARTICLE IMPACT ON FACE SHIELD MAY TRANSMIT IMPACT ON STANDARD OPHTHALMIC SPECTACLES WORN UNDERNEATH.

The **AIRPRO MAX** is equipped with a High Efficiency Particulate Air Filter (P3/HEPA) and is powered by a re-chargeable battery incorporated into the respirator.

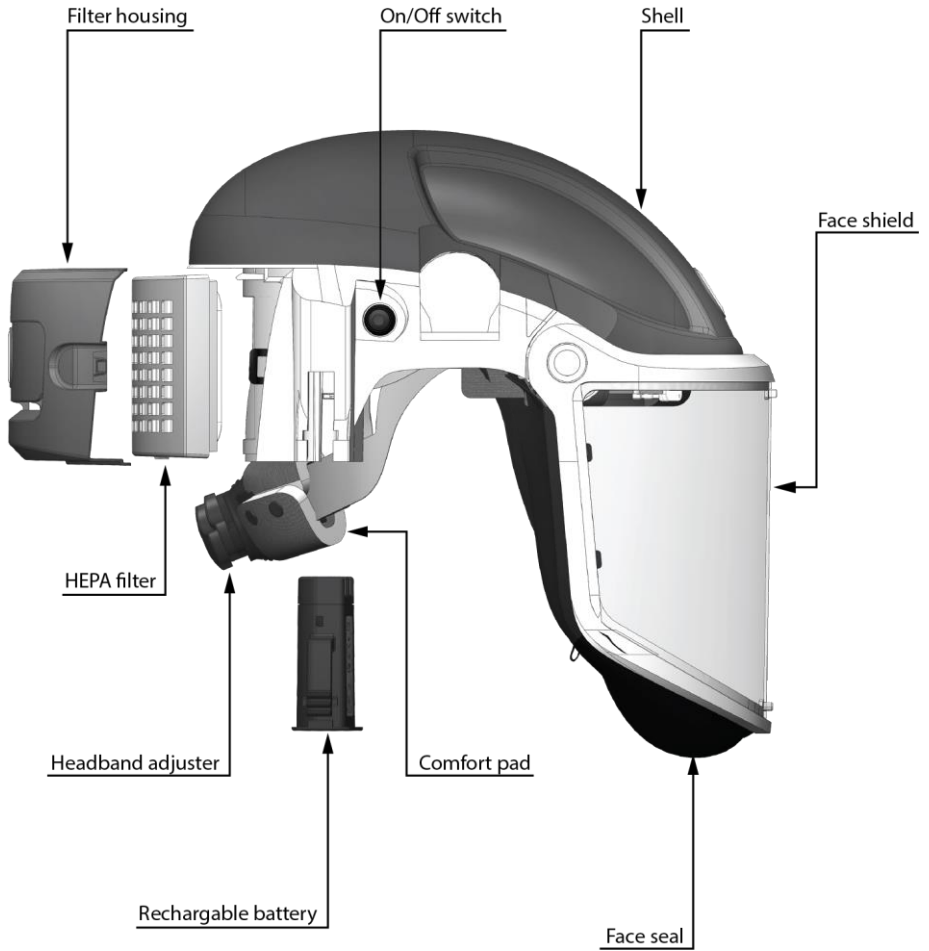
The respirator filters the surrounding air providing a flow of clean air into the user's breathing zone.

Depending on the model chosen, an adjustable face seal or a hood is designed to help to maintain a positive pressure within the respirator, preventing penetration of the ambient air.

NOTE: To avoid the danger of choking or suffocation please keep the respirator and associated components away from babies and children.

AIRPRO MAX contains an adjustable quick release headband ensuring a comfortable fit for head sizes between 53.5 cm and 63.5 cm.

AIRPRO MAX



GENERAL DESCRIPTION

The respirator must be fitted and used in accordance with these instructions to obtain the approved level of performance.

APPROVED AIRPRO MAX PARTS MUST BE USED.

The **AIRPRO MAX** respirator box contains the following items:

Item	Description	Part Number
Powered Air Purifying Respirator	Respirator module (TH3P)*. With hard hat and face shield	AIR/PRO/M
Filter	High Efficiency Particulate Air Filter. (THP3/HEPA)	AIR/PM/1
Rechargeable battery	Rechargeable Lithium-Ion high capacity battery.	AIR/PM/4
Battery charger	Mains and 12V inputs.	AIR/PM/5
Mains cable	Mains cable for the battery charger	WP-AIR/PM/09
Cleaning plugs	3 cleaning plugs	WP-AIR/PM/14
User instructions	Printed instructions for correct use of respirator	MANU/AIR/PRO/M V1.0
Storage Bag	Protective storage bag for respirator	AIR/PM/8
Tear-off visor protective film	Tear-off visor protective film, pack of 10	AIR/PM/3

Table 1

* TH3P – A powered filtering device incorporating a helmet or hood and a particulate filter (P3,) where the inward leakage of the complete device is $\leq 0.2\%$.

APPROVAL FOR USE

This product has been shown to meet the requirements of Annex V of the Personal Protective Equipment Regulation (EU) 2016/425 and is manufactured in accordance with Annex VIII Module D, and thus is CE marked.

Annex V and VIII assessments conducted by BSI Group The Netherlands B.V, Say Building, John M. Keynesplein 9 , 1066 EP, Amsterdam, Netherlands.

(Notified Body Number 2797)

Product assessed against the requirements of the following standards:

Respiratory Protection	EN12941:1998+A2:2008 – TH3P AS/NZ 1716: 2012
Eye / Face protection	EN 166:2002 – 1B3 AS/NZ 1337.1:2010
Head Protection	EN 397:2012+A1:2012 AS/NZ 1801-1997

Table 2

Declaration of Conformity available at:

https://www.trend-uk.com/product/AIR_PRO_M

Special conditions for safe use

1. The plastic helmet shell, transparent face shield and face seal could present a potential electrostatic risk. Suitable precautions should be taken to minimise this risk and the helmet should only be cleaned with a damp cloth.
2. Only battery Part No AIR/PM/4 should be fitted to the respirators.
3. The battery should only be recharged in a safe area.
4. **AIRPRO MAX** respirators are only tested to be used within the limited ambient temperature range (+5°C to +40°C).
5. The unit should not be worn in the power off state. No respiratory protection is to be expected and can result in rapid build-up of carbon dioxide and depletion of oxygen within the hood.
6. Marking on filters used on this device are in accordance with EN 12941 and do not relate to any other standards.

SUITABILITY FOR USE

This respirator must be used strictly in accordance with these instructions.

When using the approved **AIRPRO MAX** filter, the workplace concentrations of the vapour must not exceed the O.E.L. (Occupational Exposure Limit). **Intended for use against dusts, mists and aerosols.**

Available air filtration options:

- Pre-filter AIR/PM/2
- Odour pre-filter AIR/PM/5

Do not use this respirator for protection against unknown atmospheric contaminants.

Do not use this respirator when

- Concentrations of contaminants are unknown,
- Contaminants are immediately dangerous to life or health,
- Ambient atmosphere is likely to be deficient in oxygen.

Use this respirator only with the parts and accessories listed in these instructions.

The respirator is intended only for use by competent personnel.

Leave the contaminated area immediately if any of the following conditions apply:

- LED indicates red
- Any part of the respirator becomes damaged.
- Airflow into the respirator decreases or stops.
- Breathing becomes difficult.
- Dizziness or other physical distress or irritation occurs.
- The user tastes or smells contaminants.

Never modify or alter this product, except as directed in the service tasks contained in these instructions.

Materials, which may come into contact with the wearer's skin could cause allergic reactions to susceptible individuals.

TRANSPORTATION

For transportation purposes use the carry bag provided and protect the respirator from physical or chemical damage.

A protective durable bag is available as an accessory.

PREPARATION FOR USE

The following tasks must be performed prior to use:

Battery charging

Only charge the battery in a safe area free from sources of flame and sparks, temperature between +5°C and +40°C.

NOTE: Do not use mains supply and 12V supply at the same time.



Figure 1A

If using mains electricity to charge the battery, use the appropriate power cable relating to country of use.

Insert the power cable plug into the mains supply and the charger, then switch on the supply.

(Figure 1A)

If using a 12V supply (vehicle, site supply, etc.) to charge the battery, use the appropriate 12V power cable (SOLD SEPARATELY).

Insert the 12V power cable plug into the charger and the power supply then switch the power supply on, if applicable.

(Figure 1B)

NOTE: Centre positive power cable must be used.

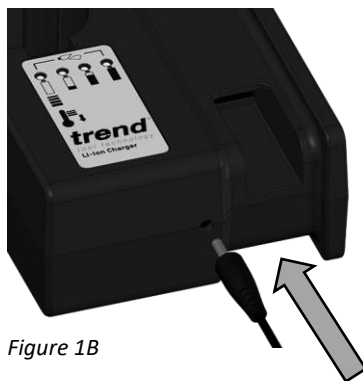


Figure 1B

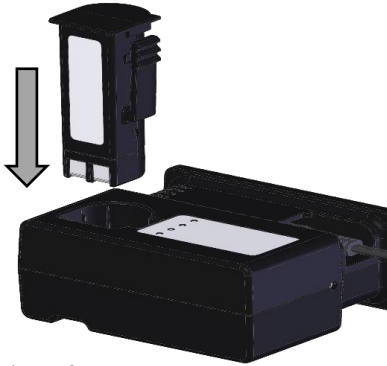


Figure 2

Insert the battery as shown in Figure 2.

Ensure the battery fully 'clicks' into position.

For more information check 'TROUBLESHOOTING' section on page 34.

NOTE: It is normal for the battery and charger to get warm during use.

Observe the status indicator LEDs. (Figure 3)

The following indications and warnings may be given during charging:

Mode/Display	LED1 red	LED2 green	LED3 green	LED4 green
No battery	Off	Off	Off	On
Low/high temp.	Flashing	Off	Off	Off
Pre-charging	On	Off	Off	Off
Constant current charging	On	Off	Off	Off
Constant current charging after 25 min	Off	On	Off	Off
Constant voltage charging	Off	On	On	Off
Battery full	Off	On	On	On
Battery failed	Flashing	Off	Off	Flashing

Table 3

The nominal recharge time for a battery is below 2 hours.

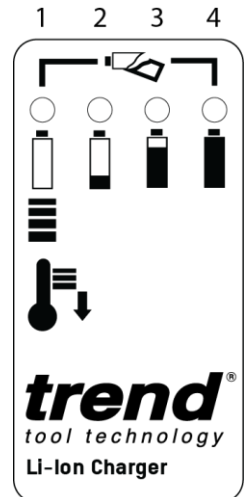


Figure 3

When to recharge

Do not force the PAPR/Unit to restart after auto-shut down following a low battery alarm. Doing so may ‘deep discharge’ the battery, which will permanently reduce available capacity.

Battery charger advisory symbols’ legend











	<p>European Conformity – product meets the requirements of applicable EU directives.</p>
	<p>At the end of the service life, this product shall not be discarded with the municipal waste but needs to be disposed of using separate collection, treatment, recovery/recycling and environmentally sound disposal.</p>
	<p>Product is double insulated. (Insulation Class II).</p>
	<p>Product is designed for indoor use.</p>
	<p>Read Operator’s Manual</p>
	<p>Battery charger terminal polarity.</p>
	<p>Fuse link</p>
	<p>RCM compliance.</p>
	<p>TÜV Rheinland approved.</p>
	<p>California Energy Commission compliant.</p>

Table 4

Battery installation and removal

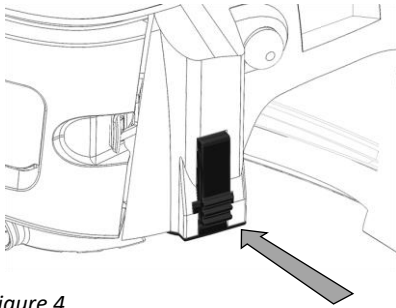


Figure 4

Remove battery by pushing lightly on the release area indicated.

(Figure 4)

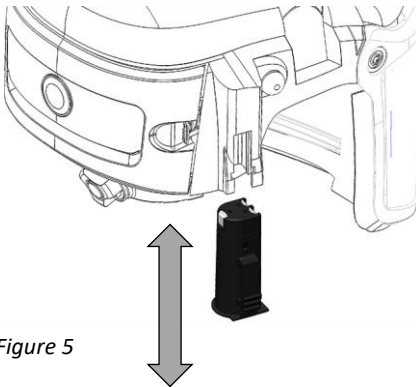


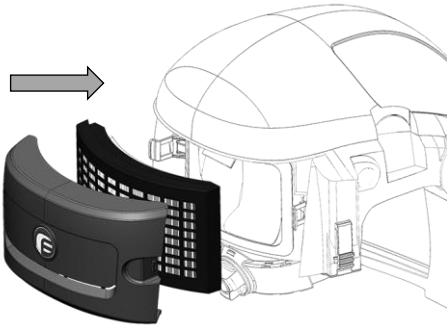
Figure 5

Observing the orientation as shown in Figure 5 install a fully charged battery into the respirator until the battery fully clicks into position.

Visual inspection of breathing zone

- Check the face seal for damage.
- Check the face seal engages properly into the frame. If the face seal cannot be retained securely in the face shield frame, a new face seal must be fitted. See section 'Replacing the face seal' on page 24.
- Check the quick release headband is properly installed. Replace any damaged parts including scratched or damaged face shield.

HEPA filter fitting and checking the respirator



Ensure that the high efficiency particulate (HEPA) filter is installed correctly as shown in Figure 6

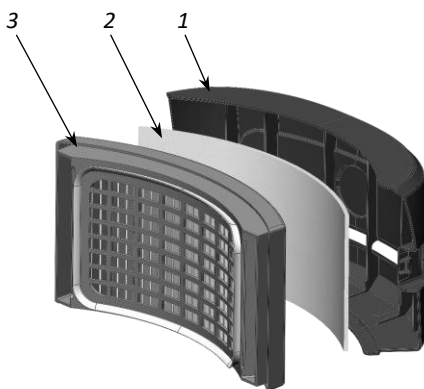
When fitting the filter element into the filter housing, observe that the filter label faces upwards as worn.

Then applying firm pressure, click to engage the filter housing with the two filter latches.

Figure 6

If a pre-filter is to be used, ensure this is positioned inside the filter housing prior to fitting the HEPA filter.

More information in section 'High efficiency particulate air filter replacement' on page 31.



Correct positions of filters:

1. *Housing*
2. *Odour / Pre-filter*
3. *HEPA filter*

Figure 7



Figure 8

Check that the air inlet is clean and free from any obstructions. (Figure 8)

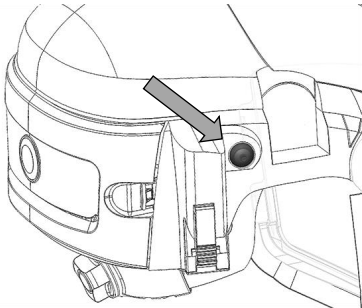


Figure 9

Activate the respirator with the on/off switch as shown in Figure 9, noting the LED display. (Figure 10)

If the respirator is working correctly, status indicator LED (Figure 10(1)) will illuminate green.

The respirator is then ready to use.

If status indicator LED is RED proceed to '**Troubleshooting**' section on page 34.

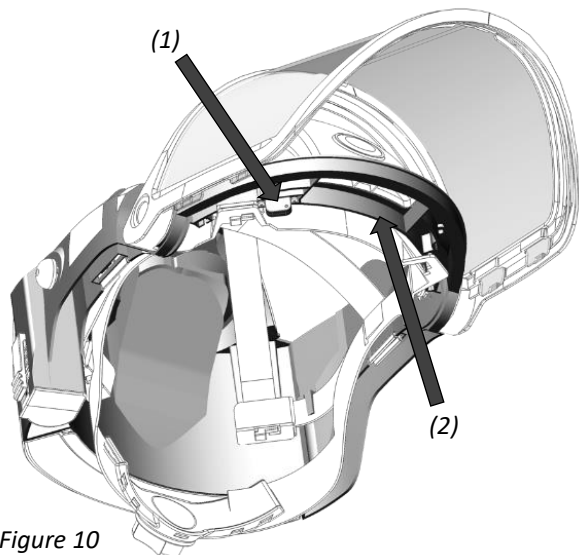


Figure 10

Low airflow indicator check

Before using the respirator perform a low airflow indicator check:

1. Ensure that the HEPA filter has been installed correctly as shown in Figure 7 on page 15.
2. Activate the respirator with the on/off switch as shown in Figure 9 and perform the following test, noting the LED indicator.
3. Use your hand to block the airflow outlet as shown in Figure 10(2). If the respirator is working correctly the fan will increase in speed.
4. Within approximately 10 seconds the LED indicator will turn from GREEN to RED.
5. The RED LED indicates low air flow.
6. Remove your hand from the air inlet.
7. Switch the respirator off using the on/off switch as shown in Figure 9 to cancel the test.
8. Activate the respirator with the on/off switch once again before use.

WEARING AND USING

Fitting the respirator

To achieve an optimal level of respirator performance, follow the fitting instructions below.

CROWN STRAP ADJUSTMENT

Before first use, adjust the crown height by adjusting the crown strap following Figure 11-Figure 15.

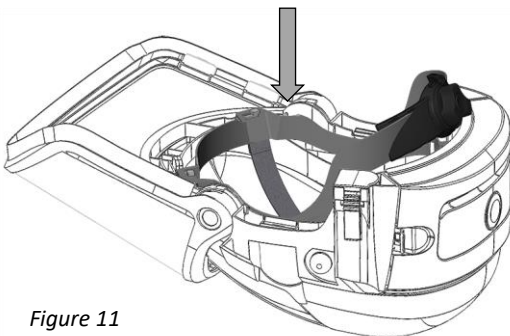
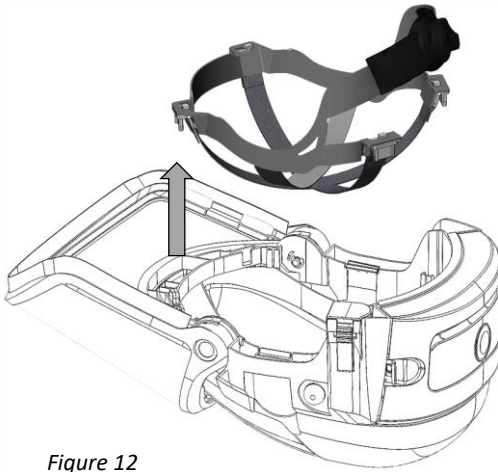


Figure 11

Release the headband mounts from the 4 attachment posts in the respirator frame (Figure 11) by pressing the release clip. If this is difficult to do it with a finger, use a suitable aid.



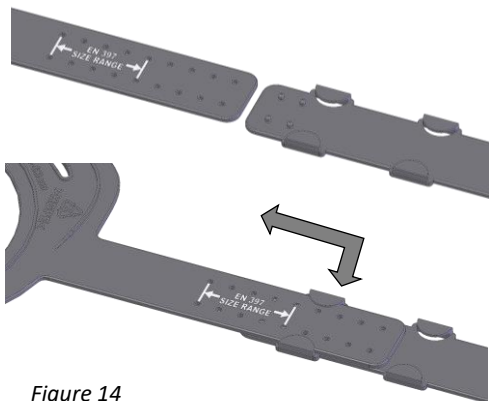
Remove the headband from the respirator. (Figure 12)

Figure 12

Unfasten and remove the crown pad to access the adjustment straps. (Figure 13)



Figure 13



Adjust the length of the strap as required ensuring that the four locations pegs are within the highlighted EN397 range of adjustment (Figure 14).

This position will ensure correct head ventilation for the product.

Figure 14

Reposition the crown pad on the headband strap.

Re-attach headband in reverse order.

Refer to 'Brow infill removal and installation' section on page 29.

Re-attach face seal press fastener to the mating press fastener on the face seal.

Ensure the elastic strap is routed around the headband.

NOTE: Do not hold or suspend the respirator by the headband or face seal.

QUICK RELEASE HEADBAND ADJUSTMENT

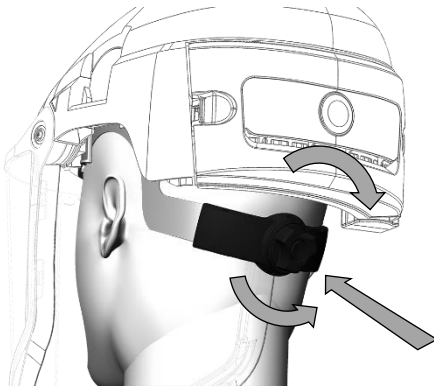


Figure 15

For comfort and security, the quick release headband must be adjusted each time prior to entering the work environment. (Figure 15)

Modify the headband size using the headband adjuster:

- To tighten - rotate the adjuster clockwise.
- To loosen – press the adjuster and rotate counter-clockwise.

FACE SEAL



Figure 16

Firmly close the face shield, before adjusting the face seal.

Ensure that the face seal is pulled under the chin and is not twisted or folded. (Figure 16).

Activating respirator

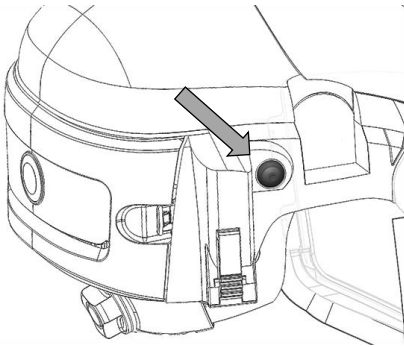


Figure 17

Switch the respirator on using the on/off switch. (Figure 17)

WARNING: **DO NOT USE THE RESPIRATOR** if LED status indicator illuminates **RED**. Refer to 'Troubleshooting' section on page 34.

Status indicator (LED)

(All filter types)

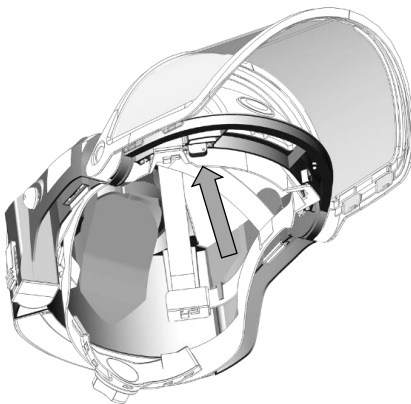


Figure 18

When LED (Figure 18) illuminates green it indicates that respirator is in a useable condition.

If LED illuminates red, an immediate action is required.

Never enter the working environment with LED illuminated red.

Refer to Troubleshooting' section on page 34.

Users must also consider whether the filter and battery have sufficient life for the planned time in the work environment.

The following indications are given when switching on the respirator:

Condition	LED light	
	Red	Green
Starting sequence – investigation required. Respirator is NOT USABLE.	On	Off
Respirator is in a useable condition	Off	On

Table 5

The following warnings may be given during operation:

Condition	LED light	
	Red	Green
High efficiency particulate (HEPA) filter ready for replacement – change filter as soon as possible.	On	Off
Airflow cannot be maintained stop work immediately, leave a contaminated area and replace HEPA filter.	On	Off
Low battery - stop work immediately; leave contaminated area and replace battery.	On	Off
System fault (abnormal warning)	Off	Off

Table 6

Removing the respirator

Do not remove the respirator until you have vacated the contaminated area.

1. Before taking the respirator off, loosen the quick release headband by pressing the ratchet button (Figure 15) and simultaneously rotating the ratchet counter-clockwise.
2. Pull the face seal away from the chin to allow easy removal of the respirator.
3. Remove the respirator. Press the on/off switch to switch the respirator off.
4. If special decontamination procedures are required, take appropriate precautions and place the respirator in a suitable sealed container.
5. Otherwise clean the respirator as indicated on page 22 after every use.

SERVICING

Cleaning

Remove respirator from user's head before cleaning.

WARNING: Never use pressurised air on any part of the respirator.

- Before cleaning remove face seal, brow pad, brow seal, crown pad, nape pad, nape spacer, HEPA filter with cover along with the rechargeable battery. Insert provided cleaning plugs as shown at Figure 19 – Figure 21.
- Do not turn the respirator upside down and fill any area or cavity with liquids.
- For respirators with contamination, ensure that the face shield is down and respirator is upright. Clean using a clean cloth with a mild solution of a household liquid soap and water. For ingrained dirt on the outside of the respirator (excluding visor), a nailbrush or ultrasonic brush may be used. Dry the respirator with a clean lint free cloth - do not use a heat source.
- Wipe the inside & outside of the respirator. **PUREWIPE** cleaning wipes are recommended for this purpose.
- Do not immerse the respirator in water or any fluid.
- Do not use organic solvents or abrasive cleaning agents on any part of the respirator.
- Disposal and cleaning of parts should be undertaken in accordance with local health and safety, and environmental regulations.
- If the respirator has been used in an area that has caused it to become contaminated with a substance requiring special decontamination procedures, observe the precautions described in the manufacturer's health and safety information.

NOTE: For further advice and support on fitting and cleaning procedures please contact Customer Services.

Air outlet cleaning plug.

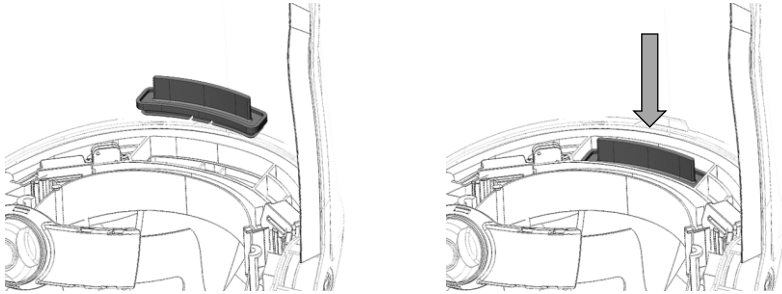


Figure 19

Air inlet cleaning plug.



Figure 20

Battery cavity cleaning plug.

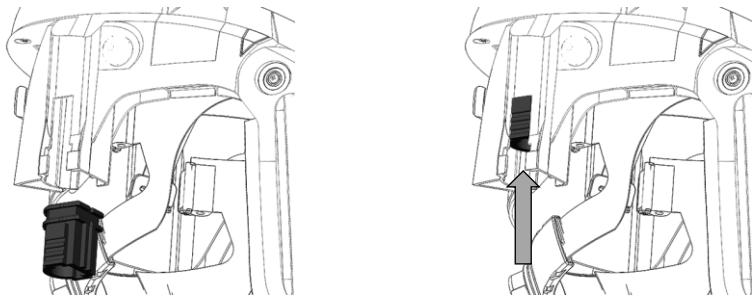


Figure 21

Annual Servicing

Please note that all **AIRPRO MAX** respirators should be serviced annually.

For further details on your nearest **AIRPRO MAX** authorised servicing centre details, visit our website <http://www.trend-uk.com>.

NOTE: Repair is only by replacement of defective parts in accordance with manufacturer instruction.

Before disassembly

Before disassembly or filter replacement, always clean contamination from the respirator in accordance with the cleaning instructions on page 22.

Replacing the face seal

Detach press fastener from face seal and remove elastic from around headband (left and right). Detach press fasteners from face shield frame (left and right).

Remove an old face seal by pulling the rubber seal out of the face shield channel.

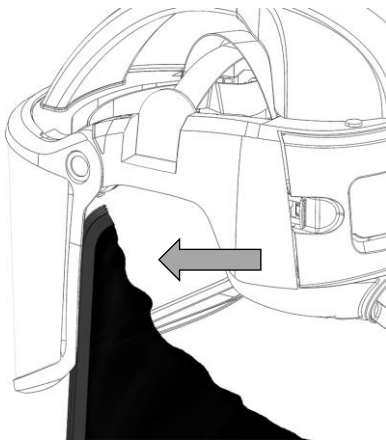


Figure 22

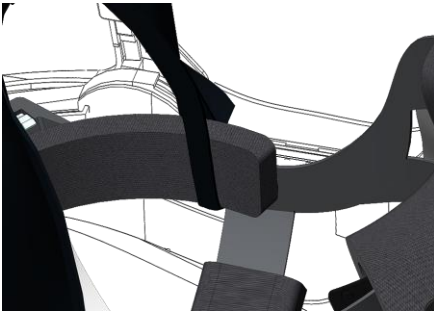
Fit the new face seal by attaching the press fastener to the mating press fastener on the face shield frame.

Ensure pull tab is on the outside of the face seal

Starting at the very top of the face shield frame channel, firmly press the ribbed edge strip fully into the channel in the face shield frame.

Continue pressing in the ribbed edge strip until you reach the end of the channel.

Finish by attaching the press fastener on the other side of the face shield frame. (Figure 22)



Route the elastic from inside the headband to the front of the crown strap around the headband.

Then route the elastic between the headband and the frame.

Fasten the elastic onto the face seal (left and right).

(Figure 23)

Figure 23

Reattach the press fastener to the face seal after routing the elastic around the headband (left and right).

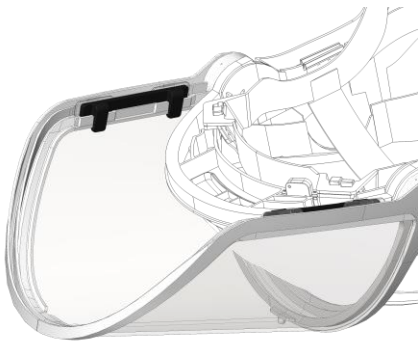
NOTE:

Ensure that the ribbed edge strip remains fully inserted into the face shield frame channel.

Face shield replacement

Replace an old or damaged face shield as shown in Figure 24 – Figure 28.

Face shields should be stored out of direct sunlight and replaced at least every 5 years or according to local regulations, whichever is soonest.



Turn the respirator upside down to gain access to the face shield retainer clips. (figure 24)

Figure 24

Insert a flat blade screwdriver (or similar) into the slot to disengage the clips from both sides of the face shield as shown. (Figure 25)

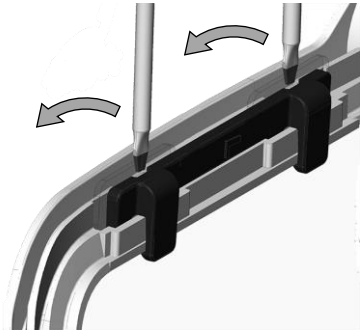


Figure 25

Release the face shield retainer clips from each side of the frame (Figure 26)

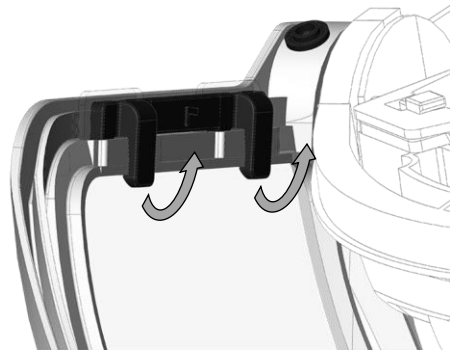


Figure 26

Remove clips from both sides of the face shield frame as shown. (Figure 27)

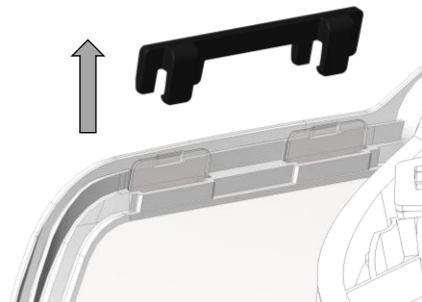
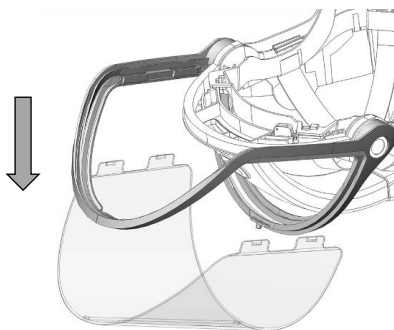


Figure 27



Remove face shield from the frame.
(Figure 28)

Figure 28

Carefully reassemble, fitting the new face shield in reverse order. Tools are not required for reassembly.

Helmet shells

Helmet shells must only be replaced by an authorised service centre. If the hard hat has sustained an impact, it should be replaced immediately, even if the damage is not visible. Once the hard hat has been impacted, the materials may be weakened and may no longer provide its intended impact and penetration resistance. When subjected to an impact, return the complete respirator to a Service Centre for assessment.

The respirator should be stored out of direct sunlight and the helmet shell should be replaced every 5 years.

Head band assembly

WARNING: The headband, concussion strap (Hard hat only), fixings and mounting points form part of the structure of the helmet. Ensure that the new assembly is fitted correctly, or the integrity of the respirator may be compromised.

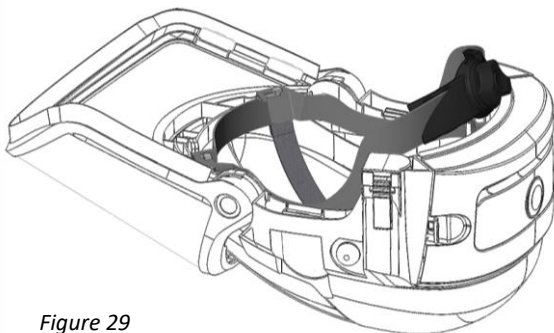


Figure 29

Remove the headband as per instruction on pages 17-19, in section 'Crown strap adjustment'

Refit new head band in reverse order as shown on pages 17 and 18 'Crown strap adjustment'.

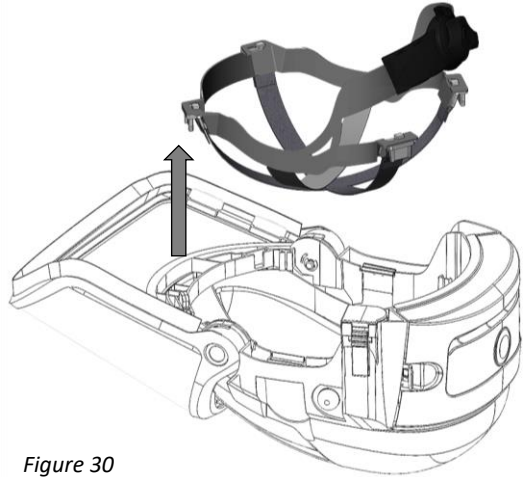


Figure 30

Replacing the comfort pads

Brow pad

Remove brow comfort pad by pulling away from the 'hook and loop' retaining strip. Place the new brow pad onto the 'hook and loop' strip. Ensure the brow pad is placed centrally to the front of the headband so that it sits equally left and right to the user's head.

Ensure the 'perforated' side of the brow pad is facing the user's skin.

Crown pad

Detach press fasteners from crown comfort pad and remove from headband.

Wrap new crown pad around crown section of headband and secure press fasteners.

Ensure the 'perforated' side of the crown pad is facing the user's skin.

Note: To assist with changing the crown pad it may be necessary to remove the headband. Follow steps 1 and 2 in the section 'Crown strap adjustment' on page 17-18 to remove the headband from the respirator frame if required.

Nape pad

Detach press fasteners from nape comfort pad and remove from headband.

Retain nape pad if this is not being replaced.

Place new nape pad, if being replaced, onto headband adjuster and wrap new nape comfort pad around headband adjuster and secure press fasteners

Ensure the 'perforated' side of the nape pad is facing the user's skin.

Brow infill removal and installation

The infill is positioned at the front of the respirator between the headband and the frame with the concussion straps (if fitted) located inside, relative to the infill.

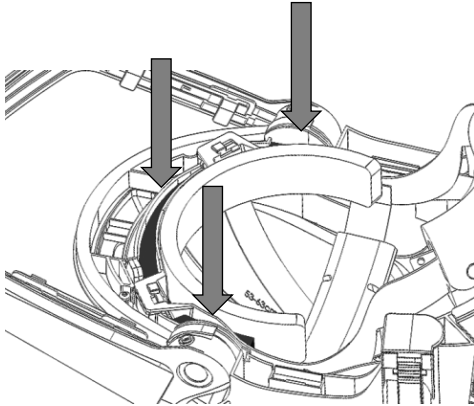


Figure 31

Remove the brow infill by turning respirator upside down to gain access to the headband. Then push on the infill between the headband and the frame. (Figure 31)

The infill is retained with low tack adhesive strips.

To fit the new infill first turn the respirator upside down to gain access to the headband. (Figure 32)

Ensure correct orientation of the infill prior to fitting.

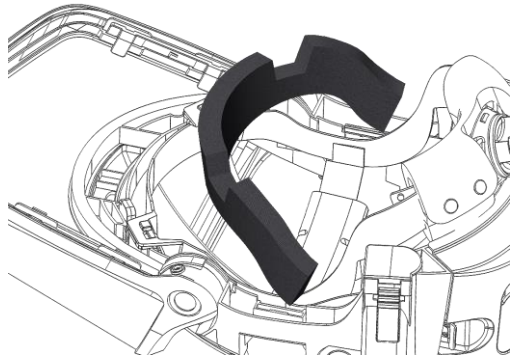


Figure 32

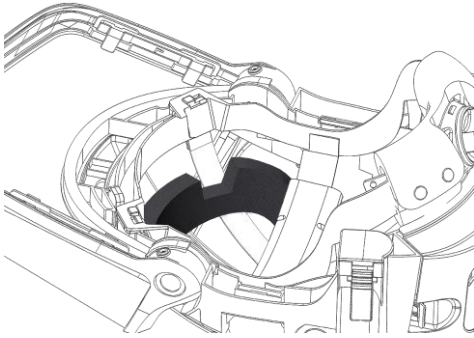


Figure 33

Remove adhesive tape backing strip then place the infill inside the respirator frame and position under the headband and, if fitted, above the concussion straps. (Figure 33)

Push the infill in between the headband and the frame ensuring the infill is pushed up to the edge of the headband and it sits onto the frame. It may be necessary to pull the headband away slightly from the frame to correctly position the infill. The low tack adhesive strips will hold the infill in position. (Figure 34)

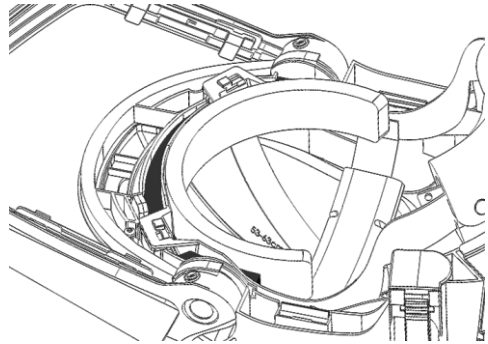


Figure 34

High efficiency particulate air filter replacement

When the status indicator LED illuminates RED, further investigation is required regarding condition of a filter and a battery. If no fault on battery has been found, the high efficiency particulate (HEPA) filter must be replaced.

Install a new HEPA filter as shown in Figure 35-Figure 39 and Figure 7 on page 15.

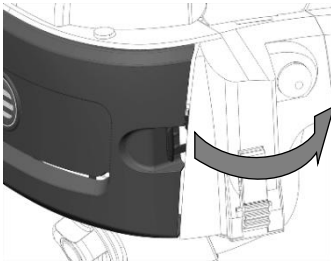


Figure 35

Remove the respirator.

Turn off the respirator and open the filter cover, by releasing the latches on both sides of the respirator as shown in Figure 35 – Figure 36.

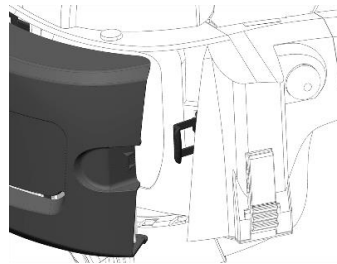


Figure 36

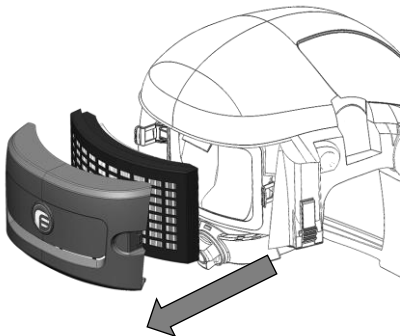


Figure 37

Remove filter cover (Figure 37).

Remove contaminated HEPA filter, odour filter/pre-filter and hood anti-recirculation gasket, as applicable.

Dispose of contaminated items according to local regulations.

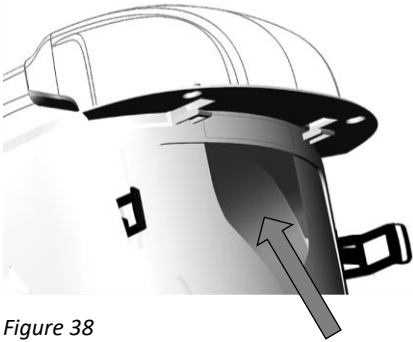


Figure 38

NOTE:

Do not allow any dirt or elements, which may obstruct the air flow to enter the air inlet. (Figure 38)

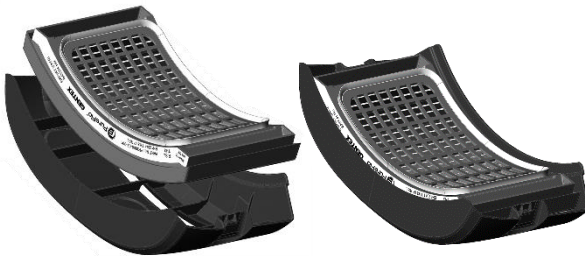


Figure 39

Make sure that the HEPA filter is fitted correctly into a filter cover housing with filter label facing upwards as fitted to the respirator. (Figure 39)

If pre-filters are to be used, these must be placed in the filter housing before the HEPA filter is fitted as shown on pages 15 - 16

Fit new HEPA filter before refitting the filter cover into its original position on the respirator.

DISPOSAL

Disposal of respirator

This product should not be mixed with general household waste. For proper treatment, recovery and recycling, please take this product(s) to designated collection points where it may be accepted free of charge.

Alternatively, in some countries you may be able to return your products to your local retailer upon purchase of an equivalent new product.

Disposing of this product correctly will help save valuable resources and prevent any potential negative effects on human health and the environment, which could otherwise arise from inappropriate waste handling.

Please contact your local authority for further details of your nearest designated collection point.

Penalties may be applicable for incorrect disposal of this product, in accordance with your national legislation.

Alternatively, please contact your dealer or supplier for further information.

Disposal of rechargeable battery

Dispose in accordance with all applicable regulations.

Disposal of contaminated filter

Dispose in accordance with all applicable regulations.

TROUBLESHOOTING

Problem	Possible Reasons	Corrective actions
LED is RED when switched on	Low battery	Remove battery and charge
	Air flow too low	Remove HEPA filter and replace
LED does not illuminate when switched on	Battery is drained	Remove battery and charge
	Respirator is faulty	Return to service centre for repair
Headband does not tighten	Adjuster damaged	Replace headband
	Ratchet damaged	Replace headband
Battery charger does not switch on or charge the battery	Mains electrical supply not active	Check mains electrical supply
	Fuse in plug blown (if applicable)	Replace fuse
	Vehicle/site power supply not active	Check vehicle/site power supply
	Fuse in 12V plug broken	Replace fuse
	Battery damaged	Replace battery

Table 7

STORAGE (excluding battery)

The respirator should be stored in dry, clean conditions away from direct sunlight, sources of heat, petrol and solvent vapours. Store in accordance with the guide below.

Respirator should be stored in the bag provided, when not in use.

TECHNICAL SPECIFICATION

Weight	Nominal 1.5kg Weight may increase with certain accessories fitted.
Head Size Range	53.5 cm – 63.5 cm
Airflow	Initial flowrate: >220 l/min
	Minimum flowrate: 190 l/min

Environmental range (storage and use, excluding battery)

Humidity	0-90% for storage and use (Store out of direct sunlight.)
Temperature Range	Use +5°C to +40°C
	Storage -20°C to +50°C

Power supply

WARNING: General precautions for using Lithium-Ion batteries apply.

Battery Pack	Single cell Lithium-Ion battery
Capacity	nominal 3500mAh discharge at 0.2C
Nominal Voltage	3.6V±5%
Standard Charge Voltage	4.2V±1%
Ambient temperature	+5°C... +40°C charge -20... +60°C discharge -20...+30°C storage max. 1 year
Standards	UN 3480, CE
Battery life	Respirator is supplied with 2 batteries. If fully charged, each battery provides power for min 4 hours respirator performance.
Charging	Mains charger, max. 2 hrs from fully discharged

Battery Charger

Input	100 - 240 volts AC / 50 - 60 Hz 10V-16DC
Output	3.7 volts DC / 2100 mA
Operational Temperature	-15°C... +50°C
Charging Temperature	+5°C... +40°C
Storage Temperature	-15°C... +50°C
Case Protection	IP41

Filters

TH3P R SL	For use against solid and liquid aerosols
R	Reusable
SL	Solid Liquid Aerosols

AIRPRO MAX DECONTAMINATION & RETURN PROCEDURE

WARNING: Never use pressurised air on any part of the respirator.

Please contact Customer Services to confirm decontamination and return procedures.

Trend Machinery & Cutting Tools Ltd.

Odhams Trading Estate
St Albans Road
Watford
WD24 7TR
England
Tel: 0044(0)1923 249911
technical@trendm.co.uk
www.trend-uk.com

SPARE PARTS



Description	Type	Part Number
Visor (Face Shield)	Spare	AIR/PM/01
Face Seal	Spare	AIR/PM/02
Complete Headband Assembly	Spare	AIR/PM/03
P3 HEPA Filter	Spare	AIR/PM/1
Rechargeable Battery	Spare	AIR/PM/4
Battery Charger UK	Spare	AIR/PM/5/UK
Protective Carrier Bag	Spare	AIR/PM/8

Table 8

ACCESSORIES

Description	Type	Part Number
Odour pre-filter	Accessory	AIR/PM/5
Pre-filter	Accessory	AIR/PM/2
Tear-off visor protective film x 10	Accessory	AIR/PM/3
Disposable wipes PUREWIPE	Accessory	WP-AIR/PM-13
Ear defender infills	Accessory	WP-AIR/PM-20
Ear defenders SNR 30	Accessory	AIR/P/6A
12V power cable	Accessory	AIR/PM/7
COSHH data sheet for rechargeable battery	Accessory	WP-AIR/PM-19

Table 9