



AIR/PRO

EN	<i>Original Instructions</i>	P.6
DE	<i>Übersetzung Der Originalanleitung</i>	P.11
FR	<i>Traduction Des Instructions Originales</i>	P.17
NL	<i>Vertaling Van De Originele Instructies</i>	P.23
SE	<i>Översättning Av De Ursprungliga Instruktionerna</i>	P.29
IT	<i>Istruzioni originali</i>	P.34
PL	<i>Oryginalne instrukcje</i>	P.40
ES	<i>Instrucciones originales</i>	P.46



Fig. 1

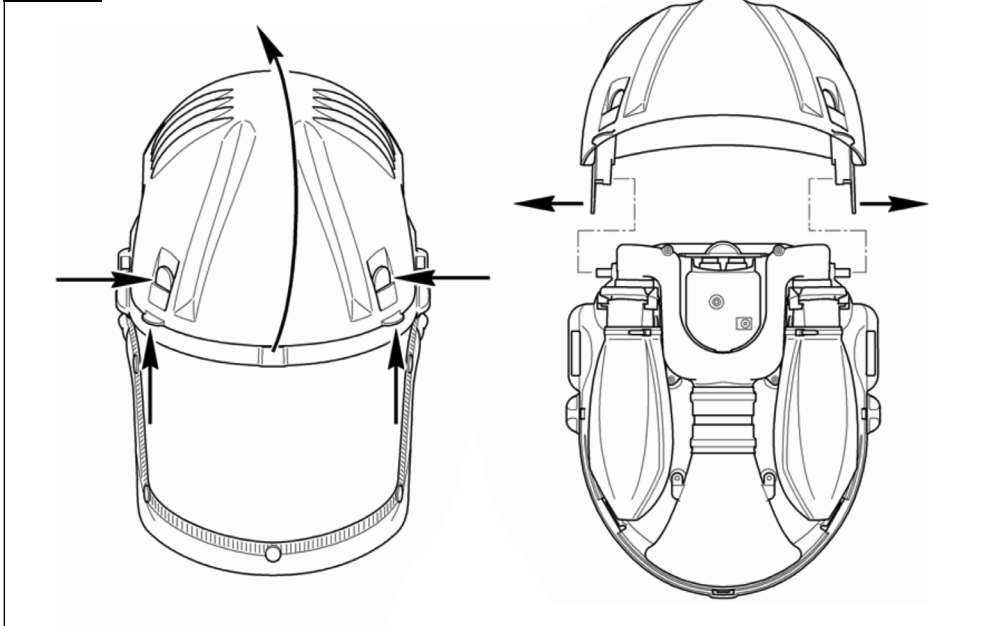


Fig. 2

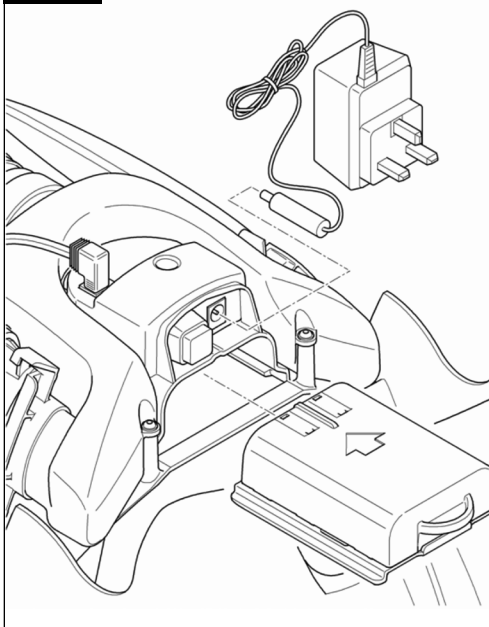


Fig. 3

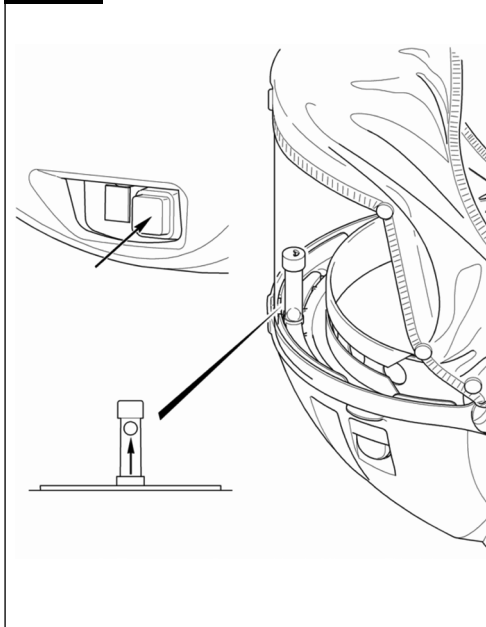


Fig. 4

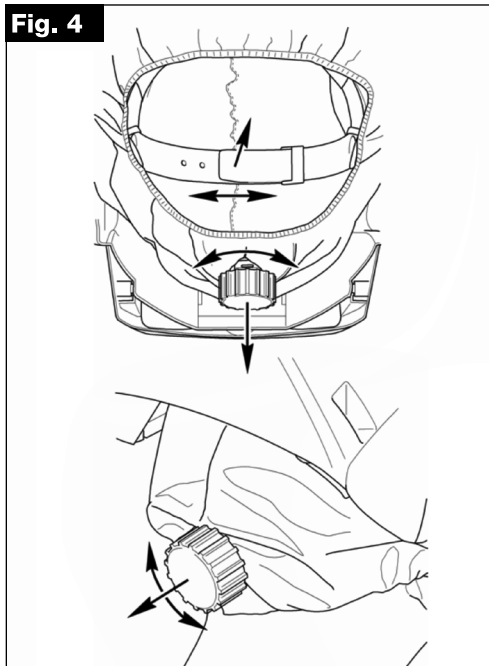


Fig. 5

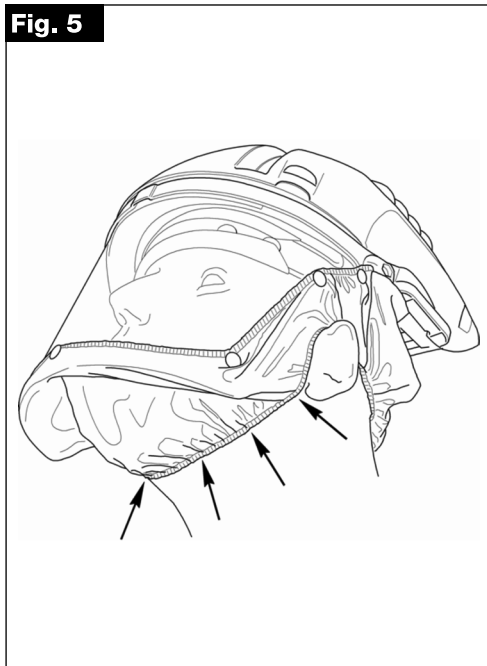


Fig. 6

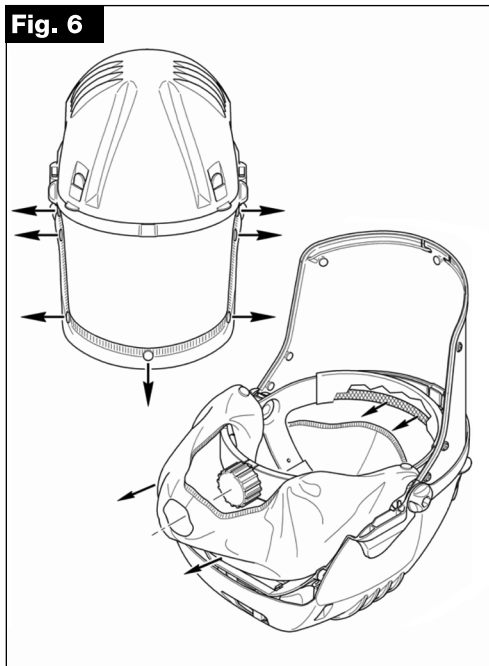


Fig. 7

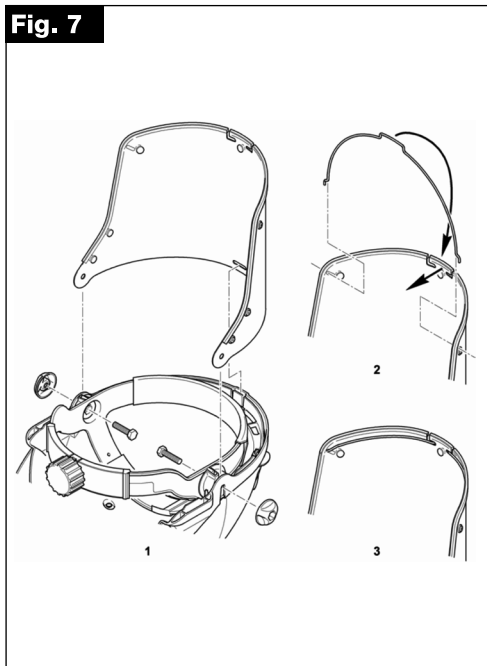


Fig. 8

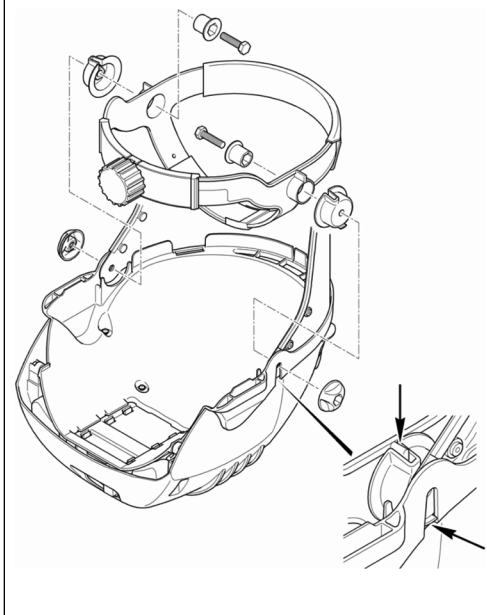


Fig. 9

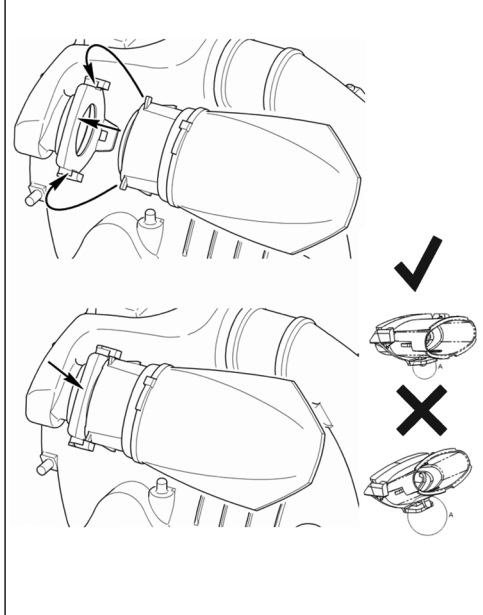


Fig. 10

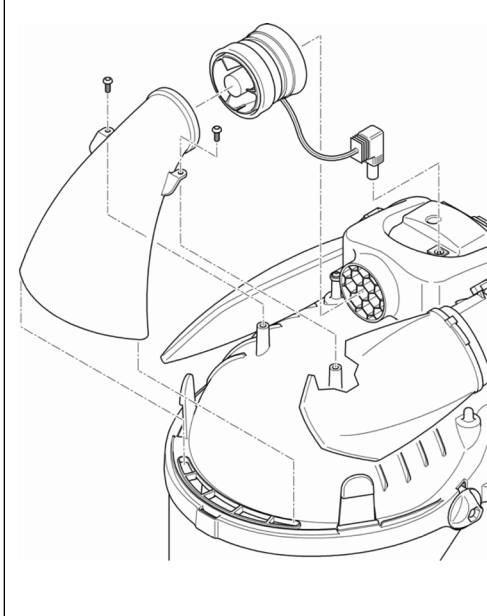


Fig. 11

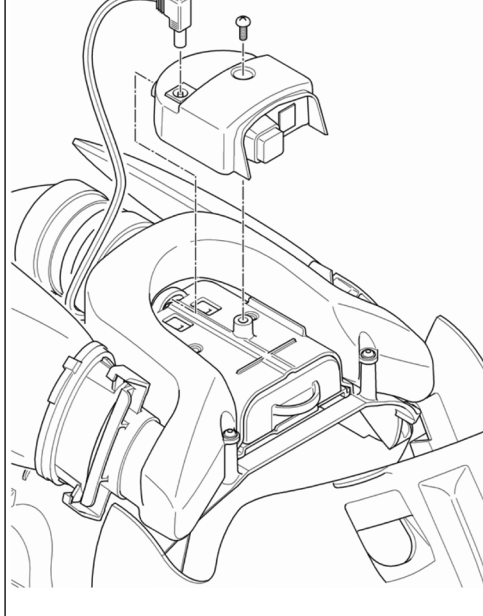
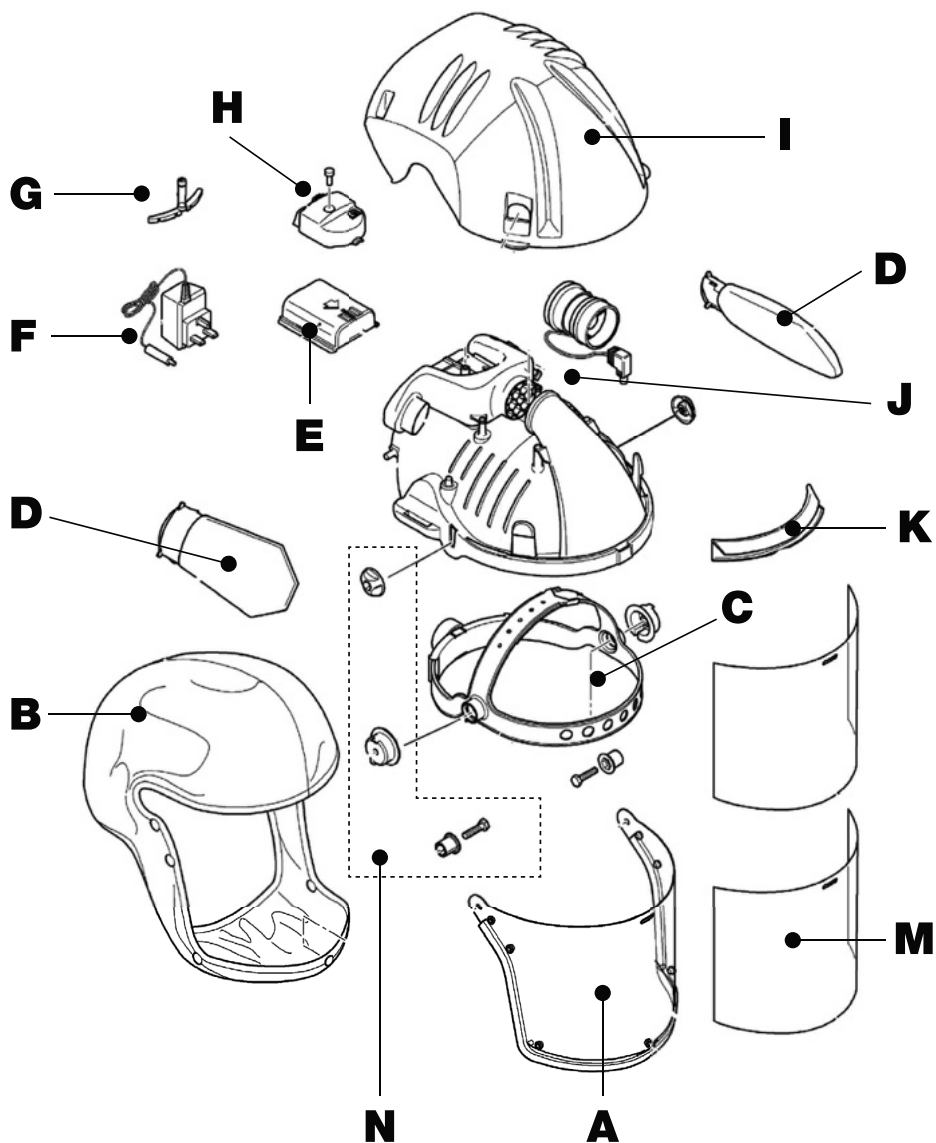


Fig. 12



EN - AIR/PRO

USER INSTRUCTIONS

Please read these instructions and then store them in a safe place for future reference. The respirator must be fitted and used in accordance with these instructions in order to obtain the approved level of performance.

INTRODUCTION

The Airshield Pro is a self-contained, lightweight Powered Air Purifying Respirator intended for protection against solid aerosols only. This is combined with eye protection from impact and liquid splash.

The Airshield Pro is powered by a rechargeable battery pack held inside the respirator. Air is filtered through the respirator to provide a constant flow of clean air over the face. A face seal ensures that positive pressure is maintained within the respirator.

The Airshield Pro has an adjustable headband and concussion cradle, ensuring a comfortable fit for most head sizes.

GENERAL DESCRIPTION

The Airshield Pro unit should contain the following items:

Quantity	Description
1	Airshield Pro complete
1	Airflow indicator
1	Pair of TH2P filters
1	8 Hour rechargeable battery
1	Battery charger
1	Disposable visor overlay – Clear (may already be fitted)
1	Pair of ear defender clips
1	Carry bag
1	COSHH Record card (UK only)
1	Instruction manual

CE UK CA APPROVAL FOR USE

This product has been assessed by BSI Group The Netherlands B.V, John M. Keynesplein 9, 1066EP Amsterdam, The Netherlands (Notified body No. 2797) to show it meets requirements of Annex V (module B) of the European Regulation EU2016/425. It has also been assessed by BSI Group UK, Davy Avenue, Knowlhill, Milton Keynes, MK5 8PP, UK (Approved Body No. 0086) to show it meets requirements of UK PPE Regulation (EU)2016/425 (as retained in the UK law and amended).

This product is manufactured in accordance with Annex VIII (module D) of PPE Regulation EU2016/425 quality monitoring system, hence it is CE and UKCA marked. Quality system surveillance is carried out by BSI Group UK (Approved Body No. 0086).

The EU & UKCA declaration of conformity can be found at www.trend-uk.com/declarations-of-conformity



Respiratory Protection:

- EN 12941:1998+A2:2008, respiratory devices, powered filtering devices class TH2P.
- For use against solid particulates only.



Eye Protection:

- BS EN 166: 2002, personal eye protection.
- Class 1B3.
- Optical class 1; high-speed particles - medium energy impact, B; liquid droplets and splashes, 3.

CE DECLARATION OF CONFORMITY ROHS DIRECTIVE

This product conforms with ROHS Directive 2011/65/EU.

UK DECLARATION OF CONFORMITY CA ROHS

This product conforms with UK Statutory Instruments 2012 No. 3032 - The Restriction of the Use of Certain Hazardous Substances in Electrical and Electronic Equipment Regulations 2012 (as amended).

SUITABILITY FOR USE

This respirator must be used strictly in accordance with these instructions.

Do not use this respirator for protection against unknown atmospheric contaminants or when concentrations of contaminants are unknown or immediately dangerous to life or health, or in atmospheres likely to be deficient in oxygen.

Only use this respirator with the parts and accessories listed in these instructions. The respirator is only for use by trained, competent personnel.

In the power-off state little or no respiratory protection is to be expected, and this is considered to be an abnormal situation.

In the power-off state there will be a rapid build up of carbon dioxide and depletion of oxygen may occur.

Without the face seal fitted no respiratory protection is to be expected.

At very high work rates and peak inhalation the pressure flow in the device may become negative.

Ophthalmic spectacles may transmit impacts from high-speed particles, thus creating a hazard to the wearer.

Leave the contaminated area immediately if any of the following conditions apply:

- The buzzer sounds.
- Any part of the respirator becomes damaged.
- Airflow into the respirator decreases or stops.
- Breathing becomes difficult.
- Dizziness or other physical distress or irritation occurs.
- The user tastes or smells contaminants.

Never modify or alter this product, except as directed in the service tasks contained in these instructions.

Materials which may come into contact with the wearer's skin could cause allergic reactions to susceptible individuals.

Transportation

For transportation purposes use the carry bag provided and protect the unit from physical or chemical damage.

PREPARATION FOR USE

The following tasks must be performed prior to use:



Battery pack must be initially charged for 24 hours.

Battery charging and installation

The nominal recharge time for a flat battery pack is 14 hours. The battery pack must be fully charged before first use for 24 hours. To install and charge the battery pack:

- Lift the cover by pressing the forward side tabs inwards and rotating the cover rearwards as shown in (Fig.1)
- Slide the battery pack into its housing as shown in (Fig.2)
- Fit the battery charger connector into the rear of the electronics unit and connect the charger to a mains AC supply. The LED lights up and remains lit even after a full charge has been completed. Charge for 14 hours.
- After charging switch off the mains AC supply, remove the charger connector from the helmet and refit cover ensuring tabs lock the cover in position.

For external charging see optional charge cradle in accessories list.

Visual inspection

- Check the face seal material for damage.
- Check the face seal attachment to the respirator chassis and visor.
- Check the visor seal for damage.

Replace any damaged parts including scratched or damaged visors.

Airflow Pre-Use Check

Ensure that the air filters have been installed correctly as shown in (Fig.9) Check the airflow as shown in (Fig.3)

- Turn the helmet upside down and locate the airflow indicator on the four slots at the front of the helmet.
- Press the red on/off switch to operate the fan. An audible tone should sound briefly one time. The red ball is raised to the top of the indicator tube if the system is operating correctly.
- If the red ball is raised to less than half the height of the tube then either the battery charge is low or the filters are blocked and need replacing.

Low Battery Warning

If an audible regular intermittent tone sounds recharge or replace the battery pack.



WEARING AND USING

Fitting the respirator

- Adjust the crown strap length on the headband as shown in (Fig.4) so that the headband rests against brow.
- Adjust headband diameter by pulling out knob and rotating for head size, push the knob in to secure as shown in (Fig.4)
- Ensure face seal is above the ears. Check that the face seal is taut so that there are no gaps between mask and face as shown in (Fig.5)
- Switch on the fan/motor by operating the red on/off switch.

Removing the respirator

- Switch off the fan/motor by operating the red on/off switch.
- Pull out the knob and to release headband and remove respirator

Cleaning

- Use a clean cloth with a mild solution of a household liquid soap and water.

PUREWIPE cleaning wipes are recommended for this purpose. Do not immerse the respirator in water.

- Do not immerse the respirator in fluid.
- Do not use organic solvents or abrasive cleaning agents on any part of the equipment.

- Launder the face seal and linings as required using a mild solution of a household detergent and water.

Disposal and cleaning of parts should be undertaken in accordance with local health and safety, and environmental regulations.

If a respirator has been used in an area that has caused it to become contaminated with a substance requiring special decontamination procedures, observe the precautions described in the manufacturer's health and safety information.

PARTS LISTS

Complete kit

Product	Part Number	Description
Airshield Pro UK	AIR/PRO	Powered Air Purifying Respirator incorporating Eye Protection
Airshield Pro North EU	AIR/PRO/ EURO	Powered Air Purifying Respirator incorporating Eye Protection

Spares - (Fig.12)

Item No.	Product Designation	Part Number	Qty
A	Visor Assembly	WP-AIR/P/07	1
B	Head Cover and Face Seal	WP-AIR/P/03	1
C	Headband Assembly	WP-AIR/P/18	1
D	Filter TH2P	AIR/P/1	2
E	Battery Pack	AIR/P/4	1
F	Battery Charger	AIR/P/5/ EURO (EU) or AIR/P/5/UK (UK)	1
G	Airflow Indicator	WP-AIR/P/02	1
H	On/Off Switch Assembly	WP-AIR/P/05	1
I	Cover	WP-AIR/P/08	1
J	Fan/Motor Assembly	WP-AIR/P/01	1
K	Brow Comfort Pad	WP-AIR/P/10	1
M	Visor Overlays clear	AIR/P/3C	10
N	Headband Fixing Kit	WP-AIR/P/16	1

ACCESSORIES

Charge Cradle

AIR/P/7



SERVICING

Visor overlays (optional)

Install a new set of visor overlays by adhering to the main visor using the adhesive strips provided.

Visor assembly replacement

- Remove the seven face seal pop studs from visor as shown in (Fig.6)
- Replace the old or damaged visor assembly as shown in (Fig.7)
- Release nuts and push screws inwards, release the front tab and lift visor from the helmet.
- Fit replacement visor ensuring slot in visor locates on tab and bottom edge in grooves, secure with screws and nuts.
- Fit visor stiffener wire. Insert the wire ends into the outer slots provided and rotate to engage securely in the centre slot.

Visors should be stored out of direct sunlight and replaced at least every 5 years.

Face seal

Replace the face seal as shown in (Fig.6)

- Starting from the centre of the visor pop studs on face seal. Release touch and close tape from front of helmet.
- Unfasten the crown strap on the headband and release elastic loops on each side.
- Pull face seal over the headband knob and remove face seal from helmet.
- Tuck edge strip of new face seal under headband and secure to touch and close tape on helmet. Slip the elastic loops over the crown strap and adjust strap length.
- Fit face seal over head band knob and secure to visor pop studs.

Face seals should be stored out of direct sunlight and replaced at least every 5 years.

Headband assembly

Remove face seal and visor as shown in (Fig.6) and (Fig.7). Install a new headband assembly as shown in (Fig.8)

- Release nuts and screw and remove the headband from the helmet.

- Assemble anti-rotating cap and screw retainer to headband noting that Anti- rotating caps are marked 'L' (left) and 'R' (right)
- Position the headband in the helmet ensuring that the tabs on the anti-rotating cap locate in the helmet.
- Fit screws through retainer, anti -rotating cap and visor secure with nuts,

Air filter replacement

Lift the cover as shown in **(Fig.1)** Replace air filter as shown in **(Fig.9)**

- Hold the neck of the fitted air filter and push firmly towards sealing face to release from securing tabs and lift filter upwards to remove. Discard appropriately.
- Locate new air filter against sealing face. Push firmly toward sealing face and downwards. Filter will click into in securing tabs. Ensure the rear locating tag is engaged in the slot and the filter lays parallel to the chassis.
- Refit helmet cover.

CAUTION:

Dust on the respirator or filter from usage should be handled in a safe manner in accordance with the manufacturer's safety data information.

Fan/motor assembly replacement

Lift the cover as shown in **(Fig.1)**

Replace fan/motor assembly as shown in **(Fig.10)**

- Disconnect fan/motor electrical lead from the electronics unit.
- Remove the two screws securing the front air duct. Lift the air duct from locating lip and pull fan/motor from rear air duct. Separate fan/motor from front air duct.
- Fold back both seals on replacement fan/motor assembly. With electrical lead point downwards locate with front air duct and secure by unfolding seal over duct.
- Connect electrical lead to electronics unit.
- Locate front air duct in lip and fan/motor with rear air duct, tuck excess cable under fan/motor unit and unfold seal to secure. Secure air duct with screws.
- Ensure both seals are fully engaged with ducts and a re fully unfolded, failure to do so may compromise the unit's performance.

Electronics unit

Lift the cover as shown in **(Fig.1)**

Replace electronics unit as shown in **(Fig.11)**

STORAGE

The equipment should be stored in dry, clean conditions away from direct sunlight, sources of heat, petrol and solvent vapours.

Store the equipment within the temperature range +5°C to +40°C and the humidity range 0 -90%.

TECHNICAL SPECIFICATION

Weight	1.0kg nominal
Head Size Range	54 - 61cm
Protection Factor Assigned (APF)20	
Humidity	0-90% storage and use (store out of direct sunlight)
Temperature Range	
Charging	+5°C to +40°C
Use	-5°C to +40°C
Storage	+5°C to +40°C
Airflow	
Initial	210 l\min
Minimum	150 l\min
Power Supply	
Battery Pack	3 cell
Nominal	3.6V
Capacity	3.5 Ah per pack NIMH
Battery life	8 hrs (Fully charged battery pack fitted)
Charging Method/Rate Mains charger 14 hrs from fully discharged	
Battery Charger	
Input	UK 230 □10% VAC
Nominal Power Consumption	4W
No Load output	12VDC
Nominal output voltage	4.2 V
300 mA IP 20 indoor use only	
CE EN 60335-1, 60335-2-29	

**AIRSHIELD PRO DECONTAMINATION
RETURN PROCEDURE**



IMPORTANT NOTICE:

Trend Tool Technology Ltd cannot accept any Respirator for service or repair unless the following information has been supplied separately externally attached to the packaging.

Please use the returns form provided with your Respirator.

Name of company	
Address	
Telephone	
Fax	
Email	
Contact Name Type of business	
Process ESM used for Serial Number of Respirator Specific contaminant	
a) Name of	
b) Manufacturer of	
c) Brand name	
d) By-Product of a Process	

Please provide Health and safety data sheet for contaminant. Any known allergic reactions caused by the contaminant. From whom the unit was purchased.

The date the unit was purchased.

Specific reason for return, please provide as much detail as possible.

- Respirators without this information attached will be returned to source without any further action being taken.
- Respirators that have not been thoroughly decontaminated inside and out will be returned to source without any further action being taken.

ENVIRONMENTAL PROTECTION 



Recycle raw materials instead of disposing as waste.

Packaging should be sorted for environmental-friendly recycling.

Separate collection

This product must not be disposed of with normal household waste.

Household User

Local regulations may provide for separate collection of electrical products from the household, at municipal waste sites or by retailer when you purchase a new product.

Please call Trend Customer Services for advice as to how to dispose of unwanted Trend electrical products in an environmentally safe way or visit www.trend-uk.com

Business User

Please call Trend Customer Services for disposal of unwanted Trend electrical products.

Batteries and the Environment



This unit uses Nickel-Metal Hydride (Ni-MH) batteries. When the battery pack needs replacing, we recommend

replacing with Ni-MH the following:

- Discharge the energy from the batteries by running the batteries down completely, and then remove them from the respirator.

Ni-MH cells are recyclable; so do not throw them away with your household waste. They may end up in an incinerator or landfill, which must be avoided.

Instead, take the batteries to a Trend Service Agent, your local distributor or a local recycling station. If necessary, contact your local municipality for disposal information. The collected batteries will be disposed of properly and/ or used for recycling purposes.

WARRANTY

The unit carries a manufacturer's warranty in accordance with the conditions on our website.

For the location of your nearest Trend Service Agent, please call Trend Customer Services or see Stockist Locator at www.trend-uk.com