



**ORIGINAL
INSTRUCTIONS**

T35



trend[®]
routing technology



Please read these instructions before use.
Failure to follow the warnings and instructions may result in electric shock, fire and/or serious injury.

Dear Customer

Thank you for purchasing this Trend product, we hope you enjoy many years of creative and productive use.

Please remember to return your guarantee card within 28 days of purchase.

Please read these instructions before use.


CONTENTS


TECHNICAL DATA _____	1
SAFETY _____	2-3
ELECTRICAL SAFETY _____	4
VACUUM CLEANING SAFETY _____	5-6
EC DECLARATION OF CONFORMITY _____	7
ITEMS ENCLOSED _____	8
DESCRIPTION OF PARTS _____	8
ASSEMBLY	
– Inserting Removing/Collection Bag _____	9
– Mounting the Hose, Nozzles and Tubes _____	10
– Fitting/Removing Cartridge Filter _____	10
– Fitting/Removing Nylon Pre-Filter _____	10
OPERATION	
– Starting Operation _____	11
– Dry Vacuuming _____	11
– Wet Vacuuming _____	11-12
– Blower Function _____	12
– Connecting to Power Tools _____	12
MAINTENANCE & SERVICE _____	13
ENVIRONMENTAL PROTECTION _____	14
GUARANTEE _____	14
ACCESSORIES _____	14
SPARE PARTS	
– Spare Parts List _____	15-16
– Spare Parts Diagram _____	1B
TROUBLESHOOTING _____	16

Definitions: Safety Guidelines


The definitions below describe the level of severity for each signal word. Please read the manual and pay attention to these symbols.


The following symbols are used throughout this manual:

 **WARNING:** indicates a potentially hazardous situation which, if not avoided, **could result in death or serious injury.**


 **CAUTION:** Indicates a potentially hazardous situation which, if not avoided, may result in **minor or moderate injury.**


NOTICE: Indicates a practice **not related to personal injury** which, if not avoided, **may result in property damage.**

 Denotes risk of electric shock.

 Denotes risk of fire.

Additional Symbols Used

 Wear Personal Protective Equipment (PPE). Ear, eye and respiratory protection **must** be worn.

 Denotes risk of personal injury, loss of life or damage to the tool in case of non-observance of the instructions in this manual.



If you require further safety advice, technical information or spare parts, please call Trend Technical Support or visit www.trend-uk.com

**VACUUM CLEANER
T35A**

TECHNICAL DATA

Voltage	UK & Eire	V _{AC}	230/115
	Europe	V _{AC}	230
Power input	230V	W	1400
	115V	W	800
Frequency		Hz	50
Auto-start	230V max.	W	2300
	115V max.	W	1000
	min.	W	50
Protective class			IPX4
Flow rate		l/s	70
Max. vacuum		mbar	270
Filter surface	HEPA	cmq	2600
	Pre-filter	cmq	1400
Negative pressure		K _{PA}	21
Dust category			M
Collection bag contents		L	24.5
Container	Dry	L	27
	Wet	L	16
Noise		dB	75
Hose	Length	m	5
	Outside diameter	mm	39
Dimensions 390		mm	350 x x 610
Weight		kg	7.5
L _{PA} (emission sound pressure level)		dB(A)	75
K _{PA} (uncertainty for the given sound level)		dB(A)	1.5
L _{WA} (sound power level)		dB(A)	89
K _{WA} (uncertainty for the given sound level)		dB(A)	1.5

Fuses

UK & Eire	230V tools	13 Amperes, in plug
UK & Eire	115V tools	16 Amperes, main
Europe	230V tools	16 Amperes, main

INTENDED USE

This machine is intended for collection, vacuuming, conveying and separation of non-flammable dry dusts and non-flammable liquids and water-air mixtures. This dust category class M vacuum cleaner is for professional use and is suited for trades and workshops.

According to IEC/EN 60335-2-69, vacuum of dust category M may only be used for vacuuming and extraction of hazardous dusts with an exposition limit value $\geq 0.1 \text{ mg/m}^3$. Use vacuum cleaner only when you fully understand and can perform all functions without limitation, or have received appropriate instruction.

This appliance is suitable for commercial use, for example in hotels, schools, factories, shops and offices.

The appliance is intended for use as a wet and dry vacuum cleaner.

DO NOT let children come into contact with this appliance. Supervision is required when inexperienced operators use this appliance.

RESTRICTION OF USE

DO NOT use vacuum cleaner for combustible dust.

DO NOT use vacuum cleaner in explosive atmospheres.

This product is not intended for use by persons (including children) suffering from diminished physical, sensory or mental abilities; lack of experience, knowledge or skills unless they are supervised by a person responsible for their safety. Children should never be left alone with this product.



WARNING: Ensure all filters are fitted.

Do not overload suction.

Clean filters daily.

Do not over fill bag.



WARNING: For some tools with a wired in work light function, the auto start may require manual intervention.

SAFETY



WARNING:

Observe the safety regulations in the instruction manual of the power tool to be used. Please read the following instructions carefully. Failure to do so could lead to serious injury. When using electric tools, basic safety precautions, including the following should always be followed to reduce the risk of fire, electric shock and personal injury. Also observe any applicable additional safety rules. Read the following safety instructions before attempting to operate this product.

PLEASE KEEP THESE INSTRUCTIONS IN A SAFE PLACE.

The attention of UK users is drawn to The Provision and Use of Work Equipment Regulations 1998, and any subsequent amendments.

Users should also read the HSE/HSC Safe Use of Woodworking Machinery Approved Code of Practice and Guidance Document and any amendments.

Users must be competent with woodworking equipment before using our products.

IMPORTANT NOTE:

Residual Risk. Although the safety instructions and operating manuals for our tools contain extensive instructions on safe working with power tools, every power tool involves a certain residual risk which cannot be completely excluded by safety mechanisms. Power tools must therefore always be operated with caution!

General

1. Disconnect power tool and attachment from power supply when not in use, before servicing, when making adjustments and when changing accessories such as cutters. Ensure switch is in "off" position. Always ensure cutter has stopped rotating.
2. Always mount the power tool, accessory or attachment in conformity with the instructions. Only use attachment and accessories specified in the power tool manual. The tool or attachment should not be modified or used for any application other than that for which it was designed. Do not force tool.
3. Keep children and visitors away. Do not let children or visitors touch the tool, accessory or attachment. Keep children and visitors away from work area. Make the workshop child proof with padlock and master switch.
4. Dress properly. Do not wear loose clothing or jewellery, they can be caught in moving parts. Rubber gloves and non-skid footwear is recommended when working outdoors. Wear protective hair covering to contain long hair.

5. Consider working environment. Do not use the product in the rain or in a damp environment. Keep work area well lit. Do not use power tools near gasoline or flammable liquids. Keep workshop at a comfortable temperature so your hands are not cold. Connect machines that are used in the open via a residual current device (RCD) with an actuation current of 30 mA maximum. Use only extension cables that are approved for outdoor use.
6. The accessory or attachment must be kept level and stable at all times.
7. Keep work area clean. Cluttered workshops and benches can cause injuries. Ensure there is sufficient room to work safely.
8. Secure idle tools. When not in use, tools should be stored in a dry and high or locked up place, out of reach of children.
9. For best control and safety use both hands on the power tool and attachment. Keep both hands away from cutting area. Always wait for the spindle and cutter to stop rotating before making any adjustments.
10. Always keep guards in place and in good working order.
11. Remove any nails, staples and other metal parts from the workpiece.
12. Maintain tools and cutters with care. Keep cutters sharp and clean for better and safer performance. Do not use damaged cutters. Follow instructions for lubricating and changing accessories. Keep handles dry, clean and free from oil and grease.
13. Maintain accessories. Do not use damaged accessories. Only use accessories recommended by the manufacturer.
14. Check damaged parts. Before operation inspect the attachment, the power tool, the cable, extension cable and the plug carefully for signs of damage. Check for alignment of moving parts, binding, breakage, mounting and any other conditions that may effect its operation. Have any damage repaired by an Authorised Service Agent before using the tool or accessory. Protect tools from impact and shock.
15. Do not use tool if switch does not turn it on or off. Have defective switches replaced by an Authorised Service Agent.
16. Don't over reach. Keep proper footing and balance at all times. Do not use awkward or uncomfortable hand positions.
17. Don't abuse the cable. Never carry power tool or accessory by cord or pull it to disconnect from the socket.

Keep cord from heat, oil and sharp edges. Always trail the power cord away from the work area.

18. Connect dust extraction equipment. If devices are provided for the connection of dust extraction and collection facilities, ensure these are connected and properly used.
19. Check all fixing and fastening nuts, bolts and screws on power tool, attachment and cutting tools before use to ensure they are tight and secure. Periodically check when machining over long periods.
20. Stay alert. Watch what you are doing. Use common sense. Do not operate tools when you are tired, under the influence of drugs or alcohol.
21. Personal Protective Equipment (PPE) for eye, ear and respiratory protection must be worn. All PPE must meet current UK and EU legislation.
22. Do not leave tools running unattended. Do not leave tool until it comes to a complete stop.
23. Always clamp workpiece being machined securely.
24. Only use cutting tools for woodworking that meet EN847-1/2 safety standards, and any subsequent amendments.
25. Vibration levels. Hand held power tools produce different vibration levels. You should always refer to the specifications and relevant Health & Safety Guide.

Routing Safety

1. Read and understand instructions supplied with power tool, attachment and cutter.
2. Keep hands, hair and clothing clear of the cutter.
3. Remove adjusting keys and spanners. Check to see that keys and adjusting spanners are removed from the router tool, cutter and attachment before turning router on. Make sure cutter can rotate freely.
4. Noise. Take appropriate measures for the protection of hearing if the sound pressure of 85dB(A) is exceeded. Routing sound pressure may exceed 85dB(A), so ear protection must be worn.
5. Eye protection. Always wear eye protection in the form of safety goggles, spectacles or visors to protect the eyes.
6. Respiratory protection. Always wear a face or dust mask, or powered respirator. Dust masks/filters should be changed regularly.
7. Do not switch router on with the cutter touching the workpiece. At the end of the cut, release the router plunge and allow spindle to stop rotating. Never use the spindle lock as a brake

8. The direction of routing must always be opposite to the cutter's direction of rotation. Do not back-cut or climb-cut.
9. Check before cutting that there are no obstructions in the path of the router. Ensure there are no obstacles beneath workpiece when cutting full thickness, and that a sacrificial work surface is used.
10. Hold power tool by insulated gripping surfaces, because the cutter may contact its own cord. Cutting the "live" wire may make exposed metal parts of the powertool "live" and shock the operator.
11. Use clamps or another practical way to secure and support the workpiece to a stable platform. Holding the work by your hand or against the body leaves it unstable and may lead to loss of control.
9. Cutter shanks should be inserted into the collet all the way to the line indicated on the shank. This ensures that at least $\frac{3}{4}$ of the shank length is held in the collet. Ensure clamping surfaces are cleaned to remove dirt, grease, oil and water.
10. Observe the correct assembly and fitting instructions in the router instruction manual for fitting the collet, nut and cutter.
11. Tool and tool bodies shall be clamped in such a way that they will not become loose during operation. Care shall be taken when mounting cutting tools to ensure that the clamping is by the shank of the cutting tool and that the cutting edges are not in contact with each other or with the clamping elements.
12. It is advisable to periodically check the collet and collet nut. A damaged, worn or distorted collet and nut can cause vibration and shank damage. Do not over-tighten the collet nut.
13. Do not take deep cuts in one pass; take several shallow or light passes to reduce the side load applied to the cutter and router. Too deep a cut in one pass can stall the router.
14. In case of excessive vibrations whilst using the router stop immediately and have the eccentricity of the router, router cutter and clamping system checked by competent personnel.
15. All fastening screws and nuts should be tightened using the appropriate spanner or key and to the torque value provided by the manufacturer.
16. Extension of the spanner or tightening using hammer blows shall not be permitted.
17. Clamping screws shall be tightened according to instructions provided by the manufacture. Where instructions are not provided, clamping screws shall be tightened in sequence from the centre outwards.
18. Do not touch the cutter immediately after operation; it may be extremely hot and could burn your skin.
5. Whenever possible use a work holding device or jig to secure component being machined. Ensure any attachment is securely fitted to the workbench, with table surface at approximately hip height.
6. Use a No-Volt Release Switch. Ensure it is fixed securely, easily accessible and used correctly.
7. In router table (inverted) mode, stand to the front right of the table. The cutter will rotate anti-clockwise when viewed from top so the feed direction is from the right (against the rotation of the cutter). In overhead mode, stand to the front left of the machine table and the feed direction is from the left.
8. Do not reach underneath table or put your hands or fingers at any time in the cutting path while tool is connected to a power supply.
9. Never thickness timber between the back of the cutter and the backfence.

Router Cutter Safety

1. Cutting tools are sharp. Care should be taken when handling them. Do not drop cutters or knock them against hard objects. Handle very small diameter cutters with extra care. Always return cutter to its packaging after use.
2. Always use cutters with a shank diameter corresponding to the size of the collet installed in your tool.
3. The maximum speed (n.max) marked on the tool, or in instructions or on packaging shall not be exceeded. Where stated the speed range shall be adhered to. Recommended speeds are shown in the Trend Routing Catalogue and/or website.
4. Always use router cutters in a router. Drill and boring bits must not be used in a router. Router cutters must only be used for the material cutting application for which they are designed. Do not use on metal or masonry.
5. Never use cutters with a diameter exceeding the maximum diameter indicated in the technical data of the powertool or attachment used.
6. Before each use check that the cutting tool is sharp and free from damage. Do not use the cutting tool if it is dull, broken or cracked or if in any other damage is noticeable or suspected.
7. Cutters should be kept clean. Resin build up should be removed at regular intervals with Resin Cleaner. The use of a PTFE dry lubricant will reduce resin build up. Do not use PTFE spray on plastic parts.
8. When using stacked tooling (multi-blade, block and groover etc.) on a spindle arbor, ensure that the cutting edges are staggered to each other to reduce the cutting impact.
12. It is advisable to periodically check the collet and collet nut. A damaged, worn or distorted collet and nut can cause vibration and shank damage. Do not over-tighten the collet nut.
13. Do not take deep cuts in one pass; take several shallow or light passes to reduce the side load applied to the cutter and router. Too deep a cut in one pass can stall the router.
14. In case of excessive vibrations whilst using the router stop immediately and have the eccentricity of the router, router cutter and clamping system checked by competent personnel.
15. All fastening screws and nuts should be tightened using the appropriate spanner or key and to the torque value provided by the manufacturer.
16. Extension of the spanner or tightening using hammer blows shall not be permitted.
17. Clamping screws shall be tightened according to instructions provided by the manufacture. Where instructions are not provided, clamping screws shall be tightened in sequence from the centre outwards.
18. Do not touch the cutter immediately after operation; it may be extremely hot and could burn your skin.

Using Routers In A Fixed Position

1. Attention should be made to the HSE's Safe Use of Vertical Spindle Moulding Machines Information Sheet No.18 and any revisions.
2. After work, release the router plunge to protect the cutter.
3. Always use a push-stick or push-block when making any cut less than 300mm in length or when feeding the last 300mm of the cut.
4. The opening around the cutter should be reduced to a minimum using suitably sized insert rings in the table and closing the back fence cheeks or

Useful Advice When Routing

1. Judge your feed rate by the sound of the motor. Feed the router at a constant feed rate. Too slow a feed rate will result in burning.
2. Trial cuts should be made on waste material before starting any project.
3. When using some attachments e.g. a router table or dovetail jig, a fine height adjuster is recommended.
4. When using a template guide bush, ensure there is sufficient clearance between cutter tip and inside edge of bush and that it cannot come into contact with collet and nut. Ensure cutter and guide bush are concentric.

Router Cutter Repair/Maintenance

1. Repair of tools is only allowed in accordance with the manufacturers instructions.
2. The design of composite (tipped) tools shall not be changed in process of repair. Composite tools shall be repaired by a competent person i.e. a person of training and experience, who has knowledge of the design requirements and understands the levels of safety to be achieved.
3. Repair shall therefore include, e.g. the use of spare parts which are in accordance with the specification of the original parts provided by the manufacturer.
4. Tolerances which ensure correct clamping shall be maintained.
5. Care shall be taken that regrinding of the cutting edge will not cause weakening of the body and the connection of the cutting edge to the body.

ELECTRICAL SAFETY 

Power Supply



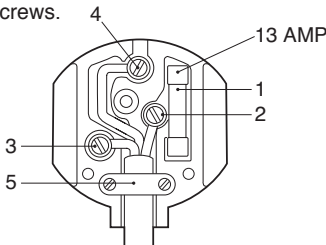
WARNING: Before any maintenance work, isolate mains plug from power source.

The electric motor has been designed for one voltage only. Always check that the power supply corresponds to the voltage on the rating plate. Machines marked for 230 volt can also be operated from a 220-volt supply. The vacuum cleaner is supplied from the factory with mains supply power cord/cable, which has an earthed plug. It must only be connected to an approved earthed socket.

Mains Plug Replacement (UK & Ireland only)

Always check the condition of the cable and plug before starting with your work. Should your mains plug need replacing and you are competent to do this, proceed as instructed below. If you are in doubt, contact an authorized Trend Repair Agent or a qualified electrician.

- Disconnect the plug from the supply.
- Cut off the plug and dispose of it safely; a plug with bared copper conductors is dangerous if engaged in a live socket outlet.
- Only fit 13 Amperes BS 1363A approved plugs fitted with a 13 Amp A.S.T.A approved BS 1362 fuse (1).
- The cable wire colours, or a letter, will be marked at the connection points of most good quality plugs. Attach the wires to their respective points in the plug (see top right).
- Brown is for Live (L) (2), Blue is for Neutral (N) (3) and Green/Yellow is for earth \perp (4).
- Before replacing the top cover of the mains plug ensure that the cable restraint (5) is holding the outer sheath of the cable firmly and that the two leads are correctly fixed at the terminal screws.



For 115V units with a power rating exceeding 1500W we recommend to use a plug to BS4343 standard.



WARNING: Never use a light socket. Never connect the live (L) or neutral (N) wires to the earth pin marked E or \perp .

Using an Extension Cable

- If an extension cable is required, use an approved triple core extension cable suitable for the power input of this tool (see technical data). The minimal conductor size is 1.5mm², the maximum length is 30m.
- When using a cable reel, always unwind the cable completely.
- Also refer to the tables below.

Conductor size (mm ²)	Cable rating (Amperes)
0.75	6
1.00	10
1.50	15
2.50	20
4.00	25

Voltage	Amperes	Cable length (m)					
		7.5	15	25	30	45	60
		Cable rating (Amperes)					
115	0 - 2.0	6	6	6	6	6	10
	2.1 - 3.4	6	6	6	6	15	15
	3.5 - 5.0	6	6	10	15	20	20
	5.1 - 7.0	10	10	15	20	20	25
	7.1 - 12.0	15	15	20	25	25	-
	12.1 - 20.0	20	20	25	-	-	-
230	0 - 2.0	6	6	6	6	6	6
	2.1 - 3.4	6	6	6	6	6	6
	3.5 - 5.0	6	6	6	6	10	15
	5.1 - 7.0	10	10	15	20	20	25
	7.1 - 12.0	15	15	20	25	25	-
	12.1 - 20.0	20	20	20	20	25	-



WARNING: 115V units have to be operated via a fail-safe isolating transformer with an earth screen between the primary and secondary windings.

VACUUM CLEANING SAFETY

Important Safety Instructions



WARNING! Read all safety warnings and all instructions. Failure to follow the warnings and instructions may result in electric shock, fire and/or serious injury.

SAVE ALL WARNINGS AND INSTRUCTIONS FOR FUTURE REFERENCE.

BEFORE USING THE APPLIANCE, READ AND FOLLOW ALL INSTRUCTIONS.



WARNING: Operators should be adequately instructed on the use of these machines.



WARNING: To reduce the risk of electric shock. Do not expose to rain. Store indoors.

- Children should not play with the appliance, it is not a toy.
 - Use this appliance only as described in the manual.
 - The use of this machine for anything not specified in this manual may be dangerous and must be avoided.
 - Only use the socket outlet on the appliance for purposes specified in the instruction manual.
 - Always check the appliance before use.
 - The suction nozzle should be kept away from the body, especially delicate areas such as eyes, ears and mouth.
 - Do not unplug this appliance by pulling on the power cord. To unplug, grasp the plug, not the power cord.
 - Do not pull or carry this appliance by the power cord. Do not use the power cord as a handle, close a door on the power cord, or pull the power cord around sharp edges or corners. Do not run the appliance over the power cord. Keep power cord away from heated surfaces.
 - Do not handle the plug or appliance or grasp power cord with wet hands.
 - Do not put any objects into the openings of the appliance. Do not use the appliance with any opening blocked. Keep openings free of dust, lint, hair and anything else that may reduce airflow and cause a blockage.
 - Keep hair, loose clothing, fingers, and all body parts away from the openings and moving parts of the appliance.
 - Static shocks are possible in dry areas or when the relative humidity of the air is low. This is only temporary and does not affect the use of the vacuum. To reduce the frequency of static shocks, add moisture to the air with a console or installed humidifier.
 - To avoid spontaneous combustion, empty canister after each use.
 - Take extra care if cleaning on stairs.
 - The equipment should be correctly assembled before use.
 - Ensure that power sockets used are correct for the machine.
 - Check that voltage indicated on the rating plate is the same as the supply voltage.
- Components used for packaging (e.g. plastic bags) can be dangerous, keep away from children and animals.
 - Operators should be adequately instructed on the use of this machine.
 - Before use, operators shall be provided with information, instruction and training for the use of the machine and the substances for which it is to be used, including the safe method of removal and disposal of the material collected.
 - Operators should observe any safety regulations appropriate to the materials being handled.
 - Never leave the equipment unattended whilst in use. Do not leave the appliance when it is connected to a power source. Unplug it from outlet when not in use and before servicing. Turn off all controls before unplugging appliance.
 - The appliance is not to be used by children or persons with reduced physical, sensory or mental capabilities, or lack of experience and knowledge, unless they have been given supervision or instruction.

- These machines are not suitable for vacuuming health endangering dusts or inflammable/explosive substance (like ash and soot).
- Never carry out any maintenance on the machine without first disconnecting from the mains supply or when is left unattended or reachable by children or disables.
- The machine should never be immersed and never use water jet against the appliance to clean it.
- When using the machine in wet rooms (e.g. in the bathroom only connect it to sockets which are connected in series with a ground fault circuit interrupter. In case of doubts, consult an electrician.
- Periodically examine the power cord and machine for damage. If any damage is found, do not use the appliance but contact your service centre for repair.
- If the power supply cord is damaged, it must be replaced by the manufacturer, its service centres or similarly qualified people in order to avoid a hazard.
- If an extension cord is used, the plug and socket must be of watertight construction.
- Before vacuuming liquids, check the float functions correctly. When vacuuming liquids, and when the tank is full, a float closes suction opening, and the vacuum operation is interrupted. Then switch off the machine, disconnect the plug and empty the tank. Regularly clean the water level limiting device (float) and examine it for signs of damages.
- If the machine overturns, it would be recommended to stand it up before switching off.
- If foam or liquid escape from the appliance, switch off immediately.
- The equipment should not be used to vacuum water from containers, lavatories, tubs, etc.
- Before emptying the tank, switch off the machine and disconnect the plug from the power outlet.
- Aggressive solvents or detergents should not be used.
- Service and repairs must be carried out by qualified personnel only. Only use Trend original spare parts for service repair.

- The manufacturer cannot be held responsible for any damage/injury caused to persons, animals or property caused by misuse of the appliance.
- Use only Trend recommended attachments and Trend original spare parts.

SAVE THESE INSTRUCTIONS

Additional Safety Rules



WARNING: This appliance contains harmful dust. The emptying and maintenance, including the removal of the collection bag, may only be executed by trained personnel wearing suitable protection equipment. Do not switch on until the complete filter system has been installed. Otherwise there is danger to your own health.

- Do not pick up anything that is burning or smoking, such as hot ashes, matches or cigarettes.
- Do not use to vacuum combustible explosive materials, such as grain, coal or other finely divided combustible material.
- Do not use to vacuum hazardous, toxic or carcinogenic materials, such as asbestos or pesticide.
- Never pick up explosive liquids (e.g. paint thinner, gasoline, diesel fuel, heating oil etc.), acids or solvents.
- Do not use vacuum without filters in place, except as explained in the Wet Vacuuming section of this manual.
- Some woods contain preservatives which can be toxic. Take extra care to prevent inhalation and skin contact when working with these materials. Request and follow any safety information available from the supplier of the materials.
- Do not use vacuum cleaner as a seat, ladder or stepladder.
- Do not place heavy objects on vacuum cleaner.
- Do not hang the vacuum cleaner eg for transporting purposes.



Wear Personal Protective Equipment (PPE). Ear, eye and respiratory protection **must** be worn.



T35

EC/EU DECLARATION OF CONFORMITY

VACUUM CLEANER T35A

Trend declares that the product described under Technical Data is in compliance with the following Directives:

2006/42/EC (+ 2009/127/EC)
2014/30/EU
2011/65/EU

and the following Harmonised Standards:

EN 60335-1
EN 60335-2-69
EN 62233:2008+AC:2008
EN 55014-1:2006+A1:2009+A2:2011
EN 55014-1:2017+A11:2020
EN 55014-2:2015
EN 55014-2:1997+AC:1997+A1:2001+A2:2008
EN 61000-3-2:2014
EN 61000-3-3:2013
IEC EN 63000:2018

Signature

Technical Director
Neil McMillan

Manufacturer

Trend Tool Technology Ltd
Unit 6 Odhams Trading Estate,
St. Albans Road, Watford,
Herts, WD24 7TR, England

Technical File Contact

Trend Tool Technology Ltd
3rd Floor, Kilmore House,
Park Lane, Spencer Dock
Dublin 1, Ireland

02/05/2022 cod.7.301.1124-00 LEAF/CE/DOC/T35

RESIDUAL RISKS

In spite of the application of the relevant safety regulations and implementation of safety devices, certain residual risks cannot be avoided.

These are:-

- Impairment of hearing.
- Risk of personal injury due to flying particles.
- Risk of burns due to accessories becoming hot during operation.
- Risk of personal injury due to prolonged use.

MARKINGS ON TOOL

The following pictures are shown on the appliance.



Read instruction manual before use.



WARNING: This appliance contains harmful dust. The emptying and maintenance, including the removal of the collection bag, may only be executed by trained personnel wearing suitable protection equipment. Do not switch on until the complete filter system has been installed. Otherwise there is a danger to your own health.



Class M vacuum cleaners are suitable to vacuum dry, non-combustible dusts with workplace limit values of $\geq 0.1 \text{ mg/m}^3$.



WARNING: The vacuum cleaner contains materials that are hazardous to one's health. Have the emptying and maintenance, including the disposal of dust-collection containers, carried out only by specialists.

Appropriate protective equipment is required. Do not operate the vacuum cleaner without the complete filter system. Otherwise there is danger to your own health.

Date Code Position

The date code, which includes the year of manufacture, is printed on the rating plate that can be found on the appliance top housing.

ITEMS ENCLOSED

- 1 x Cartridge Filter HEPA
- 2 x Castors
- 1 x Collection Bag
- 2 x Main Wheels
- 1 x Hose 5m x 39mm Ø with Hose Spout
- 2 x Extension Tubes
- 1 x Hose Handle with Air Control Valve
- 1 x Universal Spout
- 1 x Spout Insert Brush
- 1 x Spout Insert Wiper
- 1 x Power Tool Adaptor
- 1 x Crevice Tool
- 1 x Upholstery Tool
- 1 x Round Brush
- 1 x Polyurethane foam filter
- 1 x Manual
- 1 x Guarantee Card

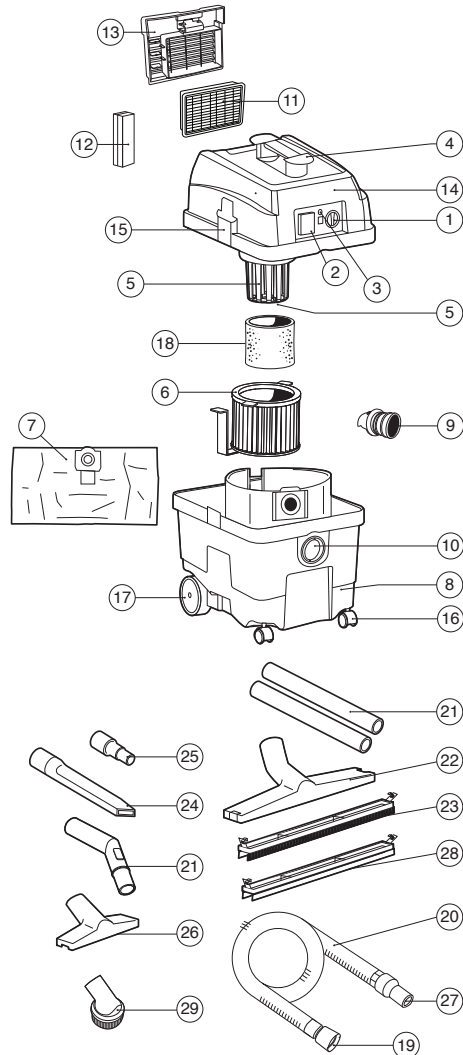
DESCRIPTION OF PARTS

- ① Switch dial ON-OFF, autostart and shaker
- ② Power tool socket
- ③ Airflow indicator light
- ④ Carrying handle
- ⑤ Float in basket
- ⑥ Cartridge filter HEPA
- ⑦ Collection bag
- ⑧ Container
- ⑨ Container hose deflector bayonet
- ⑩ Container hose inlet
- ⑪ Air outlet filter HEPA
- ⑫ Motor cooling outlet carbon filter
- ⑬ Air outlet grid
- ⑭ Lid
- ⑮ Container catch
- ⑯ Castors
- ⑰ Main wheels
- ⑱ Polyurethane foam filter
- ⑲ Hose bayonet fitting
- ⑳ Hose 5m x 39mmØ
- ㉑ Extension tubes
- ㉒ Universal spout
- ㉓ Spout insert brush for floors
- ㉔ Crevice tool
- ㉕ Power tool adaptor
- ㉖ Upholstery tool
- ㉗ Hose spout
- ㉘ Spout insert wiper for liquids
- ㉙ Round brush

- Check for damage to the tool, parts or accessories which may have occurred during transport.
- Take the time to thoroughly read and understand this manual prior to operation.

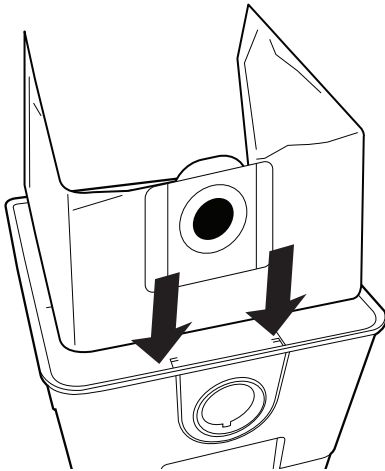


WARNING: Never modify the appliance or any part of it. Damage or personal injury could result.

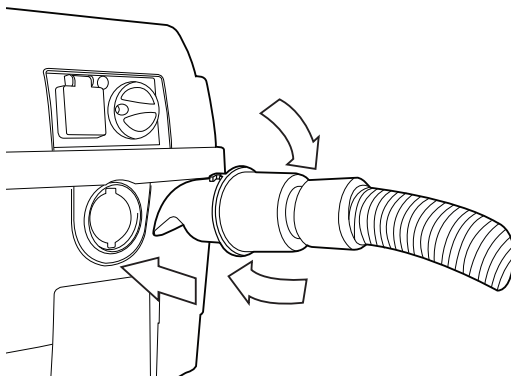


ASSEMBLY 
**Inserting and Removing the
Collection Bag** 

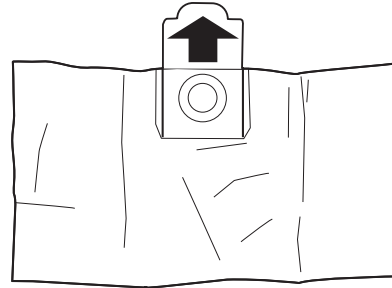
- Unlock the container catches and remove the lid.
- Fit collection bag by ensuring the bag cardboard flange are inserted with the appropriate grooves in the container.



Insert the container hose deflecting bayonet with hose bayonet cap into the inlet and turn clockwise until locked.



To remove bag undo the container hose deflector with hose bayonet cap by turning anti-clockwise and remove. Slide up collection bag. Close the bag by sliding the tab.



Dispose of the filter in a suitable container according to the applicable laws.

It is good practice however, to change the bag regularly to guarantee optimal cooling of the motor.

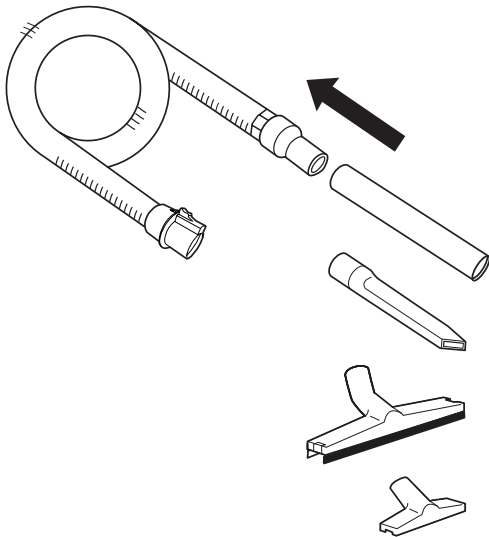
If the vacuum cleaner is used without the paper dust bag, it is recommended that the dust container be emptied and cleaned after each use; this procedure is also recommended following the suction of any type liquid.



The collection bag must be replaced when the airflow indicator light remains on.

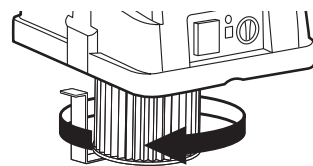
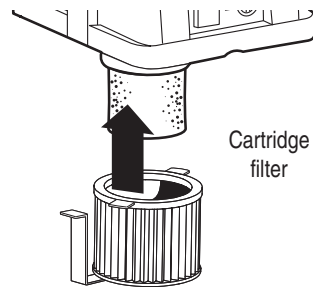
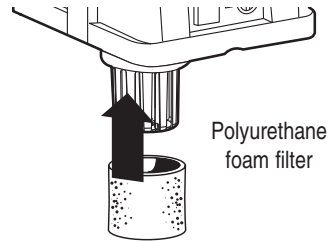
Mounting the Hose, Nozzles and Tubes 

- Connect the hose to the container by pushing the container deflector with hose bayonet cap into the container hose inlet. To remove hose, turn container deflector with hose bayonet cap anti-clockwise on the inlet.
- The spouts are a push fit on the extension tubes. To remove the spouts, turn the parts in the opposite direction and pull apart.
- For carpets use the universal spout.
- For floors, clip the brush spout insert into the universal spout.
- For fluids, clip the wiper spout insert into the universal spout.



Fitting/Removing Cartridge Filter

The filter cartridge has to be completely pushed in and is secured by turning the filter cartridge cap. Check that it fits correctly. In order to remove the cartridge filter turn the cap anti-clockwise and withdraw the cartridge filter.



Before using the appliance always check that all the filters provided are in the correct position.

- Fit the cartridge filter in place under the lid and the polyurethane foam filter around the float cage.

OPERATION



Starting Operation

Observe correct mains voltage! The voltage of the power source must agree with the voltage specified on the nameplate of the vacuum cleaner. Equipment marked with 230V can also be operated with 220V. Please refer to the HSE guidelines concerning the handling of materials that are hazardous to one's health.

- The machine must be always kept on horizontal bases, in a safe and stable way.
- Insert the suitable filters for the proper use.
- Never use the appliance without the filters.
- Use the most suitable accessories for the requested usage.

The vacuum cleaner may generally not be used in rooms where the danger of an explosion exists. To save energy, only switch the vacuum cleaner on when using it.

Dry Vacuuming



Never use the appliance without the polyurethane foam filter, cartridge filter or the collection bag.

- Empty the container and dispose of any liquid, which may have been picked up previously.
- Fit the polyurethane foam filter.
- Fit the cartridge filter over the float cage and lock in position using the filter cap.
- To switch the vacuum cleaner on, ensure auto-start switch dial is set to (I).
- To switch the vacuum cleaner off, set the on/off switch dial to (0) OFF.



There will be a 3-second delay on the power tool auto start.



- (0) OFF, switch off.
- (I) ON, manually operated.
- Automatically operates connected power tool.
- Shaker, to clean filter.

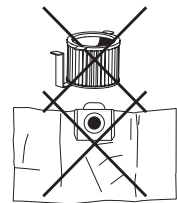
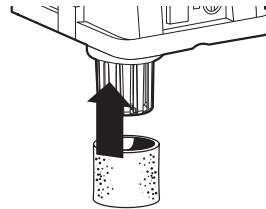
Wet Vacuuming



Do not vacuum inflammable or explosive fluids; for example, benzene, oil, alcohol, solvents. Do not vacuum hot or burning dust. Do not operate the machine in rooms where the danger of an explosion exists. The dusts, vapours or fluids can ignite or explode. The vacuum cleaner may not be used as a water pump. The vacuum cleaner is intended for vacuuming air and water mixtures. Before any work on the vacuum cleaner itself, pull the mains plug.

NOTE: The requirements for the ingress degree (dust category M) have only been proven for dry vacuuming.

- Remove the collection bag and cartridge filter, empty the container and fit the polyurethane foam filter before wet vacuuming.
- Fit the polyurethane foam filter around the float cage.



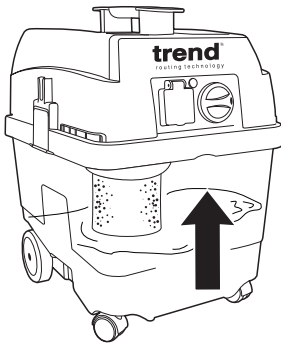
- To switch the vacuum cleaner on, ensure auto-start switch dial is set to ON.
- To switch the vacuum cleaner off, set the on/off switch to (0) OFF and disconnect from power supply.



WARNING: DO NOT connect power tools to outlet (when using the vacuum for wet pick up.

Plug vacuum into residual current device (RCD) protected outlet when using the vacuum for wet pick up. If foam or liquid escapes from the machine, switch off immediately.

When the fluid has reached the highest permitted level in the container, the float regulator automatically blocks the suction and the motor pitch will change: switch off the vacuum cleaner immediately pull out the plug, remove the suction head from the container and empty the container.



To empty container:-

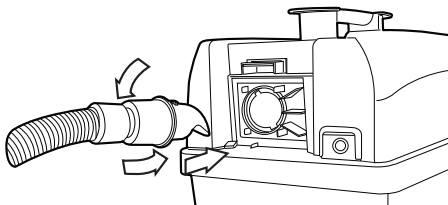
- Turn off vacuum and unplug power cable from outlet.
- Unlatch container catches and remove lid.
- Empty contents of container into a suitable container or drain.
- Refit lid and lock catches.

Blower Function 



CAUTION: Function not usable if the appliance is used to dry vacuum harmful dust.

Remove the air outlet grid along with the HEPA filter by pressing gently on the closure tab. Remove the hose from the inlet and then insert the container deflector, with hose bayonet cap and hose, into the blower outlet situated inside the lid.




When job is over, switch off (0) OFF and isolate the plug from the socket.

NOTE: When using the blower function ensure carbon filter is in position.

Connecting to Power Tools 



CAUTION: Only use the power tool socket for purposes specified in the instructions. Auto-start socket to be used with a power tool of maximum 2300 watts (for 240V), 1000 watts, (for 115V) and minimum 50 watts.

- To activate the power tool take off socket, put on/off switch dial to . When a tool is connected, the vacuum will automatically start as the tool is started.
- Connect the hose to the dust spout on the power tool using the hose spout and the stepped adapter if needed.



(0) OFF, switch off.



(I) ON, manually operated vacuuming.



Automatically operates connected power tool.

NOTE: When auto-start is used the vacuum cleaner starts automatically and continues to run for 5 seconds after the power tool has been turned off. At the end of the cycle, the filter shake function will be activated for about six seconds.



To clean the filter manually, set the selector to the symbol of the filter cartridge.

NOTE: An adequate ventilation rate (M) must be provided for when the outgoing air is circulated. Observe the respective national regulations.

After use, store vacuum cleaner carefully.

MAINTENANCE AND SERVICE

- Before any work on the vacuum cleaner itself, isolate from the power supply.
- For safe use and to ensure the appliance works properly, always keep the vacuum cleaner and ventilation slots clean.
- Wear a dust protection mask when maintaining and cleaning the vacuum cleaner.
- If the replacement of the power cable is necessary, this has to be done by Trend or a Trend Service Agent in order to avoid a safety hazard.
- A dust-technical inspection is to be carried out at least once every year by the manufacturer or an instructed person, e.g. for damage of the filter, tightness against leakage of the vacuum cleaner and function of the control unit.
- For category M vacuum cleaners that were in contaminated environments, the exterior as well as all machine parts should be cleaned or treated with sealants.
- When performing maintenance and repair work, all contaminated components that cannot be cleaned satisfactory must be disposed of.
- Such components must be disposed of in impermeable plastic bags conforming with the valid national regulations for the disposal of such waste.

For maintenance on behalf of the user, the vacuum cleaner must be disassembled, cleaned and maintained as far as feasible, without causing a risk for the maintenance personnel or other persons. Prior to disassembly, the vacuum cleaner should be cleaned in order to prevent any risks. The room/enclosure in which the vacuum cleaner is disassembled should be well ventilated. Wear personal protective equipment during maintenance. After maintenance of the appliance, the maintenance area should be cleaned.

Cleaning

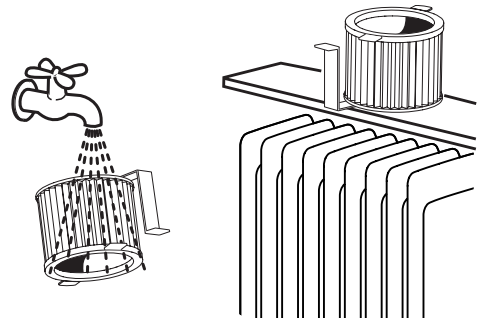


WARNING: Never use solvents or other harsh chemicals for cleaning the non-metallic parts of the appliance. These chemicals may weaken the materials used in these parts. Never let any liquid get inside the machine; never immerse any part of the appliance into a liquid.

- Vacuum the outside of the dust extractor.
Clean the exterior part of the machine with a dry cloth.
- After use dispose of the cloth in an appropriate container.

Cartridge Filter

Cartridge filter should periodically be washed only externally under running water to avoid damage to the filter surface.



It is recommended however that this filter be replaced every six months, or in relation to the frequency of use and to the type of dirt.



WARNING: Once the filter has been cleaned, check whether it is suitable for further use. If it has been damaged or broken, replace it with an original filter.

Polyurethane Foam Filter

The polyurethane foam filter must be cleaned regularly by brushing and/or by washing with water and neutral detergent. It is also recommended that this filter be replaced regularly, depending on frequency of use and type of dirt.

Motor Outlet (Carbon) and Air Outlet (HEPA) Filters

These filters must be replaced regularly with new filters at least every six months, and in any case according to the type of dirt and frequency of use.

Careful cleaning, maintenance and replacement of filters are essential to guarantee:

- Maximum efficiency of the appliance.
- Reduction of dust returned to the environment.
- Optimal cooling of the motor.



WARNING: Do not clean these filters with water.

Lubrication

- Your appliance requires no additional lubrication.

Storage

- Empty the container.
- Clean the vacuum inside and outside, refer to the Cleaning section.
- Clean or replace filters, refer to the Filters section.
- To prevent back injuries, remove a full disposal collection bag, or drain vacuumed up fluid before transporting the vacuum cleaner.
- Wind the cable around the carrying handle and wrap suction hose around container.
- Carry the vacuum cleaner only by the carrying handle.
- Store appliance and accessories in a safe place.
- Place the unit and accessories in a dry room and secure it from unauthorised use. Store out of reach of children.

ENVIRONMENTAL PROTECTION 

Recycle raw materials instead of disposing as waste.

Accessories and packaging should be sorted for environmental-friendly recycling.



Separate collection. This product must not be disposed of with normal household waste.

Household User

Local regulations may provide for separate collection of electrical products from the household, at municipal waste sites or by retailer when you purchase a new product.

Please call Trend Customer Services for advice as to how to dispose of unwanted Trend electrical products in an environmentally safe way or visit www.trend-uk.com

Business User

Please call Trend Customer Services for disposal of unwanted Trend electrical products.

GUARANTEE

The unit carries a manufacturers guarantee in accordance with the conditions on the enclosed guarantee card.

For the location of your nearest Trend Service Agent, please call Trend Customer Services or see stockist locator on www.trend-uk.com

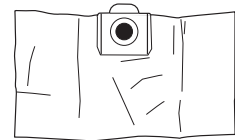
ACCESSORIES

Please use only Trend original accessories.

Filter Bag

For dry use only.

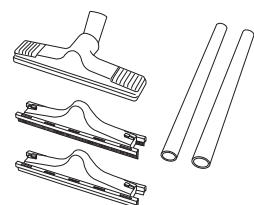
Ref. T35/1	1 off
T35/5	5 off
T35/10	10 off



Deluxe Cleaning Kit

Deluxe universal spout with wheels, metal tubes, wiper insert and brush insert.

Ref. T35/3



Please use only Trend original spare parts.

T35 - SPARE PARTS LIST			v2.0 06/2017
No.	Qty.	Desc.	Ref.
1	1	Handle	WP-T35/001
2	1	Motor Housing	WP-T35/002
3	2	Container Catch	WP-T35/003
4	1	Indicator Light	WP-T35/004
5	1	Air Outlet Grid	WP-T35/005
6	1	Switch	WP-T35/006
7	1	Switch Panel	WP-T35/007
8	1	Auto Start Socket 240V UK Plug, Cover and Spacer	WP-T35A/008
	1	Auto Start Socket 115V UK Plug and Cover	WP-T35AL/008
	1	Auto Start Socket 230V Euro Plug and Cover	WP-T35EUR/008
9	1	On/Off Dial	WP-T35/009
10	1	Cage	WP-T35/010
11	1	Float	WP-T35/011
12	1	Pressure Switch	WP-T35/012
13	1	Motor Gasket Lower	WP-T35/013
14	1	Motor with Leads 240V	WP-T35/014
	1	Motor with Leads 115V	WP-T35L/014
15	1	Motor Gasket Upper	WP-T35/015
16	1	Upper Motor Housing	WP-T35/016
17	1	Shaker Solenoid Pump with Screws 240v (T35A & T35A/EURO)	WP-T35/017
	1	Shaker Solenoid Pump with Screws 115v (T35AL)	WP-T35L/017
18	2	Plastic Tube 478mm	WP-T31/018
19	1	Universal Spout	WP-T31/019
20	1	Creative Tool 35mm ID	WP-T31/020
21	1	Hose and Handle with Air Control Valve	WP-T31/021
22	1	3 Core Cable with Plug 240V UK	WP-T31/011
	1	2 Core Cable with Plug 230V Euro	WP-T35EUR/022
	1	3 Core Cable with Plug 115V UK	WP-T35L/022
23	1	Cable Plate	WP-T35/023
24	1	Upholstery Spout	WP-T31/024
25	1	Lower Motor Housing	WP-T35/025
26	2	Filter Clip	WP-T35/026
27	1	Power Tool Adaptor	WP-T31/027
28	1	Hose Spout 35mm OD	WP-T31/028
29	1	Circuit Board with Leads 230V	WP-T35/029
	1	Circuit Board with Leads 115V	WP-T35L/029
29A	1	Floor Spout Brush for Floors	WP-T31/029
30	1	Floor Spout Wiper for Liquids	WP-T31/030
31	1	Cage Gasket	WP-T35/031
32	6	Screw Self Tapping Pan 3.5mm x 16mm Pozi	WP-T31/032
33	1	Container Housing	WP-T35/033
34	2	Large Wheel	WP-T35/034
35	2	Castor 40mm	WP-T35/035
36	1	Anti-vibration Support	WP-T35/036
37	1	Hose 39mm x 5mm with Adaptor & Bayonet	WP-T35/037
38	8	Screw Self Tapping Pan 5mm x 32mm Pozi	WP-T35/038
39	1	Cable Gland	WP-T35/039
40	1	Container Deflector Bayonet	WP-T35/040
41	1	Hose Bayonet Fitting	WP-T35/041

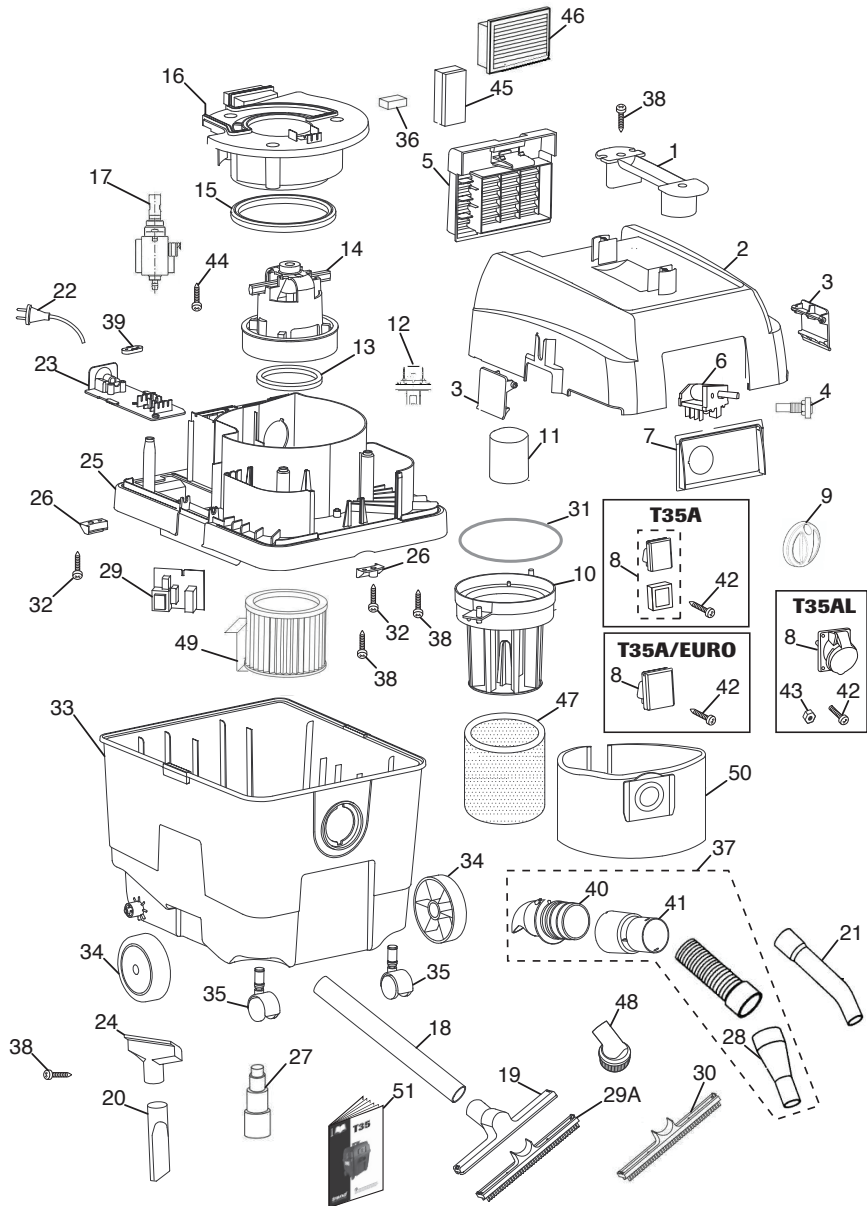
T35 - SPARE PARTS LIST			v2.0 06/2017
No.	Qty.	Desc.	Ref.
42	4	Screw Self Tapping Pan 35mm x 30mm Pozi (T35A)	WP-T35/042A
	4	Machine Screw Csk M5 x 25mm Pozi (T35AL)	WP-SCW/117
	4	Screw Self Tapping Pan 3.5 x 11mm Pozi (T35A & T35/EURO)	WP-T35/042
43	4	Hex Nut M5 Nyloc (T35AL)	WP-NUT/27
44	2	Machine Screw M4 x 10mm Pozi	WP-SCW/68
45	1	Carbon Filter	T35/6
46	1	HEPA Filter	T35/5
47	1	Polyurethane Foam Filter	T35/4
48	1	Round Brush	T31/3
49	1	Cartridge Filter HEPA	T35/2
50	1	Micro Filter Bag	T35/1
51	1	Manual	MANU/T35

PROBLEM	SOLUTION
Motor does not start	The ON/OFF switch is not activated. Power cable is not attached to power supply. Fuse of the plug has blown requiring replacement of fuse.
Suction capacity decreases.	Remove blockages in the suction nozzle, suction tube, suction hose or filters. Replace the paper collection bag. Check for proper installation of the filters. Clean or replace the filters.
Vacuum stops running.	<ol style="list-style-type: none"> 1. Turn the vacuum off and disconnect vacuum cleaner from power source. 2. Empty the canister, if needed. 3. Allow the unit to cool. 4. Plug the power cable into an appropriate outlet and turn on/off switch to the ON position to test. If vacuum will not restart contact your seller or check the location of your nearest authorised Trend Service Agent on the website.
Dust comes out while vacuuming	Check for proper installation of the filters. Ensure filters are not damaged; replace if necessary. Ensure filter seals are in place and are secure.
No suction power during wet cleaning.	Container is full; float has closed the suction opening. Switch off cleaner and empty the tank.
Power tool does not turn on in AUTO mode.	The switch AUTO is not in position AUTO. Power tool is defective. Check that the power tool works or that the plug is inserted properly.
Airflow indicator light remains on.	Blockage or collection bag is full. Clear blockage or replace collection bag.

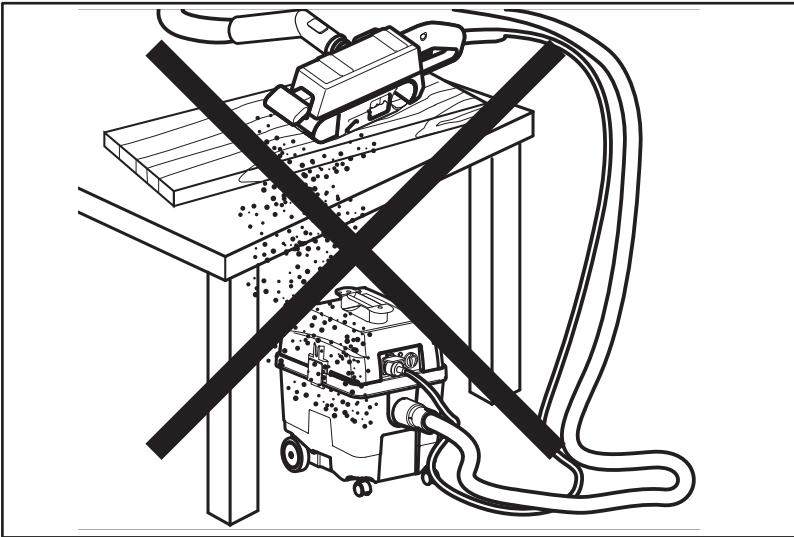
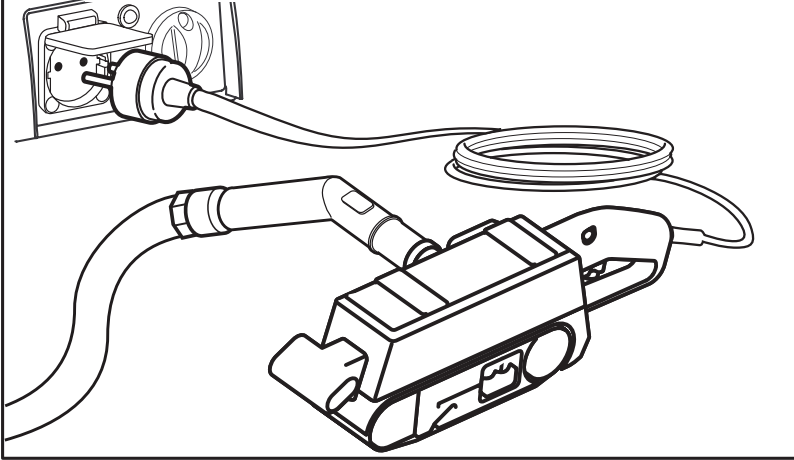
T35 - SPARE PARTS DIAGRAM

v2.0 06/2017

Please use only Trend original spare parts.



2300 W MAX



MANU/T35 v3.0 7.300.0596-01 2022-05



RECYCLABLE

Trend Machinery & Cutting Tools Ltd.

Odhams Trading Estate St Albans Road
Watford WD24 7TR England

Tel: 0044(0)1923 249911

technical@trendm.co.uk

www.trend-uk.com

© Copyright Trend 2017, 2018. No part of this publication may be reproduced, stored or transmitted in any form without prior permission. Our policy of continuous improvement means that specifications may change without notice.

Trend Machinery and Cutting Tools cannot be held liable for any material rendered unusable or any form of consequential loss. E&OE

© All registered trademarks acknowledged.