

# Instruction Manual

## \_\_\_\_\_ Dry Vacuum Cleaner

\_\_\_\_\_ dryCAT 15

\_\_\_\_\_ dryCAT 15 B



dryCAT 15



dryCAT 15 B

DRYCAT SERIES

## Imprint

### Product identification

Dry Vacuum Cleaner	Item number
dryCAT 15	7002105
dryCAT 15 B	7002106

### Manufacturer

Stuermer Maschinen GmbH  
 Dr.-Robert-Pfleger-Str. 26  
 D-96103 Hallstadt

Fax: 0049 (0) 951 96555 - 55  
 E-Mail: info@cleancraft.de  
 Internet: www.cleancraft.de

### Indications regarding the operating instructions

Original Instructions  
 according to DIN EN ISO 20607:2019

Publication: 05.07.2022  
 Version: 1.04  
 Language: English  
 Author: FL/RL

### Indications regarding the copyright

Copyright © 2022 Stürmer Maschinen GmbH, Hallstadt, Germany.

Subject to technical modifications and error.

## Contents

<b>1 Introduction .....</b>	<b>3</b>
1.1 Copyright .....	3
1.2 Customer service .....	3
1.3 Limitation of liability .....	3
<b>2 Safety .....</b>	<b>3</b>
2.1 Symbol explanation .....	3
2.2 Obligations of the operating company .....	4
2.3 Requirements to staff .....	5
2.4 Personal protective equipment .....	5
2.5 General safety regulations .....	5
2.6 Safety instructions Battery dryCat 15B .....	6
2.7 Safety data sheets .....	6
2.8 Safety labels on the dry vacuum cleaner .....	6
<b>3 Intended use .....</b>	<b>7</b>
3.1 Reasonably foreseeable misuse .....	7
3.2 Residual risks .....	7
<b>4 Technical Data .....</b>	<b>7</b>
4.1 Table .....	7
4.2 Type plate .....	8
<b>5 Transport, packaging, storage .....</b>	<b>8</b>
5.1 Transport .....	8
5.2 Packaging .....	8
5.3 Storage .....	8
<b>6 Description of the device .....</b>	<b>8</b>
6.1 Description dryCAT 15 .....	8
6.2 Description dryCAT 15 B .....	8
<b>7 Scope of delivery and accessories .....</b>	<b>9</b>
<b>8 Assembly .....</b>	<b>9</b>
<b>9 Operation .....</b>	<b>10</b>
9.1 Switch on and off .....	10
9.2 Cleaning button .....	11
<b>10 Care, maintenance and repair .....</b>	<b>11</b>
10.1 Care by cleaning .....	11
10.2 Maintenance and repair .....	11
10.2.1 Replacing / cleaning the filter .....	11
10.2.2 Emptying the dirt tank .....	12
10.3 Seal check .....	12
10.4 Charge battery dryCAT 15 B .....	12
<b>11 Troubleshooting .....</b>	<b>13</b>
<b>12 Disposal, recycling of used devices .</b>	<b>13</b>
12.1 Decommission .....	13
12.2 Disposal of electrical equipment .....	13
12.3 Disposal of the dust bags and the filters used .....	13
12.4 Disposal via municipal collection points .....	14
<b>13 Spare parts .....</b>	<b>14</b>
13.1 Ordering spare parts .....	14
13.2 Spare parts drawings .....	15
13.3 Spare parts drawing dryCAT 15 .....	15
13.4 Spare parts drawing dryCAT 15 B .....	16
<b>14 Electrical circuit diagram dryCAT 15</b>	<b>17</b>
<b>15 Wiring diagram dryCAT 15B .....</b>	<b>17</b>
<b>16 EC Declaration of Conformity .....</b>	<b>18</b>

## 1 Introduction

You have made a good choice by purchasing the CLEANCRAFT dry vacuum cleaner.

**Read the operating instructions carefully before starting up the machine.**

This is an important part and must be kept near the machine and accessible to every user.

The operating manual informs you about the proper start-up, the intended use as well as the safe and efficient operation and maintenance of the dry vacuum cleaner. In addition, observe the local accident prevention regulations and general safety regulations for the area of application of the dry vacuum cleaner.

Illustrations in these operating instructions are for basic understanding and may deviate from the actual design.

### 1.1 Copyright

The contents of these instructions are protected by copyright and are the sole property of Stürmer Maschinen GmbH. Their use is permitted within the scope of the use of the dry vacuum cleaner. Any other use is not permitted without the written consent of the manufacturer.

Passing on as well as duplication of this document, utilization and communication of its contents are prohibited, unless expressly permitted. Violations will result in liability for damages. We register trademark, patent and design rights to protect our products, insofar as this is possible in individual cases. We emphatically oppose any infringement of our intellectual property.

### 1.2 Customer service

Please contact your dealer if you have questions concerning your dry vacuum cleaner or if you need technical advice. They will help you with specialist information and expert advice.

**Germany:**

Stürmer Maschinen GmbH  
Dr.-Robert-Pfleger-Str. 26  
D-96103 Hallstadt

**Repair service:**

Fax: 0049 (0) 951 96555-111  
E-Mail: [service@stuermer-maschinen.de](mailto:service@stuermer-maschinen.de)  
Internet: [www.cleancraft.de](http://www.cleancraft.de)

**Spare part orders:**

Fax: 0049 (0) 951 96555-119  
E-Mail: [ersatzteile@stuermer-maschinen.de](mailto:ersatzteile@stuermer-maschinen.de)

We are always interested in valuable experience and knowledge gained from using the application which then could be shared and be valuable to develop our products even further.

### 1.3 Limitation of liability

All information and notes in these operating instructions were summarised while taking applicable standards and rules, the state-of-the-art technology and our long-term knowledge and experiences into consideration.

In the following cases the manufacturer is not liable for damages:

- Non-observance of the operating instructions,
- Inappropriate use
- Use of personnel who are not knowledgeable or skilled,
- Unauthorised modifications
- Technical changes,
- Use of not allowed spare parts.

The actual scope of delivery may deviate from the explanations and presentations described here in case of special models, when using additional ordering options or due to latest technical modifications.

The obligations agreed in the delivery contract, the general terms and conditions as well as the delivery conditions of the manufacturer and the legal regulations at the time of the conclusion of the contract are applicable.

## 2 Safety

This section provides an overview of all important safety packages for the protection of operating personnel as well as for safe and fault-free operation. Other task based safety notes are included in the paragraphs of the individual phases of life.

### 2.1 Symbol explanation

#### Safety instructions

The safety notes in these operating instructions are highlighted by symbols. The safety notes are introduced by signal words which express the concern of the risk.

**DANGER!**

This combination of symbol and signal words indicates an imminently dangerous situation which may lead to death or severe injury if not avoided.

**WARNING!**

This combination of symbol and signal words indicates a potentially dangerous situation which may lead to death or severe injury if not avoided.

**CAUTION!**

This combination of symbol and signal words indicates a potentially dangerous situation which may lead to slight or minor injury if not avoided.

**ATTENTION!**

This combination of symbol and signal words indicates a possibly dangerous situation which may lead to property and environmental damages if they are not avoided.

**NOTE!**

This combination of symbol and signal words indicates a potentially dangerous situation which may lead to material or environmental damage if not avoided.

**Tips and recommendations****Tips and recommendations**

This symbol highlights useful tips and recommendations as well as information for an efficient and trouble-free operation.

It is necessary to observe the safety notes written in these operating instructions in order to reduce the risk of personal injuries and damages to property.

## 2.2 Obligations of the operating company

The operating company is the person who operates the vacuum cleaner for business or commercial reasons by herself, or leaves it to a third party for use or application, and who bears the legal product responsibility for the protection of the user, the staff or for third parties.

### Obligations of the operating company:

If the vacuum cleaner is used for commercial purposes, the operating company of the vacuum cleaner must comply with the legal working safety regulations. Therefore, the safety notes in this operating manual, as well as the safety, accident prevention and environment protection regulations applying for the area of application of the vacuum cleaner must be met. The following applies in particular:

- During the entire lifetime of the vacuum cleaner, the operating company must verify whether the operating manuals prepared by her correspond to the current status of the regulations, and must adapt these if necessary.
- The operating company must be informed about the applying industrial safety regulations and further analyse hazards resulting from the special working conditions at the place of use of the vacuum cleaner. She must implement these in form of operating manuals for the operation of the vacuum cleaner.
- The operating company must unambiguously regulate and determine the responsibilities for installation, operation, troubleshooting, maintenance and cleaning.
- The operating company must ensure that all persons who work with the vacuum cleaner, have read and understood this manual. Furthermore she must instruct the staff in regular intervals and inform them about the hazards.
- The operator must provide the necessary protective equipment to the staff and order the use of the necessary protective equipment in a binding way.

Furthermore the operating company is responsible to keep the vacuum cleaner always in a technically flawless state. Thus, the following applies:

- The operator must ensure that the maintenance intervals described in this manual are kept.
- The operator must have all safety devices checked regularly for their good working order and their integrity.

## 2.3 Requirements to staff

The different tasks described in this manual represent different requirements to the qualification of the persons entrusted with these tasks.



### **WARNING!**

#### **Danger in case of insufficient qualification of the staff!**

Insufficiently qualified persons cannot estimate the risks while using the vacuum cleaner and expose themselves and others to the danger of severe or lethal injuries.

- Have all works only performed by qualified persons.
- Keep insufficiently qualified persons out of the working area.

Only persons reliable working procedures can be expected from, are allowed to perform all works. Persons the responsiveness of which is affected by e. g. drugs, alcohol or medication, are not allowed to work with the machine. The qualifications of the personnel for the different tasks are mentioned below:

#### **Operator:**

The operator is instructed by the operating company about the assigned tasks and possible risks in case of improper behaviour. Any tasks which need to be performed beyond the operation in the standard mode must only be performed by the operator if it is indicated in these instructions and if the operating company expressly commissioned the operator.

#### **Electrically qualified person:**

Electrically qualified person is due to their professional training, knowledge and experience as well as knowledge of the relevant standards and regulations, in a position to carry out work on the electrical systems and to independently recognize and avoid possible dangers.

#### **Qualified personnel:**

Due to their professional training, knowledge and experience as well as their knowledge of relevant regulations the specialist staff is able to perform the assigned tasks and to recognise and avoid any possible dangers themselves.

#### **Manufacturer:**

Certain works may only be performed by specialist personnel of the manufacturer. Other personnel is not authorized to perform these works. Please contact our customer service for the execution of all arising work.

## 2.4 Personal protective equipment

The personal protective equipment serves to protect persons against impairments of safety and health while working. The staff member has to wear personal protective equipment while performing different tasks on and with the machine which are indicated in the individual paragraphs of these instructions.

The personal protective equipment is explained in the following paragraph:



### **Protective gloves**

The protective gloves serve to protect the hands against sharp components as well as against friction, abrasions or deep injuries.



### **Safety boots**

Safety boots protect the feet from being crushed, falling parts and slipping over on slippery ground.



### **Protective clothes**

Protective clothes are made of a tightly fitted fabric without the protruding parts of low tear strength.

## 2.5 General safety regulations

### **Please note the following:**

- Use the protective devices and fasten them securely. Never work without guards and keep them in working order.
- Always keep the dry vacuum cleaner and your working environment clean. Ensure that there is sufficient lighting.
- Turn the dry vacuum off at the on-off switch before disconnecting the power cord from the wall outlet.
- The dry vacuum cleaner must not be modified in its design and must not be used for purposes other than those intended by the manufacturer.
- Never work under the influence of diseases that impair concentration, overtiredness, drugs, alcohol or medication.
- Keep children and persons unfamiliar with the dry vacuum cleaner away from their working environment.
- Do not pull on the power cord to unplug it from the wall outlet. Protect the cord from heat, oil and sharp edges.
- Never use the power cord to move or lift the dry vacuum.
- A damaged power cable must be replaced by the manufacturer or a qualified specialist.
- Immediately eliminate any malfunctions that affect safety.
- Protect the dry vacuum cleaner from moisture (risk of short circuit).
- Before each use, make sure that no parts are damaged on the dry vacuum cleaner.

- Damaged parts must be replaced immediately to avoid sources of danger.
- Do not overload the dry vacuum cleaner! You will work better and safer in the specified power range.
- Make sure that the power cable does not come into contact with the floor brush.
- Use only original spare parts and accessories to avoid possible hazards and accident risks.
- Do not use the dry vacuum to suck up liquids such as water, oil or gasoline.
- Do not vacuum flammable or explosive liquids such as gasoline.
- Do not use this product near flammable or explosive liquids or gases to avoid fires.
- Do not use this product to vacuum objects that easily clog the hose, such as clumps of hair or large paper waste, and clean the clogged hose in a timely manner.
- Never use the dry vacuum cleaner without a filter or dirt container.
- Do not operate the dry vacuum cleaner with wet hands.
- Only use the dry vacuum cleaner for a maximum of 15 minutes at a time. Then allow the motor to cool down for at least 1 minute to prevent damage to the motor.
- Never use the dry vacuum cleaner for more than 4 hours (including breaks) per day !
- Use only original spare parts and accessories
- Never direct the suction opening at sensitive body parts of humans as well as animals - such as eyes, ears, mouth ect.

## 2.6 Safety instructions Battery dryCat 15B

- Charge the battery only with the supplied charger.
- Observe the plus (+) and minus (-) markings on the battery and the device and ensure correct use.
- Do not use batteries that are not intended for use with the instrument.
- Do not mix batteries of different manufacture, capacity, size, or type within one device.
- Remove the battery from the device before storing the aspirator. The storage temperature should be between -10°C and 35°C. After extended storage, it may be necessary to charge and discharge the cells or batteries several times to achieve maximum performance.
- Always keep battery clean and dry. Wipe the battery terminals with a clean, dry cloth if they become dirty.
- Do not expose the battery to heat or fire. Avoid storing in direct sunlight.
- If possible, remove the battery from the instrument when not in use. Do not expose it to heat above 60°C. Do not use it when it expands greatly.
- Charge and discharge the battery every month.
- Do not use a visibly damaged battery.
- Never short-circuit the battery.
- Do not arbitrarily store the battery in a box or drawer where it can short-circuit or be short-circuited by other metal objects.

- Do not use modified or damaged batteries.
- Disconnect the battery from the instrument before making any adjustments.
- Do not use the battery or charger if they are damaged.
- Do not use non-rechargeable batteries.
- Do not subject the battery to mechanical shocks.
- To prevent fire or explosion, check the battery and charger for damage before use. Do not use the aspirator with a damaged battery.
- Store the battery in a clean, dry and ventilated area, do not allow it to come into contact with corrosive substances and keep it away from sources of fire and heat.
- Do not use the device when the surface of the battery is still hot.
- Remove the battery pack from the device before charging it. To extend the life of the battery pack, do not charge the battery immediately after it is completely discharged, but allow the battery to cool down for a short time.
- If possible, make sure to operate the device at a constant temperature to extend the operating time and battery life.
- The use of rechargeable batteries by children should be supervised.
- If liquid leaks from the battery, do not touch the liquid and take precautions. If the liquid gets on your skin or in your eyes, wash it out immediately with water and seek medical attention.
- Damaged batteries must be removed from the device and disposed of safely. Do not throw the battery away with household waste but dispose of it in accordance with local laws and regulations.

## 2.7 Safety data sheets

Safety data sheets on hazardous materials can be obtained from your specialist dealer or by calling +49 (0)951/96555-0. Specialist dealers can find safety data sheets in the download area of the partner portal.

## 2.8 Safety labels on the dry vacuum cleaner

The following safety labels and instructions are attached to the vacuum cleaner (Fig. 1) and must be observed.



Fig. 1: Safety labels dryCAT 15 (top), dryCA T 15B (bottom)

If safety labels on the machine are damaged or missing, this can cause errors, personal injury and material damage. The safety symbols attached to the machine must not be removed. Damaged safety symbols must be replaced immediately.

As soon as the signs are not clearly visible and comprehensible at first glance, the machine must be stopped until new signs have been attached.

### 3 Intended use

The dry vacuum cleaner is intended for vacuuming small areas to remove dust and light dirt indoors. Intended use also includes compliance with all the information in these instructions.

#### 3.1 Reasonably foreseeable misuse

Any use beyond the intended use or any other use is considered misuse.

**Possible misapplications can be:**

- Modifications to the dry vacuum cleaner or its accessories.
- Use of accessories or spare parts not approved by the manufacturer.
- Non-compliance with the maintenance instructions.
- Failure to observe the signs of wear and damage.
- Service work performed by untrained or unauthorized personnel.
- Misuse of the dry vacuum cleaner.
- Sucking up objects that easily clog the hose, e.g. clumps of hair, large paper waste.
- Operating the dry vacuum cleaner if the operating instructions have not been read and understood.
- Deliberate or careless handling of the dry vacuum cleaner during operation.
- Exceeding the specified operating times.

Misuse of the dry vacuum cleaner can lead to dangerous situations.

Stürmer Maschinen GmbH accepts no liability in the event of design or technical modifications to the unit.

Claims of any kind for damage due to improper use are excluded.

#### 3.2 Residual risks

Even if all safety instructions are observed and the dry vacuum cleaner is used according to the instructions, there are still residual risks, which are listed below:

- Risk of injury to the upper limbs (e.g. hands, fingers).
- Electrical hazard due to contact with parts and high voltage (direct contact) or with parts under a high voltage due to a defect of the device (indirect contact).

## 4 Technical Data

### 4.1 Table

Model	dryCAT 15	dryCAT 15 B
Length	277 mm	277 mm
Width/depth	208 mm	208 mm
Height	327 mm	327 mm
Weight	3 kg	3 kg
Supply voltage	230 V	18 V
Airflow	1400 l/min	900 l/min
Filter surface	1550 cm <sup>2</sup>	1550 cm <sup>2</sup>
Tank volume	5 Liter	5 Liter
Tank material	PP	PP
Hose diameter	32 mm	32 mm
Sound pressure level	74 dB(A)	63 dB(A)
Cable length	6 Meter	
Motor cooling	Bypass	Bypass
Negative pressure	160 mbar	70 mbar
Absorbed power drive motor	0,85 kW	0,2 kW
Drive motor output	0,13 kW	0,025 kW
Efficiency	16 %	16 %
Motor speed	30000 min <sup>-1</sup>	36000 min <sup>-1</sup>
Total current draw	3,8 A	10 A
Protection class drive motor	IPX0	IPX0
Rechargeable battery type		Lithium
Rechargeable battery voltage		18 V
Rechargeable battery capacity		2,0 Ah
Rechargeable battery runtime approx.		ca. 15 Min.
Output power		0,4 A
Charger supply voltage		100 - 240 V
Charger mains frequency		50 - 60 Hz

## 4.2 Type plate

Trockensauger Dry vacuum cleaner		CE	
Typ Type	dryCAT 15	Serien-Nr. Serial no.	
Artikel-Nr. Item no.	7002105	Baujahr Year of manufacture	
Abgabeleistung Output power	130 W	Aufnahmeleistung Input power	850 W
Netzanschluss Power connection	230 V / 50 Hz	Max. Volumenstrom Max. air flow	1400 l/min
Behältervolumen Tank capacity	5 l	Schalleistungspegel Sound power level	74 dB(A)
Schutzart Protection class	IPX0	Max. Unterdruck Max. negative pressure	160 mbar
Gewicht Weight	3 kg	Betriebsart bei 15 min Operating mode at 15 min	S3 95%
www.cleancraft.de		Stürmer Maschinen GmbH Dr.-Robert-Pfleger-Str. 26, 96103 Hallstadt Deutschland / Germany	

Fig. 2: Type plate dryCAT 15

## 5 Transport, packaging, storage

### 5.1 Transport

Check the dry vacuum cleaner after delivery for visible transport damage. If you discover damage to the dry vacuum cleaner, immediately report it to the transport company or the dealer.

### 5.2 Packaging

All packaging materials and packing aids used for the dry aspirator are recyclable and must always be sent for material recycling.

Shred cardboard packaging components and take them to the waste paper collection.

The foils are made of polyethylene (PE) and the padding parts of polystyrene (PS). These materials should be taken to a collection point for recyclable materials or to your local waste disposal company.



#### WARNING!

#### Danger to life!

The packaging elements may present potential hazards (e.g. plastic bags):

- Keep packaging material inaccessible to children and persons who are not aware of its action or animals.

### 5.3 Storage

Store the dry aspirator in a dry, clean and frost-free environment. Remove the rechargeable battery (dryCAT 15B) when storing the dry aspirator for a longer period of time.

## 6 Description of the device

### 6.1 Description dryCAT 15

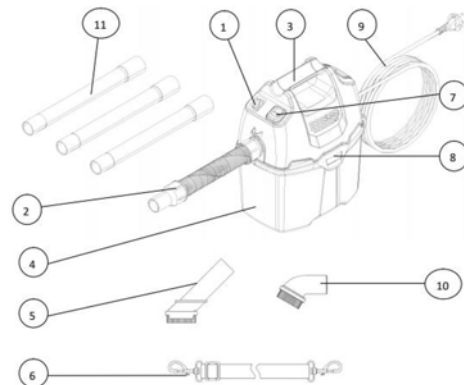


Fig. 3: Description dryCAT 15

- 1 On / Off switch
- 2 Suction hose
- 3 Carrying handle
- 4 Dirt container
- 5 2-in-1 flat nozzle
- 6 Carrying strap
- 7 Cleaning button
- 8 Housing lock
- 9 Power cord
- 10 Round brush
- 11 Connecting tubes

### 6.2 Description dryCAT 15 B

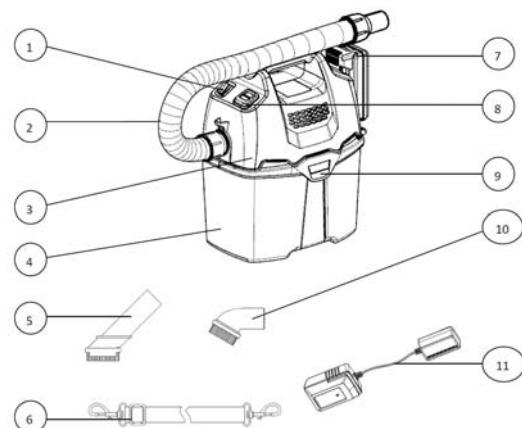


Fig. 4: Description dryCAT 15 B

- 1 On / Off switch
- 2 Suction hose
- 3 Housing
- 4 Dirt container
- 5 2-in-1 flat nozzle
- 6 Carrying strap
- 7 Rechargeable battery
- 8 Cleaning button
- 9 Housing lock
- 10 Round brush
- 11 Charger



## 7 Scope of delivery and accessories

The dryCAT 15 dry vacuum cleaner is supplied with:

- Cable 6,0 mtr.
- Suction hose 0,5m x Ø 32 mm
- Round nozzle with brush
- Crevice nozzle
- Silencer
- Shoulder strap

The dryCAT 15B dry vacuum cleaner is supplied with:

- Battery 18V 2Ah (Li-Ion battery). For the safety data sheet please contact your dealer or call +49 (0)951/96555-0
- 0,4A charger
- Suction hose 0,5m x Ø 32 mm
- Round nozzle with brush
- Crevice nozzle
- Shoulder strap

### Accessories for dryCAT 15 and 15 B

Item	Item number
Hose Ø 32 mm / 0.5 - 1.6 m with connections	7013550
Round nozzle with brush Ø 32 mm	7013551
Joint nozzle	7013552
Shoulder strap	7013553
Muffler (only dryCAT 15)	7013555
Suction tube Ø 32 mm / 3 x 0.33 m, plastic	7013556
Charger 0,4 A	7013541
Battery 18V / 2,0 Ah	7013542
Battery 18V / 4,0 Ah	7013547
Charger 2,0 A	7013548

## 8 Assembly

To make the dry vacuum cleaner ready for operation, please proceed as follows:

Step 1: Remove the packaging of the dry vacuum cleaner and check that there is no damage to the dry vacuum cleaner. Remove the scope of delivery from the container by opening the latch on the side of the upper part of the housing.

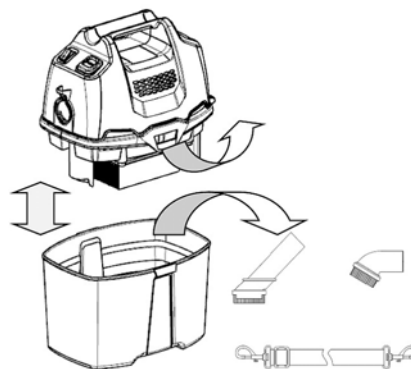


Fig. 5: Assembly of the device

Step 2: Replace the housing top onto the container and close it.

Step 3: Attach the shoulder strap by hooking the single hook near the switch side and the double hook near the battery side.

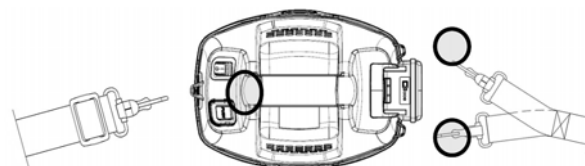


Fig. 6: Attach carrying strap

Step 4: Align the latch of the hose with the recess on the front of the cover, insert the hose and turn it clockwise until it is firmly locked in place.

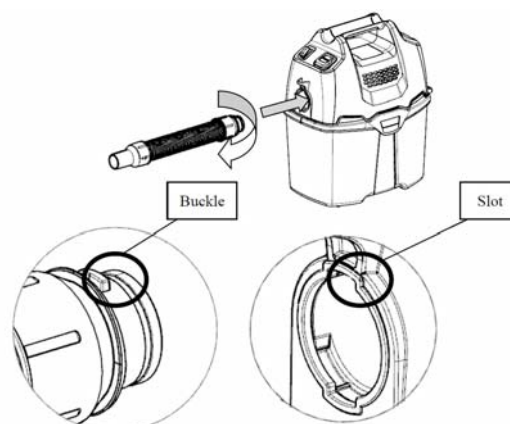


Fig. 7: Mounting the suction hose

Step 5: Insert the other side of the flexible hose into the suction tube (Fig.8). Turn the handle to make a tight connection.

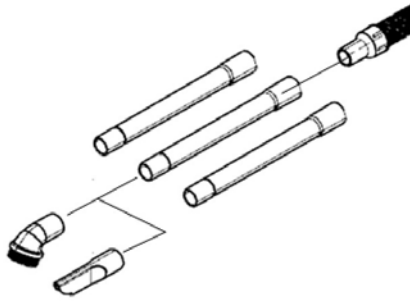


Fig. 8: Assembly of the suction tube

Step 6: Connect the suction tube to the extension or floor nozzle (Fig.9) or other desired brush. Turn the suction tube to make a tight connection.

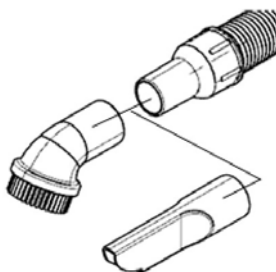


Fig. 9: Mounting the floor nozzle

Step 7: Place the battery (dryCAT 15 B) in the battery holder Pos.4 (Fig.10). You can check the battery capacity by pressing the button Pos.3 (Fig.10)..

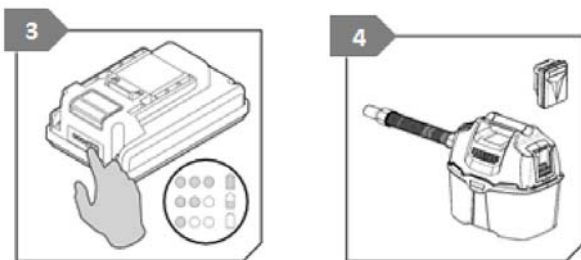


Fig. 10: Insert battery

## 9 Operation



### DANGER!

Use the device only for vacuuming dry dust and light dirt.

- The dry vacuum cleaner is not suitable for sucking up hazardous dust. Never vacuum glowing, flammable, explosive or toxic substances.
- Do not vacuum any substances or materials that can damage the filter elements (e.g. glass splinters, metal, etc.).

- Switch off the dry vacuum cleaner for 1 minute for every 15 minutes of operation so that the motor can cool down. To ensure a long service life of the electrical components, do not operate the dry vacuum cleaner for more than 4 hours (including break) per day.
- Always keep the dirt container closed while the dry vacuum cleaner is in operation!
- The power cord (only for dryCAT 15 model) must be completely unrolled before using the dry vacuum cleaner. Do not operate the device with the cable rolled up!

### 9.1 Switch on and off

#### Start

- Insert the plug (dryCAT 15) of the dry vacuum cleaner into a socket or insert the rechargeable battery (dryCAT 15 B) into the dry vacuum cleaner.
- Press the on/off switch.



Fig. 11: ON / OFF Switch

#### Stop

- Switch off the device and disconnect the plug or remove the battery.
- When pulling out the plug, always touch the plug, not the cable.

## 9.2 Cleaning button

Once the suction power of the vacuum is significantly weakened, block the end of the hose with one hand, press the cleaning button with the other hand 5-10 times continuously every 10 seconds, and then release the end of the hose.

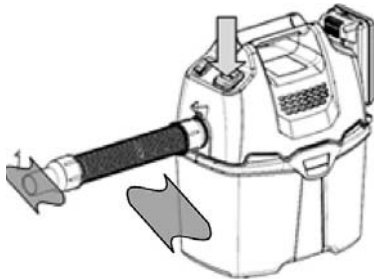


Fig. 12: Cleaning button

## 10 Care, maintenance and repair



### DANGER!

#### Danger of potentially fatal electric shock!

There is a risk of fatal injury from contact with live parts. Electrical components which are switched on can carry out uncontrolled movements and cause serious injuries.

- Disconnect the mains plug before starting cleaning and maintenance work.

### 10.1 Care by cleaning

The dry vacuum cleaner must always be kept in a clean condition.

The motor ventilation slots must be kept clean to ensure sufficient cooling.

Clean all parts of the dry vacuum cleaner after use. Empty the container, tap out the filter and wipe the vacuum with a cloth.

### 10.2 Maintenance and repair



### DANGER!

Maintenance and repairs must always be carried out by qualified personnel; any damaged parts must only be replaced with original spare parts.

### General maintenance instructions

- Regularly check the seals, plastic parts, filters and switches for damage and replace them if necessary.

If the dry vacuum cleaner does not function properly, contact a specialist dealer or our customer service.

#### 10.2.1 Replacing / cleaning the filter



### DANGER!

- Clean the filter after each use or replace it if necessary.
- Never operate the dry vacuum cleaner without the filter.

Step 1: Switch off the dry vacuum cleaner and disconnect it from the power supply or remove the battery.

Step 2: Remove the upper part of the container after opening the side latches.

Step 3: Turn the container head down and place it on the floor.

Step 4: Loosen the 4 screws.

Step 5: Remove the retaining ring.

Step 6: Loosen and remove the filter.

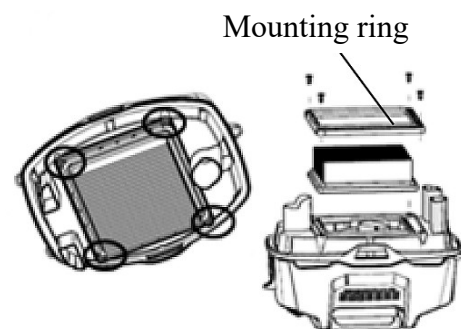


Fig. 13: Remove filter

Step 7: Clean the filter with water and let it dry completely (Fig.14).

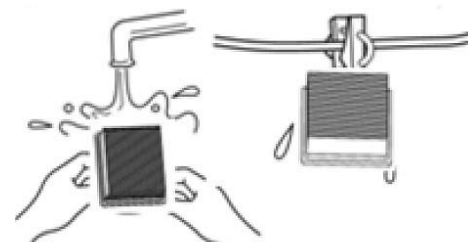


Fig. 14: Cleaning and drying the filter

Step 8: Replace the filter after it is completely dry, in reverse order.

### 10.2.2 Emptying the dirt tank

Step 1: Switch off the dry vacuum cleaner and disconnect it from the power supply or remove the battery.

Step 2: Remove the upper part of the container after opening the side lock (Fig.15).

Step 3: Empty the contents of the dirt container properly (Fig.15).

Step 4: Place the upper part of the container back in the correct position on the dust collector and lock the buckles..

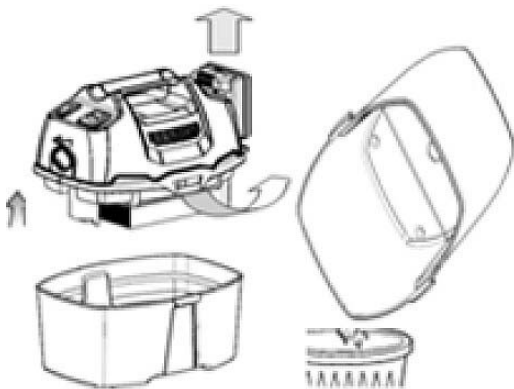


Fig. 15: Opening the dirt tank

### 10.3 Seal check

Over time, it is possible that the seals partially lose their function. This leads to a decrease in suction performance.

We recommend checking the sealing hooks, the flexible suction hose and the seals for proper function at regular intervals.

### 10.4 Charge battery dryCAT 15 B

Step 1: Remove the battery from the dry vacuum.

Step 2: Insert the battery into the charger provided.

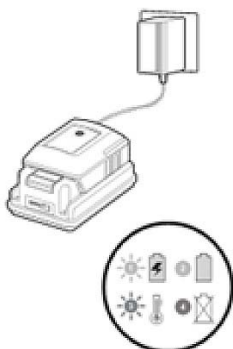


Fig. 16: Charge the Battery

### Green light flashes

Normal charging

### Green light is on

The charging process is completed.

### Red flashing light

The temperature of the battery exceeds 4 °C - 47 °C. Stop the charging process and disconnect the power supply to the charger.

### Red light is on

After 30 minutes of charging, if you determine that the battery is not charging, stop charging.

### Battery status

Insert the battery into the charger provided for this purpose.

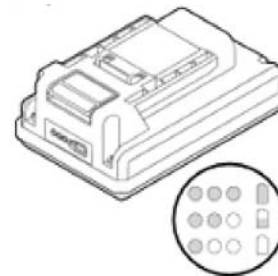


Fig. 17: Battery status

Three LED's on: 78% -100%

Two LED's on: 50% -78%

One LED on: 1.3% -50%

Once all LEDs are off, it is recommended to charge the battery.

## 11 Troubleshooting



### DANGER!

If any of the following errors occur, stop working with the machine immediately. Before you start troubleshooting, switch off the machine and disconnect the power plug. Serious injury could result. All repairs or replacements may only be carried out by qualified and trained personnel.

Fault	Possible Cause	Remedy
Das Gerät startet nicht.	<ol style="list-style-type: none"> <li>1. Mains plug is not plugged in.</li> <li>2. Supply cables defective.</li> <li>3. Switch defective.</li> <li>4. Motor defective.</li> <li>5. Plug defective.</li> </ol>	<ol style="list-style-type: none"> <li>1. Plug in the power plug.</li> <li>2. Call service engineer.</li> <li>3. Call service engineer.</li> <li>4. Call service engineer.</li> <li>5. Call service engineer.</li> </ol>
The motor switches off.	<ol style="list-style-type: none"> <li>1. Engine temperature too high.</li> </ol>	<ol style="list-style-type: none"> <li>1. Set switch to OFF. Wait 10 minutes, let the motor cool down.</li> </ol>
The suction power is reduced.	<ol style="list-style-type: none"> <li>1. Container is full.</li> <li>2. Hand tube, hose or nozzle clogged.</li> <li>3. A component of the Dry Vacuum Cleaner is damaged.</li> <li>4. Filter is clogged.</li> <li>5. Filter is not inserted correctly.</li> <li>6. connection between hose and device has loosened.</li> </ol>	<ol style="list-style-type: none"> <li>1. The tank must be emptied.</li> <li>2. Clean the hand tube, hose or nozzles.</li> <li>3. Replace the damaged part of the Dry Vacuum Cleaner.</li> <li>4. Clean the filter using the filter cleaning system.</li> <li>5. Check the filter and insert it correctly.</li> <li>6. Tighten the connection between the hose and the device.</li> </ol>

## 12 Disposal, recycling of used devices

Please take care in your own interest and in the interest of the environment that all component parts of the machine are only disposed of in the intended and permitted way.

### 12.1 Decommission

Disused equipment must be taken out of service immediately in order to avoid later misuse and endangering the environment or people.

- Remove all environmentally hazardous fluids from the old unit.
- If necessary, dismantle the machine into manageable and usable assemblies and components.
- Guide the machine components and operating materials to the appropriate disposal routes.

### 12.2 Disposal of electrical equipment

Please note that electrical appliances contain a variety of recyclable materials as well as environmentally harmful components.

Make sure that these components are disposed of separately and properly. In case of doubt, please contact your municipal waste disposal.

If necessary, the help of a specialized waste disposal company can be used for the treatment.

### 12.3 Disposal of the dust bags and the filters used

The dust bags and filters are made of environmentally friendly materials. You can dispose of the filters with normal household waste. This also applies to the dust bag, provided it does not contain any dirt that is prohibited in household waste.

## 12.4 Disposal via municipal collection points

Disposal of used electrical and electronic equipment (to be used in the countries of the European Union and other European countries with a separate collection system for this equipment).



The symbol on the product or its packaging indicates that this product is not to be treated as normal household waste and must be returned to a collection point for the recycling of electrical and electronic equipment. By contributing to the proper disposal of this product, you protect the environment and the health of your fellow human beings. Environment and health are endangered by incorrect disposal. Material recycling helps to reduce the consumption of raw materials. For more information about recycling this product, contact your local community, municipal waste management company or the store where you purchased the product.

## 13 Spare parts



### DANGER!

#### Danger of injury by the use of wrong spare parts!

Dangers may result for the user and damages as well as malfunctions may be caused by using wrong or damaged spare parts.

- Only use original spare parts of the manufacturer or spare parts admitted by the manufacturer.
- Always contact the manufacturer in case of uncertainties.



### Tips and recommendations

The manufacturer's warranty will become null and void if non-permissible spare parts are used.

### 13.1 Ordering spare parts

The spare parts may be purchased with the authorised dealer.

Indicate the following basic information for requests or orders of spare parts:

- Type of device
- Item No.
- Position No.
- Year of construction:
- Quantity
- Required mode of dispatch (mail, freight, sea, air, express)
- Address of dispatch

Spare part orders which do not include the above indications may not be taken into consideration. If the indications regarding the mode of dispatch are missing, the product is dispatched at the discretion of the supplier.

You will find information regarding the device type, item No. and year of manufacture on the type plate fixed to the vacuum cleaner.

#### Example

The engine for the vacuum cleaner dryCAT 15 must be ordered. The engine has the number 17 in the spare parts drawing 1.

By ordering spare parts, send a copy of the spare parts drawing (1) with the marked part (engine) and marked position number (17) to the dealer or spare parts department and provide the following information

- Type of device: **Dry Vacuum Cleaner dryCAT 15**
- Item number: **7002105**
- Drawing number: **1**
- Position number: **17**

#### The item number of your machine:

Dry Vacuum Cleaner dryCAT 15: 7002105

Dry Vacuum Cleaner dryCAT 15B: 7002106

### 13.2 Spare parts drawings

The following drawings should help to identify necessary spare parts in case of service. To order, send a copy of the parts drawing with the marked components to your authorized dealer.

### 13.3 Spare parts drawing dryCAT 15

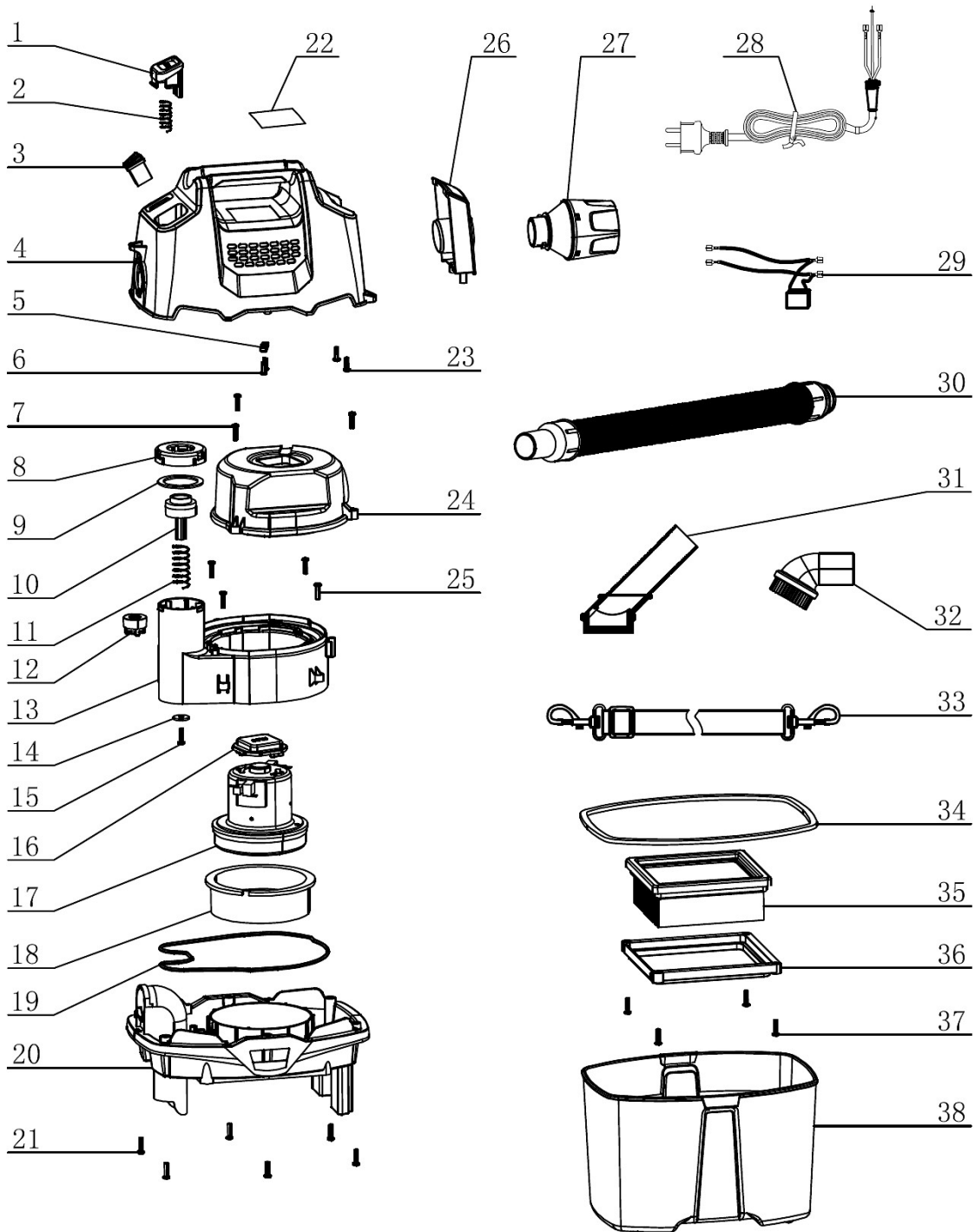


Fig. 18: Spare parts drawing dryCAT 15

### 13.4 Spare parts drawing dryCAT 15 B

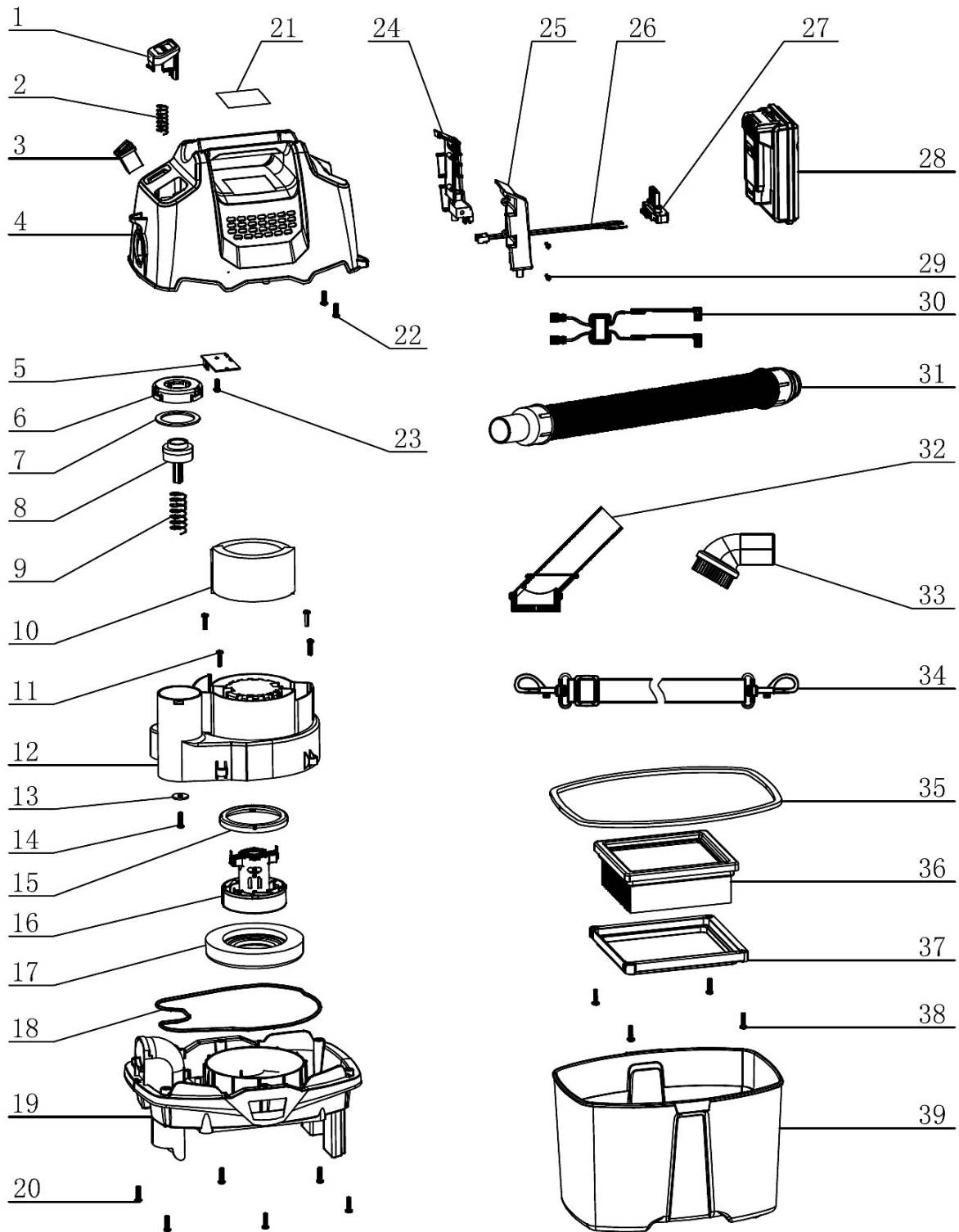


Fig. 19: Spare parts drawing dryCAT 15 B



### 14 Electrical circuit diagram dryCAT 15

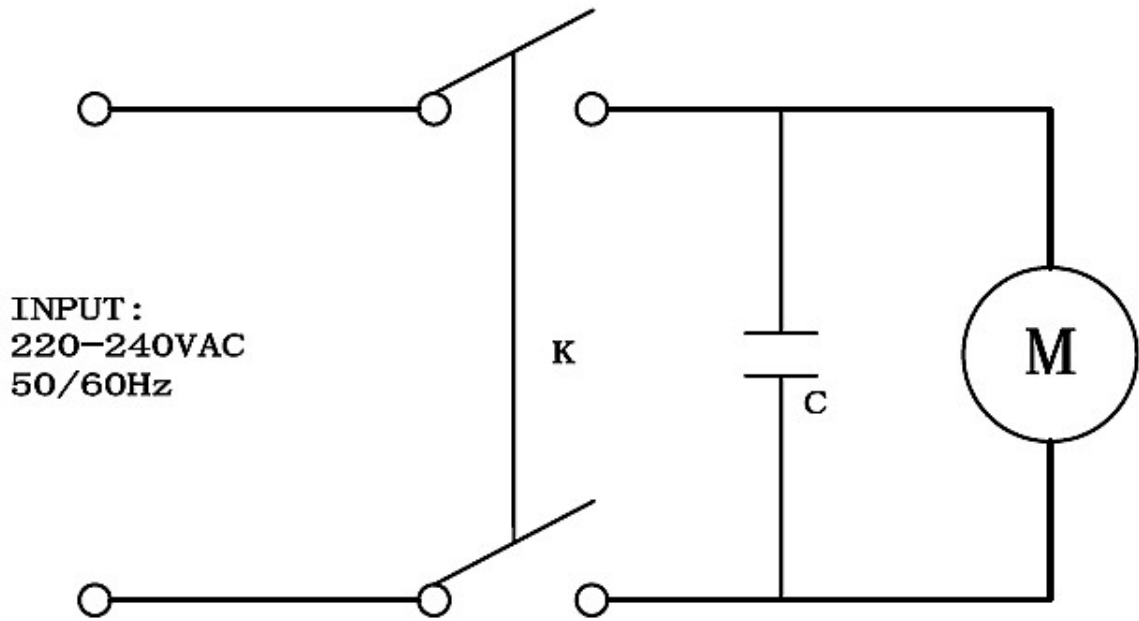


Fig. 20: Electrical circuit diagram dryCAT 15

### 15 Wiring diagram dryCAT 15B

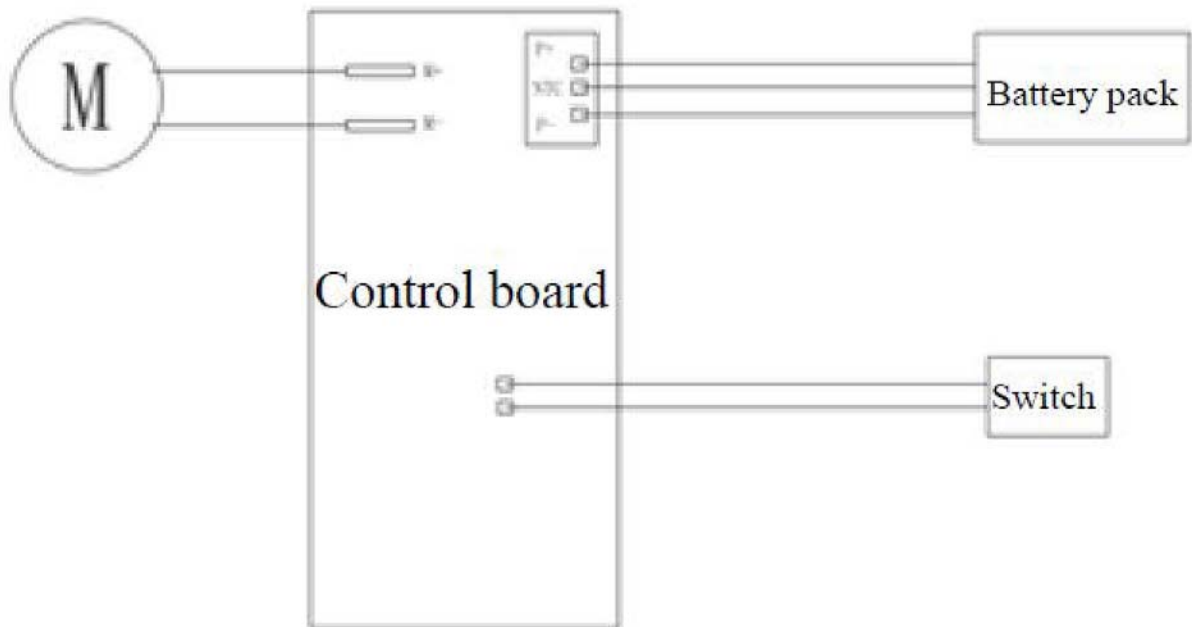


Fig. 21: Wiring diagram dryCAT 15 B

## 16 EC Declaration of Conformity

**Manufacturer / distributor:** Stürmer Maschinen GmbH  
 Dr.-Robert-Pfleger-Str. 26  
 D-96103 Hallstadt

hereby declares that the following product

**Product group:** Cleancraft® Reinigungstechnik

**Machine type:** Dry Vacuum Cleaner

**Designation of the device\*:**  dryCAT 15 **Item number \*:**  7002105  
 dryCAT 15 B  7002106

**Serial number\*:** \_\_\_\_\_

**Year of manufacture\*:** 20\_\_\_\_\_

\*Fill in these fields according to the information on the type plate.

complies with all relevant provisions of the above mentioned directive as well as the other applied directives (below) - including their applicable modifications at the time of the declaration.

**Relevant EU Directives:** 2014/35/EU Low Voltage Directive  
 2011/65/EU RoHS Directive  
 2014/30/EU EMC Directive  
 2012/19/EU WEEE Directive

**Following standards where applied:**

- DIN EN 60335-1:2012-10 Household and similar electrical appliances - Safety - Part 1: General requirements
- DIN EN 60335-2-2:2014-11 Household and similar electrical appliances - Safety - Part 2-2: Particular requirements for vacuum cleaners and water-suction cleaning appliances
- DIN EN 62233:2008-11 Measurement methods for electromagnetic fields of household appliances and similar apparatus with regard to human exposure
- DIN EN 55014-1:2018-08 Electromagnetic compatibility - Requirements for household appliances, electric tools and similar apparatus - Part 1: Emission
- DIN EN 55014-2:2016-01 Electromagnetic compatibility - Requirements for household appliances, electric tools and similar apparatus - Part 2: Immunity - Product family standard
- DIN EN 61000-3-2:2019-12 Electromagnetic compatibility (EMC) - Part 3-2: Limits - Limits for harmonic current emissions (equipment input current ≤ 16 A per phase)
- DIN EN 61000-3-3:2013 Electromagnetic compatibility (EMC) - Part 3-3: Limits - Limitation of voltage changes, voltage fluctuations and flicker in public low-voltage supply systems, for equipment with rated current ≤ 16 A per phase and not subject to conditional connection

**Responsible for documentation:** Kilian Stürmer, Dr.-Robert-Pfleger-Str. 26, D-96103 Hallstadt

Hallstadt, 30.11.2020



Kilian Stürmer  
 Manager



## 17 Notes

