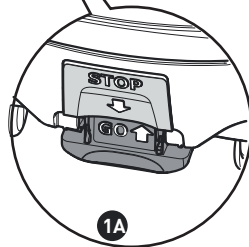
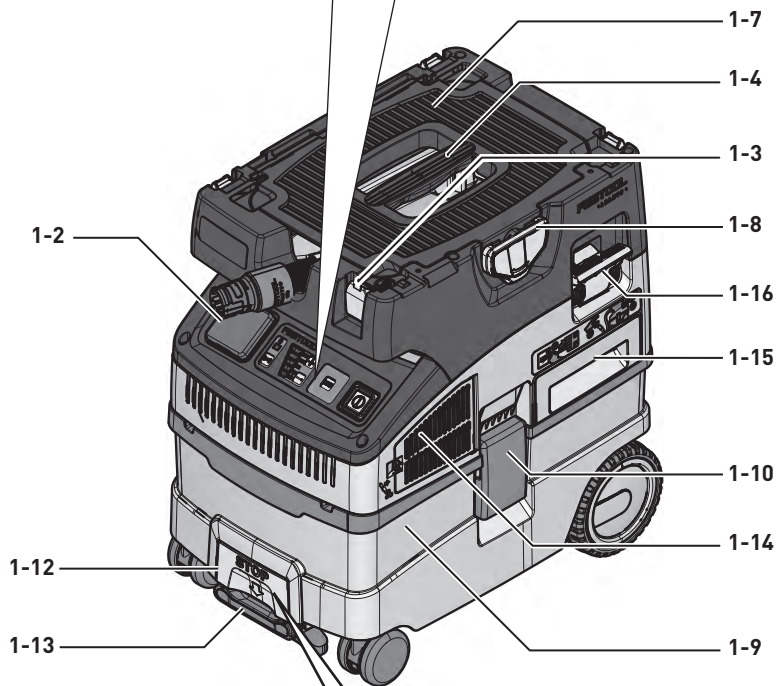
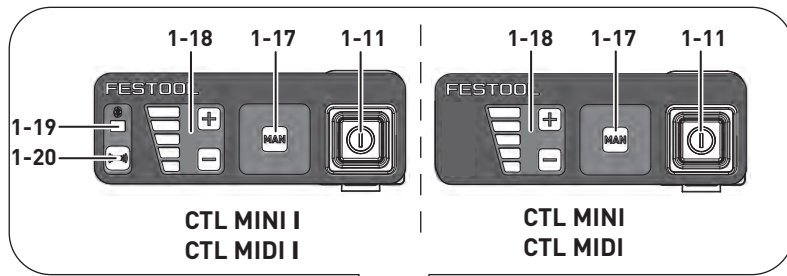


de	Originalbetriebsanleitung - Absaugmobil	8
en	Original Instructions - Mobile dust extractors	15
fr	Notice d'utilisation d'origine - Aspirateurs mobile	22
es	Manual de instrucciones original - Sistemas móviles de aspiración	29
it	Istruzioni per l'uso originali - Unità mobili d'aspirazione	36
nl	Originele gebruiksaanwijzing - Mobiele afzuigapparaten	43
sv	Originalbruksanvisning - Dammsugare	50
fi	Alkuperäiset käyttöohjeet - Siirrettävät imurit	56
da	Original brugsanvisning - Støvsugere	63
nb	Originalbruksanvisning - Mobil støv-/våtsuger	70
pt	Manual de instruções original - Aspiradores móveis	76
ru	Оригинал Руководства по эксплуатации - Пылеудаляющие аппараты	83
cs	Originál návodu k obsluze - Mobilní vysavače	90
pl	Oryginalna instrukcja eksploatacji - Odkurzacze mobilne	97
ko	사용 설명서 원본 - 이동식 집진기	104
zh	原版操作手册 - 移动式集尘器	110

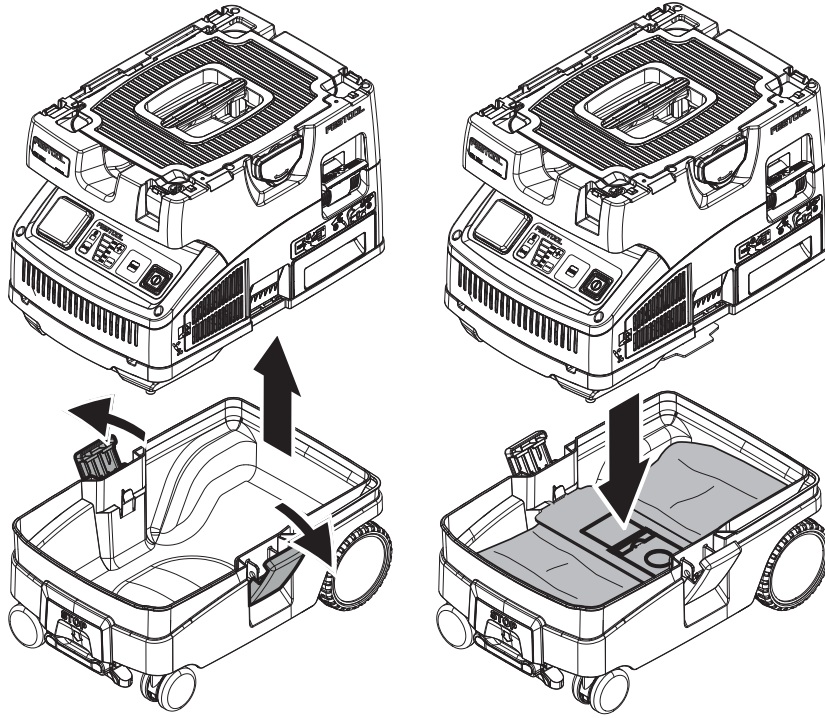
## CTL MINI I CTL MIDI I CTL MINI CTL MIDI



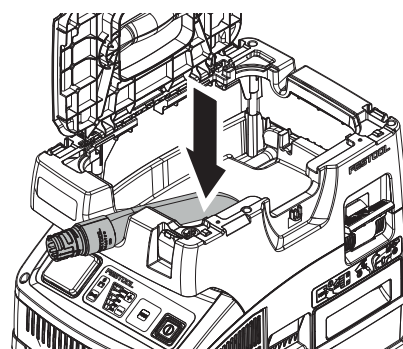
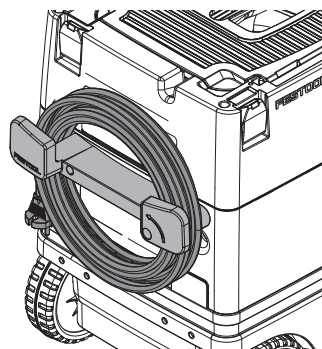
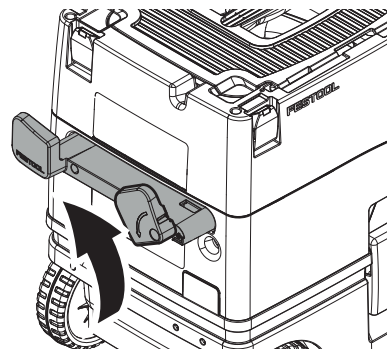
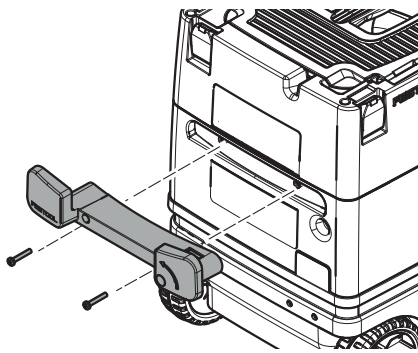
1



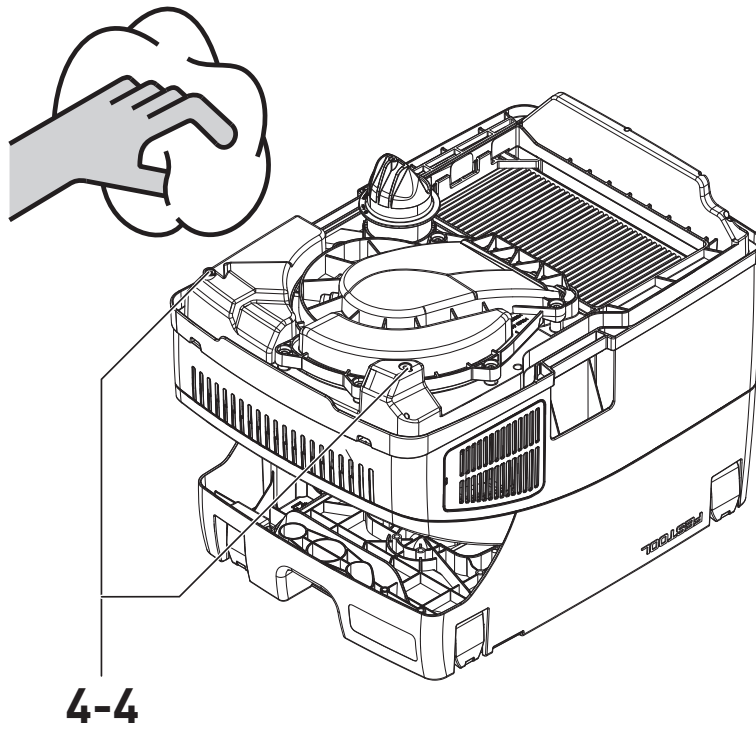
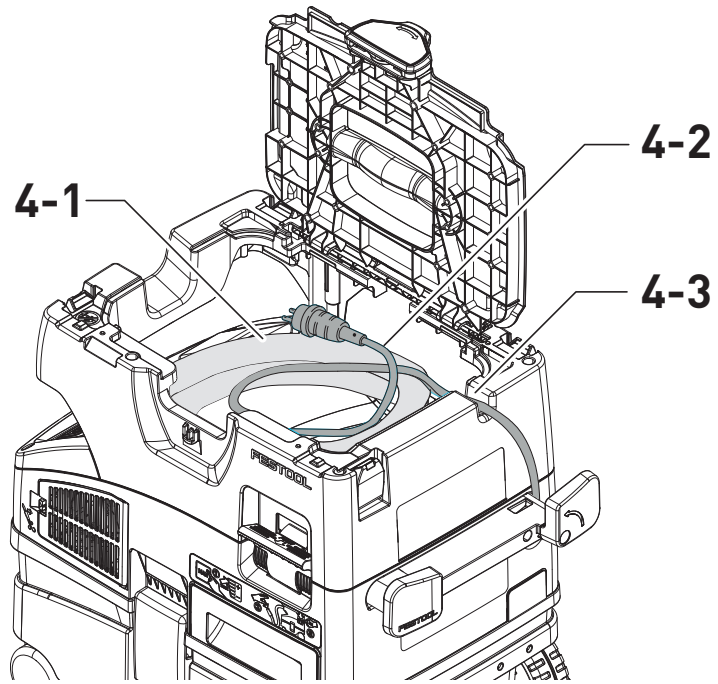
2



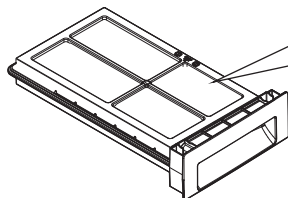
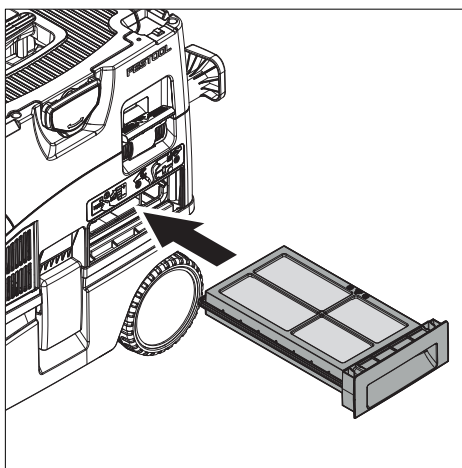
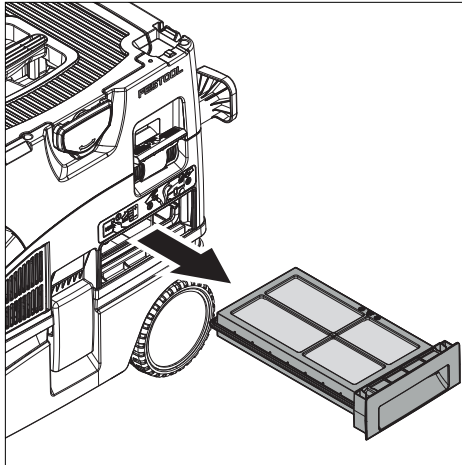
3



**4**



5



		HF-CT MINI/MIDI-2/CT15 204 200
		NF-CT MINI/MIDI-2/CT15 204 202

## *Declaration of Conformity*

We as the manufacturer **Festool GmbH, Wertstraße 20, 73240 Wendlingen, Germany** declare under our sole responsibility that the product(s):

Designation: **Mobile dust extractor**  
Designation of Type(s): **CTL Mini I, CTL Midi I**  
Serial number(s) <sup>1)</sup>: **201918, 201919, 201925, 201926**

fulfills all the relevant provisions of the following UK Regulations:

- S.I. 2008/1597 Supply of Machinery (Safety) Regulations 2008
- S.I. 2017/1206 Radio Equipment Regulations 2017
- S.I. 2012/3032 Restriction of the Use of Certain Hazardous Substances in Electrical and Electronic Equipment Regulations 2012

and are manufactured in accordance with the following designated standards:

- BS EN 60335-1:2012 + A2:2019
- BS EN 60335-2-69:2012
- EN 300 328:2019 V2.2.2
- EN 301 489-1:2017 V2.1.1
- EN 301 489-17:2017 V3.1.1
- BS EN IEC 61000-3-2:2019
- BS EN 61000-3-3:2013
- BS EN IEC 62311:2020
- BS EN IEC 63000:2018


<sup>1)</sup> in the specified serial number range (S-Nr.) from 400000000 - 499999999



Place and date of declaration: Wendlingen, 05.08.2021

Signed on behalf of and in name of Festool GmbH

  
Markus Stark  
Head of Productdevelopment

  
Ralf Brandt  
Head of Productconformity



Absaugmobil Mobile dust extractors Aspirateurs	Seriennummer <sup>1)</sup> (T-Nr.) Serial number <sup>1)</sup> (T-Nr.) N° de série <sup>1)</sup> (T-Nr.)
CTL Mini	203448
CTL Midi	203449
CTL Mini I	201918, 201919, 201917, 201931, 10676336, 10704057
CTL Midi I	201926, 204379, 201922, 201925, 201924, 10676335, 10704056
CTM Midi I	201934, 201933, 10019662, 201935, 10676334, 10704054
CT 15 E	201941, 201944, 201943, 10682075, 10704052

**de EU-Konformitätserklärung.** Wir erklären in alleiniger Verantwortung, dass dieses Produkt mit allen relevanten Anforderungen folgender EU-Richtlinien übereinstimmt, und folgende Normen oder normative Dokumente zugrunde gelegt wurden:

**en EU Declaration of Conformity.** We declare under sole responsibility that this product complies with all the relevant requirements in the following EU Directives, and following standards or normative documents were applied:

**fr Déclaration de conformité de l'UE.** Nous déclarons, sous notre seule responsabilité, que ce produit satisfait à toutes les exigences pertinentes des directives UE suivantes et repose sur les normes ou documents normatifs suivants :

**es Declaración UE de conformidad.** Declaramos bajo nuestra responsabilidad que este producto cumple todos los requisitos relevantes de las siguientes directivas de la UE y que se han tomado como base las siguientes normas o documentos normativos:

**it Dichiarazione di conformità UE.** Dichiariamo sotto nostra unica responsabilità che il presente prodotto sia conforme a tutti i requisiti di rilevanza definiti dalle seguenti Direttive UE e che siano stati applicati le seguenti norme o i seguenti documenti normativi:

**nl EU-conformiteitsverklaring.** Wij verklaren en stellen ons ervoor verantwoordelijk dat dit product volledig voldoet aan alle volgende EU-richtlijnen en volgende normen of normatieve documenten daaraan ten grondslag gelegd werden:

**sv EU-försäkran om överensstämmelse.** Vi förklarar på eget ansvar att denna produkt uppfyller alla relevanta krav enligt följande EU-direktiv och baseras på följande normer eller normgivande dokument:

**fi EU-vaatimusten mukaisuusvakuutus.** Vakuutamme yksinomaisella vastuulla, että tämä tuote täyttää seuraavien EU-direktiivien kaikki olennaiset vaatimukset ja se on seuraavien standardien tai standardiasiakirjojen mukainen:

**da EU-overensstemmelseserklæring.** Vi erklærer med enansvar, at dette produkt er i overensstemmel-

se med alle relevante krav i følgende EU-direktiver, og at følgende standarder eller normative dokumenter danner grundlag for det:

**nb EU-samsvarserklæring.** Vi erklærer under eneansvar at dette produkt oppfyller alle relevante krav i følgende EU-direktiver og at følgende standarder eller normative dokumenter er blitt lagt til grunn:

**pt Declaração de conformidade UE.** Sob nossa inteira responsabilidade, declaramos que este produto está de acordo com todas as exigências relevantes das seguintes diretivas UE, tendo sido tomadas por base as seguintes normas ou documentos normativos:

**ru Декларация о соответствии ЕС.** Мы со всей ответственностью заявляем, что данная продукция соответствует всем применимым требованиям следующих Директив ЕС, стандартов и нормативных документов:

**cs Prohlášení o shodě EU.** Prohlašujeme s veškerou odpovědností, že tento výrobek splňuje všechny příslušné požadavky následujících směrnic EU a že byly použity následující normy nebo normativní dokumenty:

**pl Deklaracja zgodności UE.** Niniejszym oświadczamy na własną odpowiedzialność, że produkt ten spełnia wszystkie obowiązujące wymogi następujących dyrektyw UE, norm lub dokumentów normatywnych.

2006/42/EC, 2014/30/EU<sup>2)</sup>, 2014/53/EU<sup>3)</sup>, 2011/65/EU

EN 60335-1:2012+A11:2014+A13:2017,  
EN 60335-2-69:2012, EN 55014-1:2017<sup>2)</sup>,  
EN 55014-2:2015<sup>2)</sup>, EN 61000-3-2:2014<sup>2)3)</sup>,  
EN 61000-3-3: 2013<sup>2)3)</sup>, EN 300 328 V2.2.2<sup>3)</sup>,  
EN 301 489-1 V2.1.1<sup>3)</sup>, EN 300 330 V2.1.1<sup>3)</sup>,  
EN IEC 62311:2020<sup>3)</sup>, EN IEC 63000:2018



Unterzeichnet für und im Namen von/  
Signed on behalf of and in name of/  
Signé pour et au nom de

### Festool GmbH

Wertstr. 20, 73240 Wendlingen, GERMANY  
Wendlingen, 2022-09-09

ppa.

Markus Stark  
Head of Product Development

i. V.

Denis Drobner  
Head of Product Conformity

<sup>1)</sup> im definierten Seriennummer-Bereich (S-Nr.) von 40000000 - 49999999/  
in the specified serial number range (S-Nr.) from 40000000 - 49999999/  
dans la plage de numéro de série (S-Nr.) de 40000000 - 49999999

<sup>2)</sup> gilt für Geräte ohne Bluetooth®/valid for machines without Bluetooth®/  
s'applique aux dispositifs sans Bluetooth®

<sup>3)</sup> gilt für Geräte mit Bluetooth®/valid for machines with Bluetooth®/  
s'applique aux dispositifs avec Bluetooth®

## Contents

1	Safety instructions.....	15
2	Symbols.....	16
3	Parts of the machine.....	16
4	Technical data.....	16
5	Intended use.....	17
6	Commissioning.....	17
7	Settings.....	18
8	Working.....	19
9	Service and maintenance.....	20
10	Environment.....	20
11	General information.....	21



- **Warning** Device may contain hazardous dust. Only have the device maintained and emptied, and only have the filter replaced by an authorised specialist using suitable protective equipment.
- Always operate with the filter system installed!
- **Risk of explosion and fire: Do not extract:**
  - Sparks or hot dust;
  - combustible or explosive materials (e.g. magnesium, aluminium, petrol, diluting agents);
  - aggressive materials (e.g. acid, alkaline solutions, solvents);
  - chemically reactive materials, which lead to the generation of heat, acids/bases, gases, etc. (e.g. reactive two-component materials, aluminium and water).
- Observe all national safety regulations as well as the material manufacturer's specifications!
- Always use suitable protective equipment!
- If intact following a visual inspection, work in a dry environment according to instructions!
- Check the plug and the cable regularly in order to prevent a hazard. In the event of damage, these must be replaced by an authorised service workshop only.
- Do not lift or transport the device using a crane hook or lifting gear.
- This machine must not be used by people who might have a particularly adverse reaction to an electric shock (e.g. **people with cardiac pacemakers**), because the possibility of the machine building up a static charge cannot be excluded.
- Use only the original Festool suction hose.
- **Pay attention to the work environment and watch out for your own safety and the safety of others when transporting or working with the machine.**  
In this way, you can for example prevent tripping hazards caused by the suction hose or mains cable.
- **Keep packaging film away from children.**  
There is a risk of suffocation.

## 1 Safety instructions



**Warning!** Read and observe all information and safety instructions. Failure to observe the information and safety instructions may lead to electric shocks, fires and/or serious injuries.

**Keep all safety information and instructions for future reference.**

- This appliance must not be used by persons (including children) with reduced physical, sensory or mental capabilities, or lack of experience and knowledge. **Children** need to be supervised to ensure they do not play with the device.
- If the mains power cable is damaged, it must be replaced by an authorised service workshop to prevent it posing a risk.
- **Warning** Operators must be appropriately instructed in the use of this machine.
- The mains plug must always be disconnected from the socket before performing cleaning or maintenance tasks, when replacing consumables or when converting the machine.
- **Warning** Only use the electrical outlet module on the machine for the purposes specified in the instructions.
- **Warning** If foam or fluid starts to escape, switch off the machine immediately.
- **Caution** Regularly clean the water level limiting device and inspect it for signs of damage.
- Sound pressure level as per EN 60335-2-69/uncertainty K  
70 dB(A)/3 dB
- Hand-arm vibration value as per EN 60335-6-69/uncertainty K  
< 2.5 m/s<sup>2</sup> / 1.5 m/s<sup>2</sup>



## 2 Symbols



Warning of general danger



Risk of electric shock



Read the operating instructions/notes.



Wear a dust mask.



**Warning!** The machine may contain hazardous dust!



Suitable for separation of dust with an exposure limit value greater than 1 mg/m<sup>3</sup>



Do not dispose of it with domestic waste.



Climbing prohibited



UKCA marking: The United Kingdom Conformity Assessed symbol is a marking for products being placed on the market in the United Kingdom. It is a manufacturers indication that the product is in conformance with the relevant regulations in the UK.

## 3 Parts of the machine

[1-2]	Appliance socket
[1-3]	SysDoc
[1-4]	Handle
[1-7]	Hose holder
[1-8]	T-Loc lock for Systainers
[1-9]	Dirt trap
[1-10]	Locking clip
[1-11]	On/off switch
[1-12] + [1-13]	Brake
[1-14]	Exhaust opening
[1-15]	Filter drawer
[1-16]	Dedusting
[1-17]	MAN button
[1-18]	Suction power adjustment
[1-19]	Connection display
[1-20]	Connection button

The specified figures appear at the beginning of the operating manual.

## 4 Technical data

mobile dust extractor		
Power consumption		350 - 1200 W
Max. electrical outlet module connected load	EU, KR, CN	2200 W
	CH, DK	1150 W
	GB 230 V/110 V	1610 W/ 770 W
Max. suction capacity (air), extractor/turbine		130 m <sup>3</sup> /h / 222 m <sup>3</sup> /h
Max. vacuum, turbine		24,000 Pa
Filter surface area		3508 cm <sup>2</sup>
Suction hose		D 27/32 mm x 3.5 m-AS
Mains power cable length		7.5 m
Sound pressure level as per EN 60335-2-69/uncertainty K3		70 dB(A)
Hand-arm vibration value as per EN 60335-2-69/uncertainty K		< 2.5 m/s <sup>2</sup> / 1.5 m/s <sup>2</sup>
Type of protection		IP X4
Frequency		2402–2480 Mhz

mobile dust extractor		
Equivalent Isotropically Radiated Power (EIRP)	< 10 dBm	
Container capacity	CTL MINI I	10 l
	CTL MIDI I	15 l
Dimensions L x W x H	CTL MINI I	470 x 320 x 455 mm
	CTL MIDI I	470 x 320 x 495 mm
Weight	CTL MINI I	11.0 kg
	CTL MIDI I	11.3 kg

## 5 Intended use

Mobile dust extractor suitable for

- extracting dust up to 1 mg/m<sup>3</sup> according to dust class L,
- extracting water,
- for increased loads during commercial use, according to IEC/EN 60335-2-69.



The user is liable for improper or non-intended use.

## 6 Commissioning



### WARNING

#### Unauthorised voltage or frequency!

#### Risk of accidents

- ▶ Observe the specifications on the machine's name plate.
- ▶ Observe country-specific regulations.

### 6.1 Initial commissioning

- ▶ Insert the filter/disposal bag [2].
- ▶ Fit the cord holder [3].
- ▶ Connect the suction hose [3].

### 6.2 Connecting the mobile dust extractor



### WARNING

#### Risk of injury from uncontrolled tool start-up

- ▶ Before switching on ensure that the connected tool is switched off.



### WARNING

#### Risk of injury from electric current

- ▶ Insert the mains plug into an earthed socket.
- ▶ Do not reach into the electrical outlet module on the mobile dust extractor.

- ⓘ While the mobile dust extractor is connected to the mains socket, an electric current is running through electrical outlet module on the mobile dust extractor at all times.

#### Connecting the mobile dust extractor to a mains socket

The mobile dust extractor is switched off.

- ▶ Connect the power cable to a mains socket. The electrical outlet module [1-2] is live.

#### Switching the mobile dust extractor to standby mode

- ▶ Press the on/off switch [1-11]. The electrical outlet module [1-2] is live.

- ⓘ The green LED [1-18] indicates standby mode.

#### Starting the mobile dust extractor automatically

The mobile dust extractor is in standby mode.

- ▶ To start the mobile dust extractor automatically: Switch on the connected tool.

#### Starting the mobile dust extractor manually

The mobile dust extractor is in standby mode.

- ▶ Press the MAN button [1-17].



Pull the mains plug from the socket when you are not using the mobile dust extractor and before performing any cleaning and maintenance work.

### 6.3 Connecting a power tool



### WARNING

#### Risk of injury

- ▶ Observe the maximum electrical outlet module connected load (see chapter "Technical data").
- ▶ Switch off the power tool.

### Connecting a mains-powered power tool to the mobile dust extractor

- ▶ Connect the power tool to the electric outlet module [1-2].

*The power tool is connected to the mobile dust extractor via the power cable.*

### Connecting a battery-powered power tool to the mobile dust extractor (MINI I / MIDI I)

- ▶ In standby mode, press the connection button [1-20].

The connection display [1-19] flashes slowly. For a period of 60 seconds, the mobile dust extractor is ready for connection.

- ▶ Turn on the battery-powered power tool. The mobile dust extractor starts up and the battery-powered power tool is connected until the mobile dust extractor is manually switched off or the mains plug is disconnected. The battery-powered tool must then be connected again.

Connecting a new battery-powered power tool overwrites the previous connection.

## 6.4 Connecting a mobile device (MINI I / MIDI I)

A mobile device (e.g. smartphone) can be connected to the mobile dust extractor via **Bluetooth®** (e.g. for a software update with the Festool app).

- ▶ Hold down the connection button [1-20] on the mobile dust extractor for three seconds in standby mode.

The connection display [1-19] flashes rapidly.

For a period of 60 seconds, the mobile dust extractor is ready for connection.

- ▶ Follow the instructions provided in the Festool app.

## 6.5 Remote control (MINI I / MIDI I)

### Connecting the remote control and mobile dust extractor

To be able to connect a remote control to a mobile dust extractor, the remote control must be reset (see "Resetting the remote control").

Remote controls that have not been connected previously can be connected directly.

- ⓘ A connection that has been created between remote controls and the mobile dust extractor will persist even after the mobile dust extractor has been manually switched off or the mains plug has been disconnected.

- ⓘ The mobile dust extractor can be connected to as many as five remote controls at the same time. The mobile dust extractor can only be connected to one cordless power tool at a time.

- ▶ Hold down the connection button [1-20] on the mobile dust extractor for three seconds in standby mode.

The connection display [1-19] flashes rapidly.

For a period of 60 seconds, the mobile dust extractor is ready for connection.

- ▶ Press the MAN button on the remote control. The remote control is permanently stored in the mobile dust extractor.

### Switching on/off

Once the remote control is connected to the mobile dust extractor, the mobile dust extractor can be switched on and off with the remote control.

- ▶ Press the MAN button on the remote control to switch the device on and off.

### Resetting the remote control

Resetting deletes the connection between a remote control and the mobile dust extractor.

- ▶ Hold down the connection button and the MAN button for 10 seconds. The LED indicator lights up purple, if the reset has taken place.

## 6.6 Delete all saved devices. (MINI I / MIDI I)

- ▶ Press and hold the connection button [1-20] for at least three seconds.

The connection display [1-19] flashes rapidly.

- ▶ Press and hold both the plus and minus button [1-18] for at least three seconds.

The mobile dust extractor confirms the command by rapidly flashing three times.

## 7 Settings

### 7.1 Adjusting the suction power

- ▶ Press the plus or minus button [1-18] while extracting.

### 7.2 Connecting sleeve

The bypass function of the connecting sleeve prevents strong suction from sanding machines and floor nozzles on smooth surfaces.

**Open**

- ▶ Turn the adjusting ring to the "OPEN" position.

**Close**

- ▶ Turn the adjusting ring to the "CLOSE" position.

**7.3 Temperature cut-out**

A temperature cut-out switches the mobile dust extractor off when it reaches a critical temperature to prevent overheating. The bottom LED **[1-18]** indicates a fault.

LED lights up red    Excessive temperature

- ▶ Switch off the mobile dust extractor, let it cool down.
- ▶ Switch on the mobile dust extractor again after approx. five minutes.

**7.4 Locking the brake [1A]**

- ▶ Raise the front of the mobile dust extractor slightly.
- ▶ Push down the brake **[1-13]** until it engages into position.
- ▶ Actuate the button **[1-12]** to release it.

**7.5 SysDoc****WARNING****Risk of injury**

- ▶ Do not stand on the storage area of the mobile dust extractor.

**CAUTION****Risk of injury**

- ▶ Ensure that the T-Loc or the four SysDoc locks are closed during transport.

A Systainer can be fastened to the storage area **[1-7]** with the T-Loc lock **[1-8]**. Systainers without T-Loc can be secured with the four SysDoc locks **[1-3]**.

**8 Working****8.1 Extracting dry materials****CAUTION****Hazardous dust****Damage to the respiratory passage**

- ▶ Always use a filter bag!
- ▶ Check that the main filter is undamaged before extracting.



When extracting dust that exceeds the limit value, only extract from one dust source (power or compressed-air tool).

**Observe** the following when extracting dust generated by operating power tools: Ensure there is adequate ventilation! Observe regional regulations!

**Limit values:** Exhaust air max. 50% of the fresh air volume

**Equation:** Room volume  $V_R$  x air renewal rate  $L_W$

**8.2 Extracting wet materials/liquids**

Remove the filter bag!

Use a special wet filter.

The dust extraction stops automatically when the maximum fill level is reached.

The bottom LED **[1-18]** lights up red.

- ▶ Switch off the mobile dust extractor **[1-11]**.
- ▶ Open the locking clips **[1-10]** and remove the top section of the machine.
- ▶ Empty the dirt trap **[1-9]**.

After wet extraction, allow the main filter to dry!

Dry the mobile dust extractor before extracting dry dust.

**CAUTION****Hazardous dust****Damage to the respiratory passage**

- ▶ After extracting wet materials, remove the wet filter and replace it with the main filter for dry materials.

**CAUTION****Escaping foam and liquids**

- ▶ Switch off and empty the machine immediately.

**8.3 Exhaust-air outlet****CAUTION****Hazardous dust****Damage to the respiratory passage**

- ▶ Do not blow off any dust!

The exhaust-air outlet offers the option of diverting the exhaust air outside a building using the suction hose.

- ▶ Open the grille in front of the exhaust opening **[1-14]**.
- ▶ Insert the suction hose in the exhaust opening **[1-14]**.

## 8.4 Cleaning the filter and filter bag manually

- ▶ In standby mode, press the MAN button [1-17].
- ▶ Set the suction power to the maximum setting [1-18].
- ▶ Cover the suction hose with your hand while at the same time briefly pressing down the cleaning lever [1-16] three times.

## 8.5 Changing the filter bag with minimal dust

- ▶ Open the locking clips and remove the top section of the machine [2].
- ▶ Pull the tab on the filter bag until the filter bag opening is fully closed.

The filter bag is now securely closed and can be removed.

- ▶ Fit the top section of the machine and close the locking clips.

## 8.6 Changing the filter element[5]

- ▶ Pull out the used filter drawer [1-15].
- ▶ Dispose of the used filter drawer in accordance with statutory regulations.
- ▶ Insert the new filter drawer [1-15].

**i** Order numbers for accessories, filters and consumables in the Festool catalogue or online at "www.festool.com".

### NOTICE

#### Damage to the motor

- ▶ Never extract material without a main filter or with a damaged main filter, as this can damage the motor.

## 8.7 After finishing work

- ▶ Switch off the mobile dust extractor and pull out the mains plug.
- ▶ Wind up the mains power cable.
- ▶ Empty the dirt trap.
- ▶ Place the suction hose [4-1] in the sealable hose holder [1-7]. Place the mains power cable [4-2] in the sealable hose holder [1-7] or wind it up on the cord holder. To do so, lay the power cable through the recess [4-3].
- ▶ Vacuum and wipe the inside and outside of the mobile dust extractor to clean it.
- ▶ Place the mobile dust extractor in a dry room inaccessible to unauthorised users.

**i** The lid of the hose holder also serves as a storage area for tools.

## 9 Service and maintenance



### WARNING

#### Risk of injury, electric shock

- ▶ Always pull the mains plug from the socket before performing any servicing and maintenance work.
- ▶ All maintenance and repair work which requires the motor housing to be opened should always be carried out by an authorised service workshop.



**Customer service and repairs** must only be carried out by the manufacturer or service workshops: Find the nearest address at: [www.festool.com/service](http://www.festool.com/service)



Always use original Festool spare parts. Order no. at: [www.festool.com/service](http://www.festool.com/service)

- ▶ Regularly clean the fill level sensors [4-4] and empty the dirt trap .

#### Observe the following information:

- Dust-related inspection (e.g. for filter damage, tightness of the machine and function of the control devices) by the manufacturer or an instructed person at least once a year.
- Dispose of components that cannot be cleaned. Use impermeable bags to do so. Observe the applicable disposal provisions!

## 10 Environment



#### Do not dispose of the device in the household waste!

Recycle devices, accessories and packaging. Observe applicable national regulations.

In accordance with the European Directive on waste electrical and electronic equipment and implementation in national law, used power tools must be collected separately and handed in for environmentally friendly recycling.

Information about collection points for correct disposal is available at [www.festool.co.uk/recycling](http://www.festool.co.uk/recycling) .

Information on REACH: [www.festool.co.uk/reach](http://www.festool.co.uk/reach)

## 11 General information

### Imported into the UK by

Festool UK Ltd  
1 Anglo Saxon Way  
Bury St Edmunds  
IP30 9XH  
Great Britain

#### 11.1 Bluetooth®

---

The Bluetooth® word mark and the logos are registered trademarks of Bluetooth SIG, Inc.; they are used by TTS Tooltechnic Systems AG & Co. KG, and therefore by Festool, under licence.

#### 11.2 Information on data privacy

---

The power tool contains a chip which automatically stores machine and operating data. The data saved cannot be traced back directly to an individual.

The data can be read in a contactless manner using special devices and shall only be used by Festool for fault diagnosis, repair and warranty processing and for quality improvement or enhancement of the power tool. The data shall not be used in any other way without the express consent of the customer.