

# MANN®

# HOLZ

# MASCHINEN

**CZ NÁVOD NA OBSLUHU**

**PÁSOVÁ PILA**

**EN USER MANUAL**

**WOOD BANDSAW**



## **HBS245HQ**

## **PÁSOVÁ PILA / WOOD BANDSAW**

HOLZMANN-MASCHINEN GmbH  
Marktplatz 4 | 4170 Haslach | AUSTRIA  
Gewerbepark 8 | 4707 Schlüsslberg | AUSTRIA  
Tel: +43 - 7289 / 71562-0 | Fax: +43 - 7289 / 71562-4  
Tel: +43 - 7248 / 61116-0 | Fax: +43 - 7248 / 61116-6  
info@holzmann-maschinen.at , www.holzmann-maschinen.at

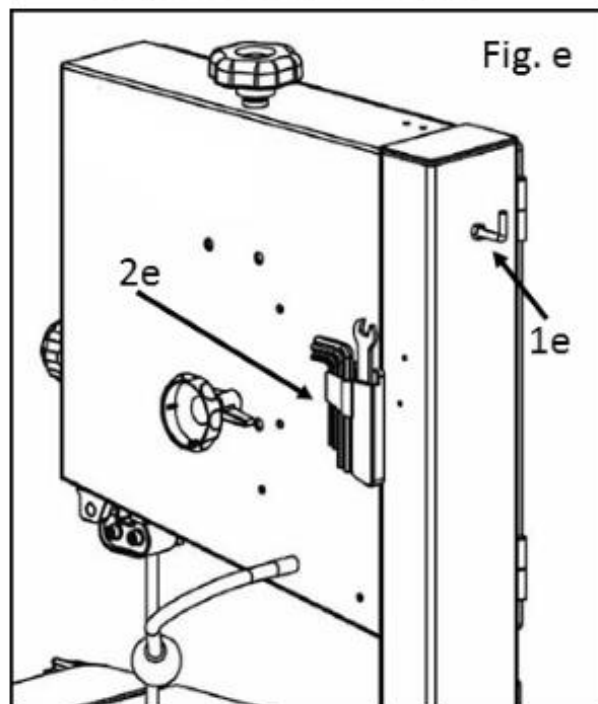
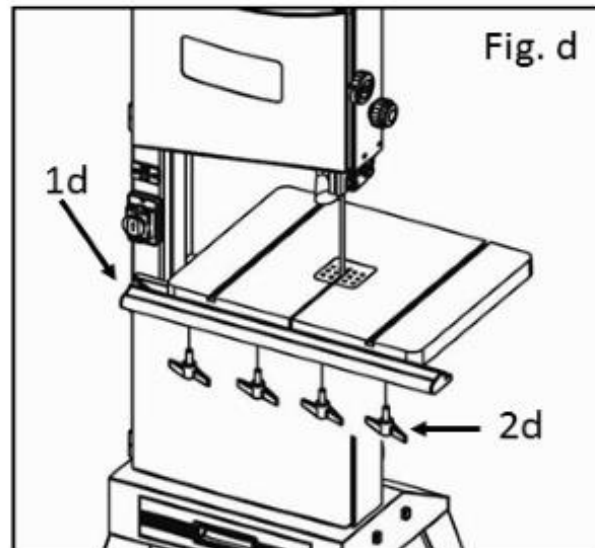
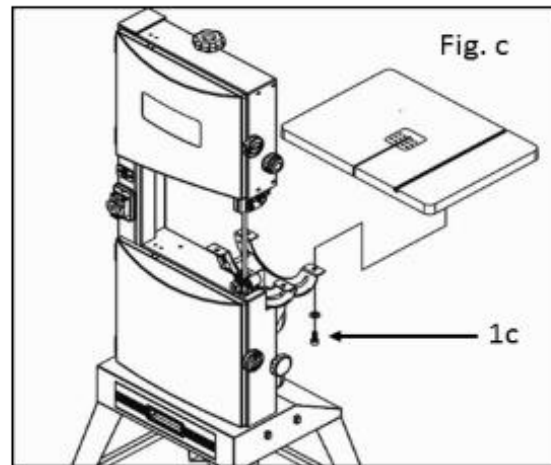
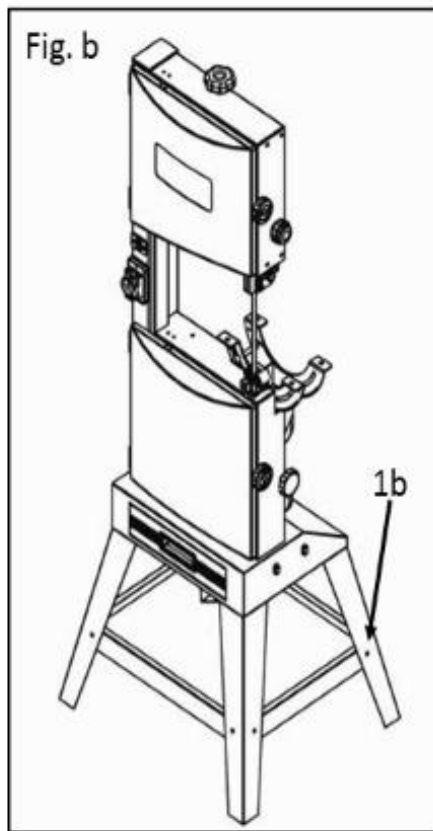
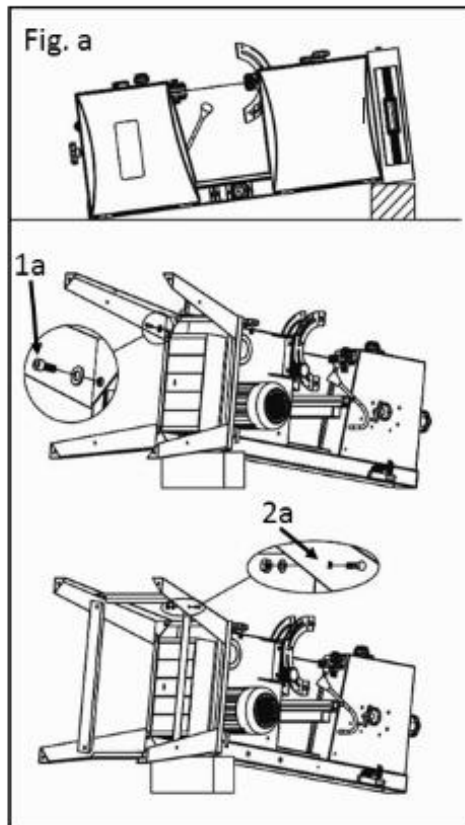


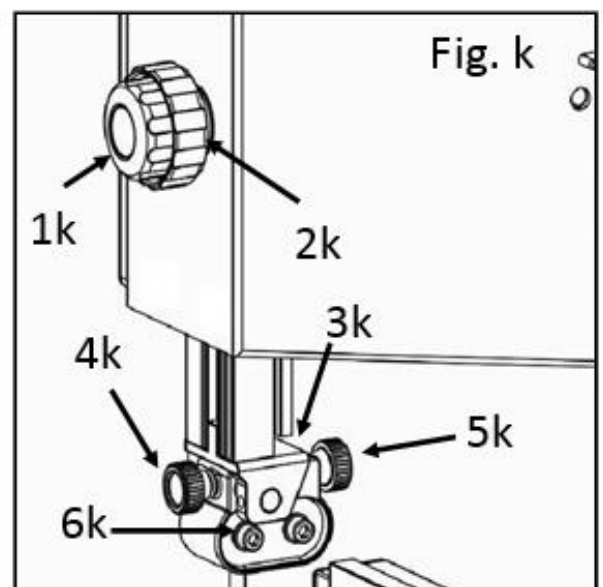
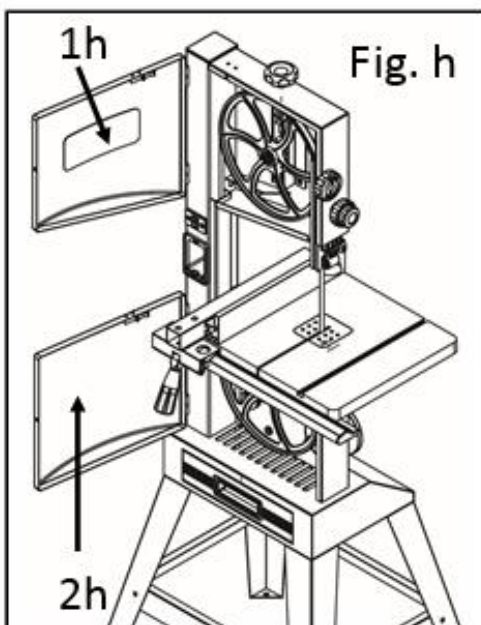
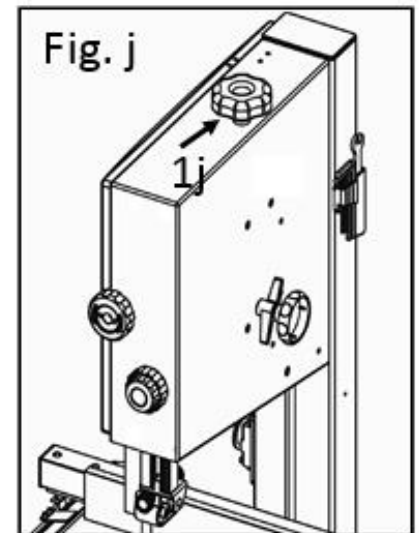
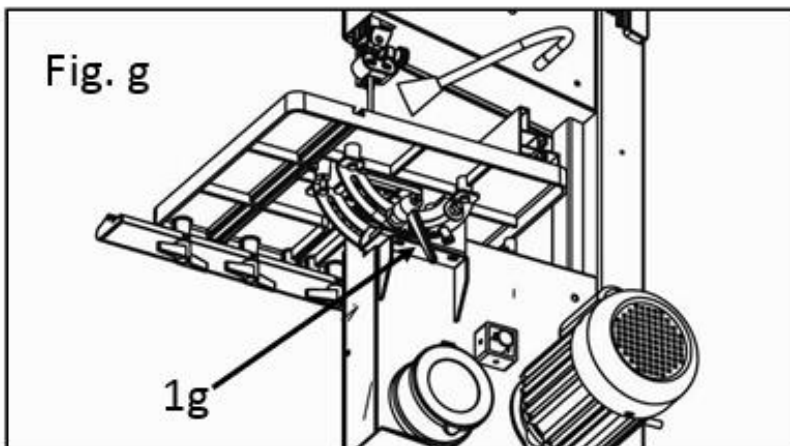
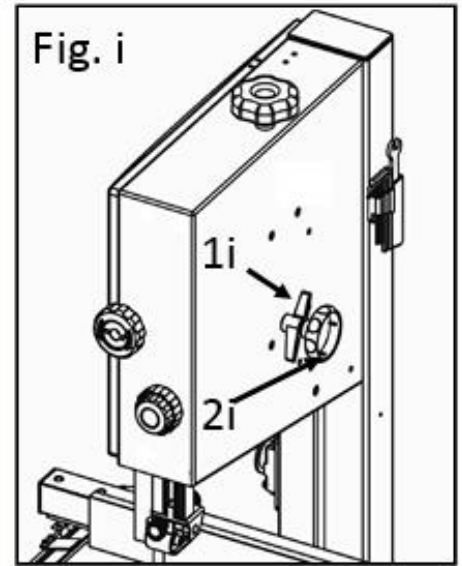
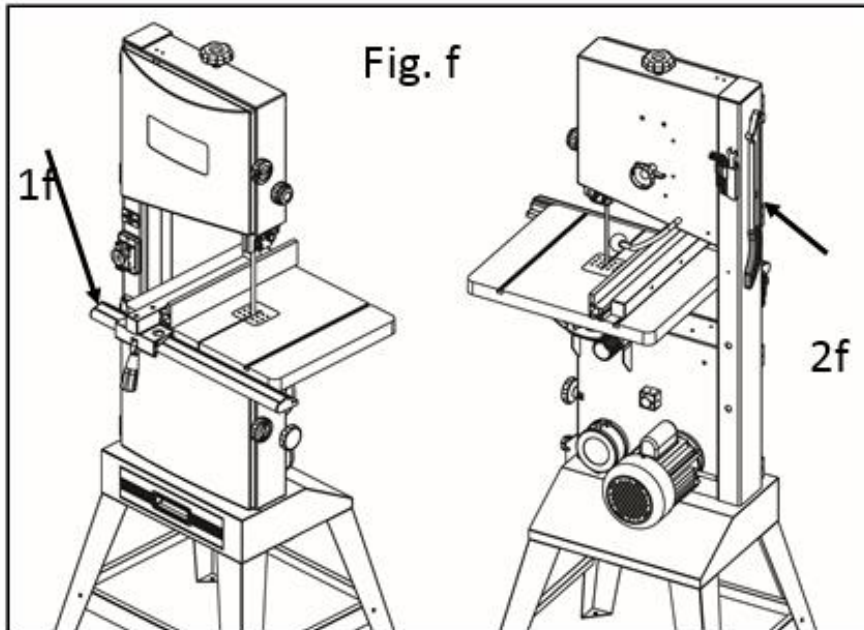
*Před uvedením do provozu  
si přečtěte tento návod na  
obsahu a bezpečnostní  
pokyny!*

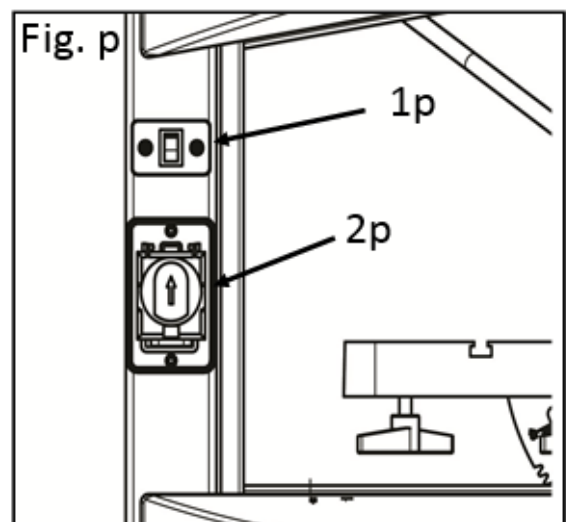
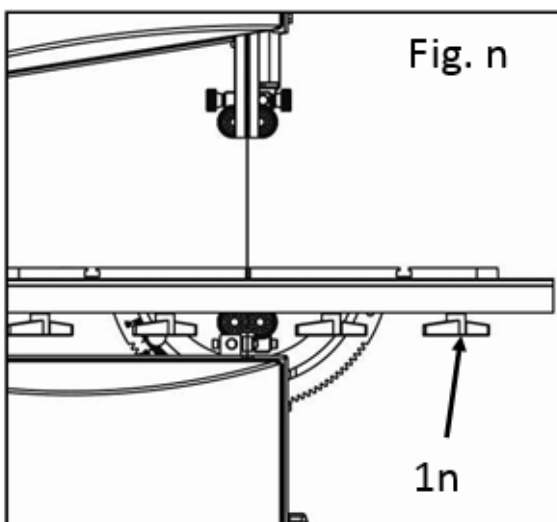
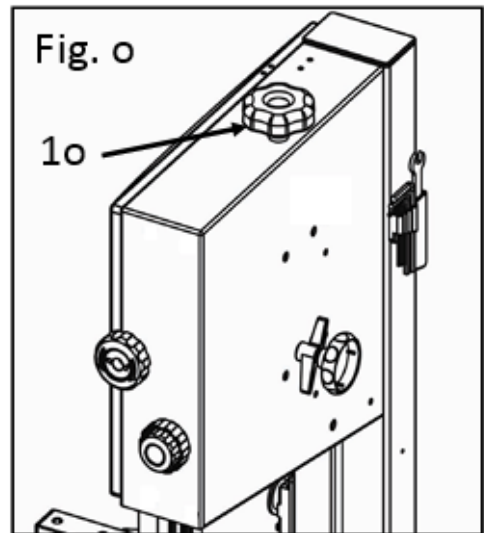
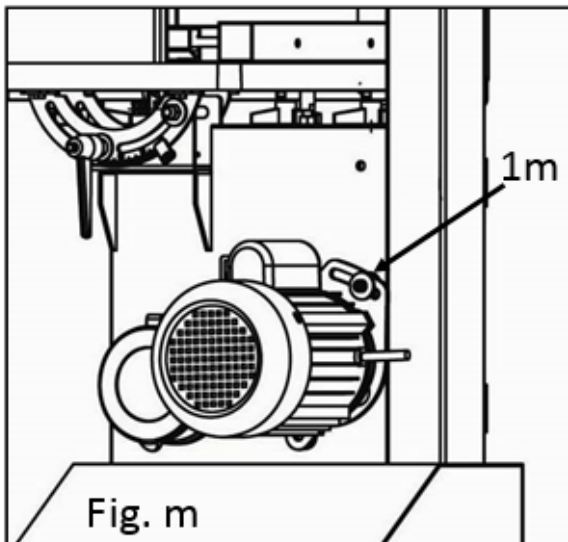
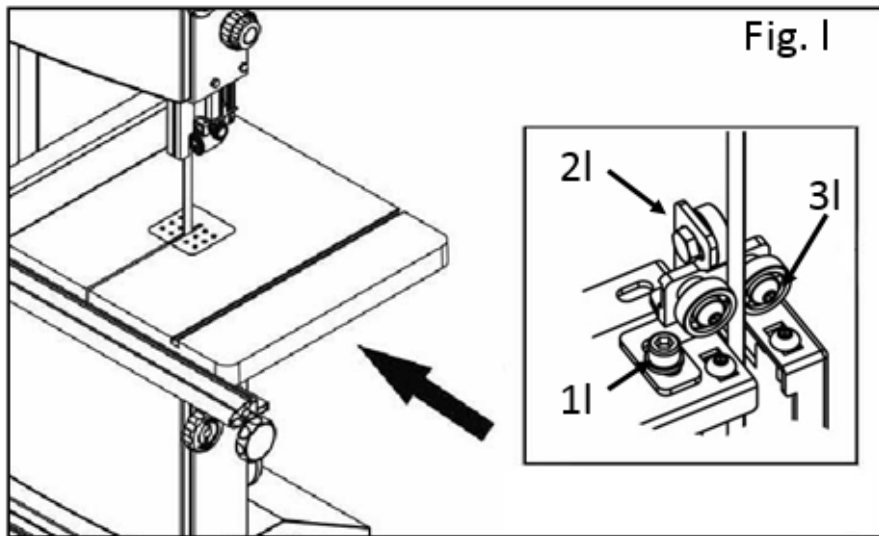


*Read the operation manual  
carefully before first use.*

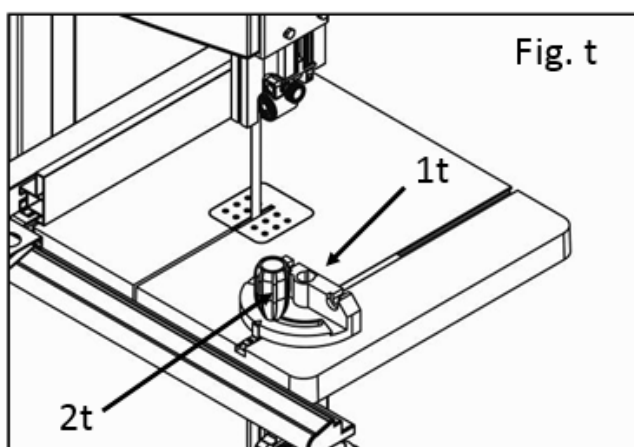
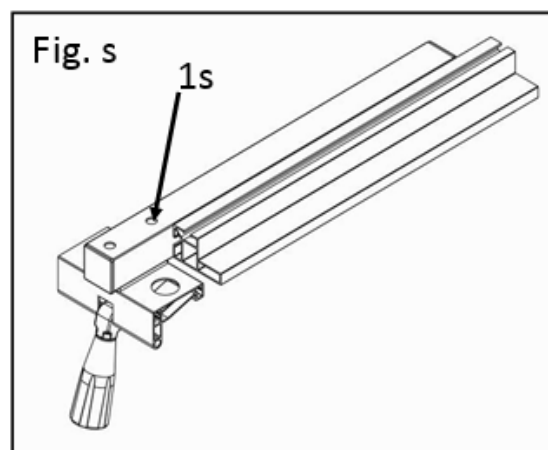
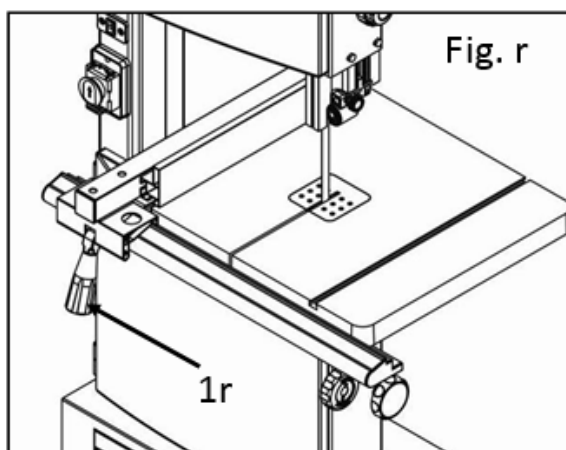
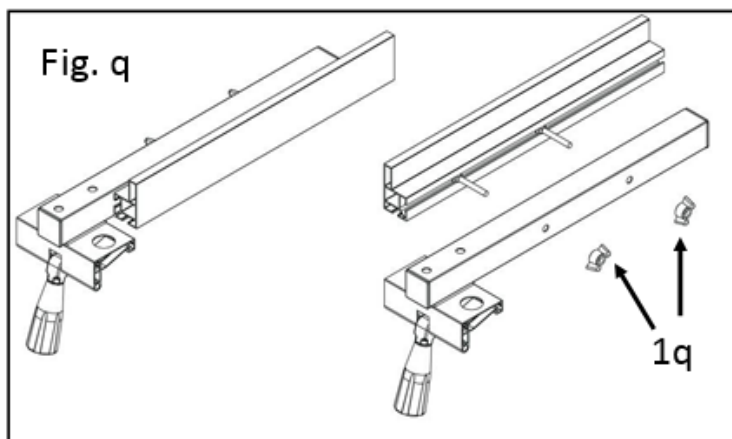
Vydání/Edition: 10.09.2013 – Revize 00 –CEC- CZ/EN

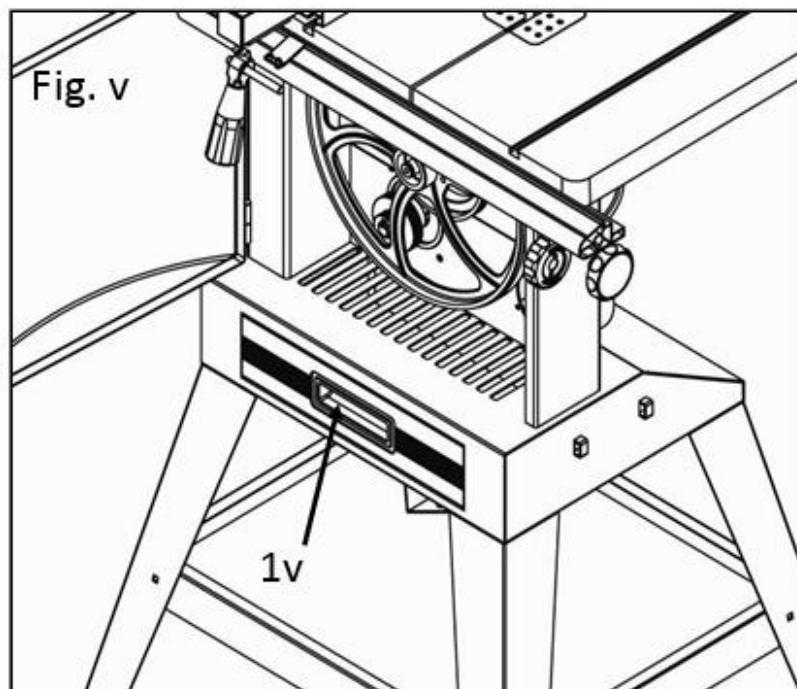
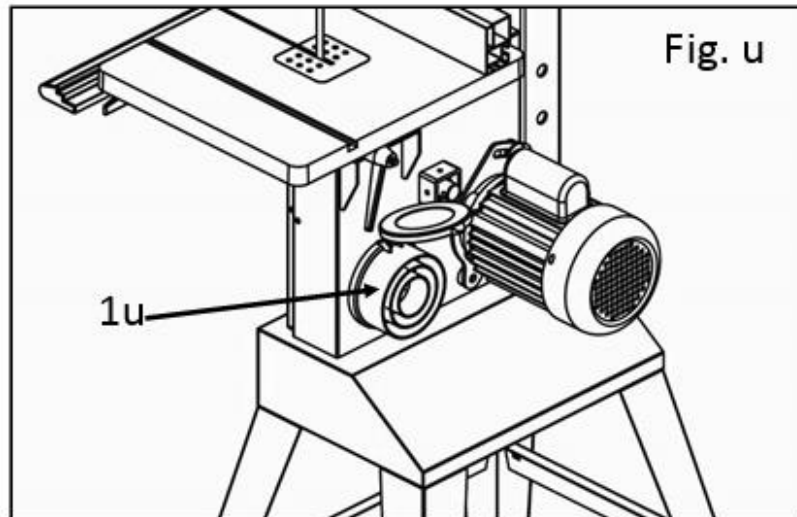












### 3 BEZPEČNOSTNÍ SYMBOLY / SAFETY SIGNS

CZ	BEZPEČNOSTNÍ SYMBOLY VÝZNAM	EN	SAFETY SIGNS DEFINITION OF SYMBOLS
		<b>CZ</b>	<b>VÝSTRAHA!</b> Dbejte bezpečnostních symbolů! Nedodržování předpisů a pokynů může vést k těžkým poraněním osob nebo dokonce smrtelným úrazům.
		<b>EN</b>	<b>ATTENTION!</b> Ignoring the safety signs and warnings applied on the machine as well as ignoring the security and operating instructions can cause serious injuries and even lead to death.
		<b>CZ</b>	<b>PŘEČTĚTE SI TENTO NÁVOD!</b> Přečtěte si řádně návod na obsluhu a údržbu Vašeho stroje a dobře se seznamte s ovládacími prvky stroje, aby byl tento řádně obsluhován a předešlo se ke škodám na stroji a zraněním osob.
		<b>EN</b>	<b>READ THE MANUAL!</b> Read the user and maintenance manual carefully and get familiar with the controls in order to use the machine correctly and to avoid injuries and machine defects.
	 	<b>CZ</b>	<b>OCHRANNÉ PROSTŘEDKY!</b> Používání ochrany sluchu, pracovních brýlí a rukavic je povinné.
		<b>EN</b>	<b>PROTECTIVE CLOTHING!</b> The operator is obligated to wear proper ear protection, safety goggles and gloves.
	 	<b>CZ</b>	<b>NEBEZPEČÍ!</b> Snadno vznětlivé
		<b>EN</b>	<b>DANGER!</b> Highly flammable
		<b>CZ</b>	<b>CE-SHODA:</b> Tento výrobek je v souladu se směrnicemi ES
		<b>EN</b>	<b>EC-CONFORM:</b> This product complies with EC-directives
		<b>CZ</b>	<b>Pouze vyškolená obsluha!</b>
		<b>EN</b>	<b>Only trained staff!</b>
		<b>CZ</b>	<b>Vysoké napětí!</b>
		<b>EN</b>	<b>High voltage!</b>

## 10 PREFACE

### Dear Customer!

This manual contains information and important instructions for the installation and correct use of the wood bandsaw HBS245HQ.

Following the usual commercial name of the device (see cover) is substituted in this manual with the name "machine".

This manual is part of the product and shall not be stored separately from the product. Save it for later reference and if you let other people use the product, add this instruction manual to the product.

### **Please read and obey the security instructions!**



Before first use read this manual carefully. It eases the correct use of the product and prevents misunderstanding and damages of product and the user's health.

Due to constant advancements in product design construction pictures and content may diverse slightly. However, if you discover any errors, inform us please.

Technical specifications are subject to changes!

**Please check the product contents immediately after receipt for any eventual transport damage or missing parts.**

**Claims from transport damage or missing parts must be placed immediately after initial product receipt and unpacking before putting the product into operation.**

**Please understand that later claims cannot be accepted anymore.**

## Copyright

© 2013

This document is protected by international copyright law. Any unauthorized duplication, translation or use of pictures, illustrations or text of this manual will be pursued by law.

Court of jurisdiction is the Landesgericht Linz or the competent court for 4170 Haslach, Austria!

## CUSTOMER SERVICE CONTACT

### **HOLZMANN MASCHINEN GmbH**

A-4170 Haslach, Marktplatz 4

Tel 0043 7289 71562 - 0

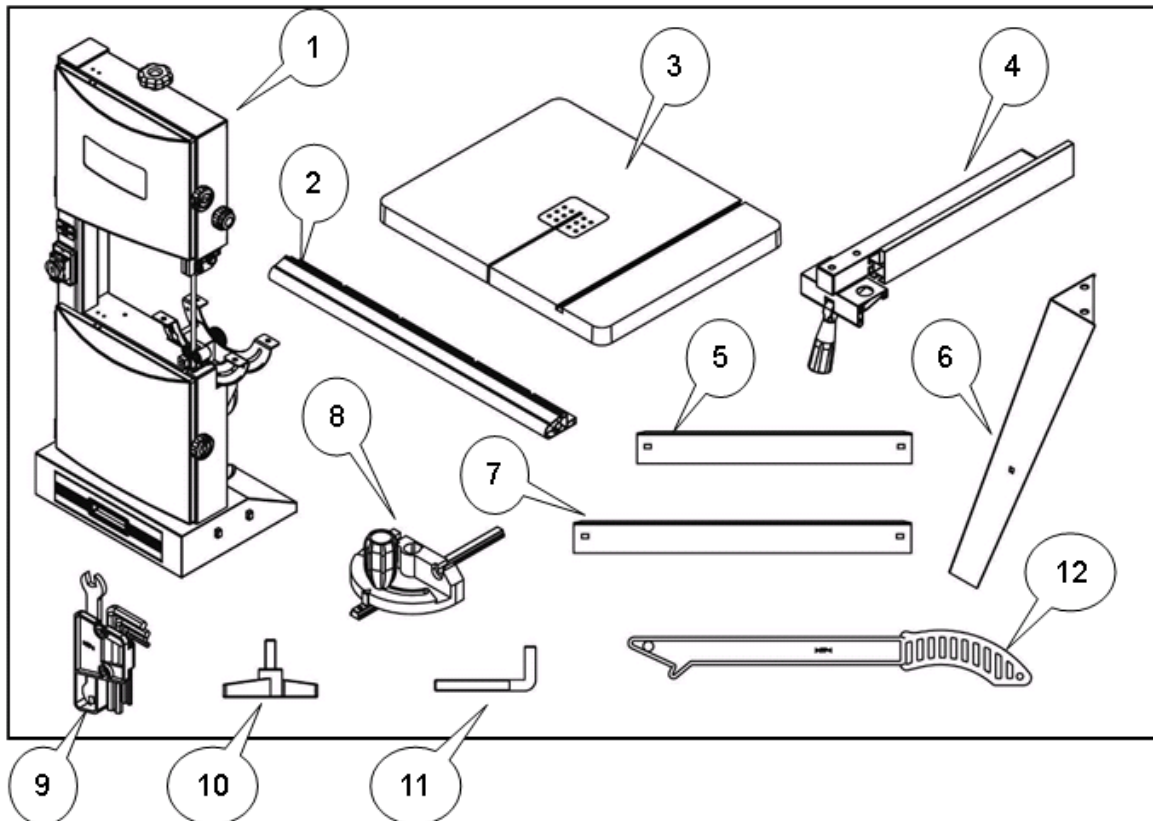
Fax 0043 7289 71562 - 4

[info@holzmann-maschinen.at](mailto:info@holzmann-maschinen.at)



# 11 TECHNIC

## 11.1 Components



No.	Specification	Qty.	No.	Specification	Qty.
1	Bandsaw	1	7	Long brace	2
2	Guide rail	1	8	Miter gauge	1
3	Table with insert	1	9	Accessory tools assembly	1
4	Rip fence	1	10	Knob	4
5	Short brace	2	11	Hook (for push stick)	1
6	Leg	4	12	Push stick	1
<b>Hardware bag (not shown)</b>					
	Socket head bolts M6x10	8		Carriage bolts M6x12	8
	Hex bolts M6x10	4		Flat washers 6mm	20
	Hex bolts M6	8		Socket head bolts M4x10	

## 11.2 Technical Details

Specification	HBS245HQ
Motor power	375W
Voltage	230V / 50Hz
Cutting-capacity	150mm
Throat Width	245mm
Cutting-speed	minimum 400m/min
	maximum 800m/min
Table size	360 x 320mm
Blade size	1826 x 6-12,5mm
Pivoting range Table	0 – 45°
Weight	37kg

## 12 SAFETY

### 12.1 Intended Use

The machine bevel bandsaw is designed for performing cuts into suitable materials under the premise to use the correct combination of bandsaw speed and feed rate.

The intended use incorporates sufficient knowledge of the operator regarding the work with wood bandsaw and regarding accident prevention rules, sufficient material knowledge as well as sufficient and productive maintenance of the machine.

Any manipulation of the machine or its parts is a misuse, in this case HOLZMANN-Machines and its sales partners cannot be made liable for ANY direct or indirect damage.

It is imperative to obey all safety rules as well as assembly, operation and maintenance instructions to keep alive your guarantee rights.

	WARNING
	<ul style="list-style-type: none"> <li>▪ <b>Use only saw blades allowable for this machine!</b></li> <li>▪ <b>Never use a damaged band saw blade!</b></li> <li>▪ <b>Use the bandsaw never with defective or without mounted guard</b></li> </ul> <p style="text-align: center; font-weight: bold; margin-top: 5px;">HIGHEST RISK OF INJURY!</p>

#### 12.1.1 Ambient conditons

The machine may be operated:

humidity	max. 70%
temperature	+5°C to +40°C (+41°F to +104°F)

The machine shall not be operated outdoors or in wet or damp areas.

The machine shall not be operated in areas exposed to increased fire or explosion hazard.

#### 12.1.2 Prohibited use

- The operation of the machine outside the stated technical limits described in this manual is forbidden.
- Operation of the machine function without emergency stop button or impeller box with open doors is prohibited.
- The use of saw bands not according with the required dimensions is forbidden.
- The use of saw bands not being suitable for the use of the machine and not being certified is forbidden.
- Any manipulation of the machine and parts is forbidden.
- The use of the machine for any purposes other than described in 12.1 is forbidden.
- The unattended operation on the machine during the cutting process is forbidden! It is not allowed to leave the immediate work area during the cut is being performed.

## 12.2 Security instructions

Missing or non-readable security stickers have to be replaced immediately!

To avoid malfunction, machine defects and injuries, read the following security instructions!

The locally applicable laws and regulations may specify the minimum age of the operator and limit the use of this machine!

	<h3 style="text-align: center; background-color: #0070C0; color: white; padding: 5px;">NOTICE</h3>		
	<p>In the following machine this guards are in effect:</p> <ul style="list-style-type: none"> <li>• Emergency button on the control panel</li> <li>• Shutdown when opening the covers</li> </ul>		
	<ul style="list-style-type: none"> <li>• <b>Keep your work area dry and tidy! An untidy work area may cause accidents. Avoid slippery floor.</b></li> <li>• <b>Make sure the work area is lighted sufficiently</b></li> <li>• <b>Do not use the machine outdoors!</b></li> <li>• <b>Avoid abnormal working postures! Make sure you stand squarely and keep balance at all times.</b></li> <li>• <b>Keep away from the running saw band!</b></li> <li>• <b>Always stay focused when working. Reduce distortion sources in your work-ing environment. The operation of the machine when being tired, as well as under the influence of alcohol, drugs or concentration influencing medicaments is forbidden.</b></li> </ul>		
	<ul style="list-style-type: none"> <li>• <b>Do not climb onto the machine!</b></li> </ul>		
	<ul style="list-style-type: none"> <li>• <b>The machine shall be operated by respectively trained persons only.</b></li> <li>• <b>Do not allow other persons, particularly children, to touch the machine or the cable. Keep them away from your work area.</b></li> <li>• <b>Make your workshop childproof.</b></li> </ul>		
			<ul style="list-style-type: none"> <li>• <b>Wear suitable work clothes! Do not wear loose clothing or jewellery as they might get caught in moving parts and cause severe accidents! Wear a hair net if you have long hair.</b></li> </ul>
		<ul style="list-style-type: none"> <li>• <b>Use personal safety equipment: ear protectors, safety goggles, dust mask when working on dusty jobs.</b></li> </ul>	



- **Never leave the machine running unattended! Before leaving the working area switch the machine off and wait until the saw band stops.**
- **Always disconnect the machine prior to any actions performed at the machine.**
- **Avoid unintentional starting**



- **Each time you work with an electrically operated sawing apparatus, caution is advised! There is a risk of electric shock, fire, cutting injury;**
- **Protect the machine from dampness (causing a short circuit)**
- **Use power tools and machines never in the vicinity of flammable liquids and gases (danger of explosion)**
- **Check the cable regularly for damage**
- **Protect the cable from heat, oil and sharp edges**
- **Avoid body contact with earthed**



- **Use appropriate holding device when sawing logs**
- **The upper blade guide to keep as close to the workpiece**
- **Attach the fence to the lower half of the table for inclined table**
- **Workpieces while working safely hold and guide**
- **Remove the sawed-off or jammed workpieces only at standstill of the saw blade**
- **Make sure that no excessive concentration of dust is produced. Use suitable dust extraction equipment!**
- **Remove before editing foreign matter (nails, screws) from the workpiece**
- **For straight cuts against the rip fence push stick should be used**

**The machine does not require extensive maintenance.**

**Repairing shall be performed by trained professionals only.**

**Accessories: Use only accessories recommended by HOLZMANN-Maschinen and its sales partners.**

### 12.3 Remaining risk factors

Even if the machine is used as required it is still impossible to eliminate certain residual risk factors totally. The following hazards may arise in connection with the machine's construction and design:

- **Damage to hearing, when sound levels in workshop add up to a total level being harmful. Wear ear-muffs to eliminate this risk factor.**
- **Respiratory damages due to harmful emissions of wood dust.**
- **Severe cutting injuries at contact with the running band in the uncovered cutting zone.**
- **Injuries (cuts) when changing the band. Wear safety gloves when changing the saw band.**
- **Injury from catapulted workpieces or parts of workpieces.**
- **Injury through breaking saw band**
- **Electrocution through contact with internal leading machine parts**

This risk factors can be minimized through obeying all security and operation instructions, proper machine maintenance, proficient and appropriate operation by persons with technical knowledge and experience.



## 13 ASSEMBLY

### 13.1 Initial activities

#### 13.1.1 Delivery content

Please check the product contents (see capture 11.1) immediately after receipt for any eventual transport damage or missing parts. Claims from transport damage or missing parts must be placed immediately after initial machine receipt and unpacking before putting the machine into operation. Please understand that later claims cannot be accepted anymore.

#### 13.1.1 Workplace requirements

The workplace has to fulfill the requirements stated in capture 12.

The ground has to be even, in level and hard. It must be suitable at least to weight it with double weight per square meter than the machines net weight.

The chosen workplace must have access to a suitable electric supply net that complies with the machines requirements.

The machine must be placed in a way that at least 0.8m room free space around the machine. For longer workpieces sufficient additional place before and behind the machine should be calculated.

#### 13.1.1 Transport

The machine can be transported in package with a forklift.

The machine is very heavy. The machine shall be lifted from crate with a suitable lifting device only that is certified to be able to carry the machines load.



### WARNING

**The transport and the lifting of the machine shall be performed by qualified and respectively trained persons only.**

#### 13.1.1 Preparation of the surfaces

Uncoated metal machine parts have been insulated with a greasy layer to inhibit corrosion.

This layer has to be removed. You can use standard solvents that do not damage the machine surface.



### NOTICE

**Do not use solvents based on nitrite, aggressive solvents like break cleaners or scrubbing agents!**

**These damage the machine surface.**

## 13.2 Assembly

The MACHINE is delivered pre-assembled.

For transport reasons, the saw table can be assembled by the customer.

### 13.2.1 Band saw stand

- Put down the machine on a timber according to the Fig.a.
- Attach legs to band saw by using M6X10 socket head bolts and 6mm flat washers (1a)
- Fix short braces and long braces to legs by using M6X12 carriage bolts (2a), 6mm flat washers and M6 hex nut, do not tighten the nut.
- Stand the band saw on a level ground (Fig.b), tighten all bolts and nuts (1b).

### 13.2.2 Table

- After attaching the stand, assemble the table ( Fig.c) to band saw by using M6X10 hex head bolts and 6mm flat washers (1c).
- Make sure the saw blade is in the center of table insert slot.


### 13.2.3 Guide rail

Secure the guide rail (Fig.d; 1d) with four knobs (2d) to the table.

### 13.2.4 Accessory tools assembly

The push stick (2f, 1e), the tools assembly (2e) and the rip fence can be assembled like shown on the pictures Fig. e and Fig. f.

## 13.3 Electric connection


	<b>ATTENTION</b>
	<p><b>When working with non-grounded machines:</b>  <b>Severe injury or even death may arise though electrocution!</b>          Therefore: The machine must be operated at a grounded power socket!</p>


- The connection of the machine to the electric power supply and the following checks are to be carried out by respectively trained personnel.
- The electronic connection of the machine is designated for operation with a grounded power socket!
- The connector plug may not be manipulated.
- If the connector plug doesn't fit or if it is defect, only qualified electricians might modify or renew it!
- The grounding wire should be held in yellow-green.
- A damaged cable has to be exchanged immediately!
- Check, whether the feeding voltage and the Hz comply to the required values of the machine. A deviation of feeding voltage of  $\pm 5\%$  is allowed.

## 14 OPERATION

### 14.1 Operating notes

	<b>WARNING</b>	
	<p><b>Perform all machine settings with the machine being disconnected from the power supply!</b></p>	

	<b>ATTENTION</b>
	<p><b>TAKE ATTENTION</b> when cutting long workpieces without additional support!  <b>Hazard of machine damage and injuries through upbouncing workpiece.</b>  <b>Therefore:</b> always support long overhanging workpieces additionally</p>

	<b>NOTICE</b>
	<p><b>Let the engine run full speed when you begin to cut a work a workpiece</b></p>

### 14.2 Adjustment

#### 14.2.1 Tilting table

- Loosen the locking handle (Fig.g; 1g)
- Turn the table to adjust it to the desired angle ( up to 45°)
- Use the angle indicator scale to find the desired angle.
- Retighten the locking handle to secure the table

#### 14.2.2 Aligning the saw blade

If the saw blade does not run in the center of the rubber tyre, the tracking needs to be corrected by adjusting the tilt of the upper band saw wheel.

- Open the upper (1h) and lower (2h) cover (Fig.h)
- Loosen the tracking lock knob (Fig.i; 1i), manually rotate the upper wheel, taking care no to touch the blade.
- Turn setting knob (2i) clockwise or anticlockwise until the saw blade tracks centered on the rubber tyre.
- After adjusting, retighten the tracking lock knob and close the cover.



## NOTICE

After setting and before switch on turn the upper wheel roll by hand a few times to see if the band saw runs out of the rollers. If this is the case, the blade must be aligned again.

### 14.2.3 Blade tension



## WARNING

**Check the blade tension before any operation**



## NOTICE

Too much tension: The band saw blade can break  
 Too less tension: The band saw blade can slip and stop

- Raise upper blade guide fully.
- Taking the blade width into consideration, turn the knob to adjust tension (Fig.j; 1j).
- Check tension by pushing with a finger, halfway between table and upper
- Turning the setting knob clockwise increase the blade tension
- Tuning the setting knob counter-clockwise reduce the blade tension

After the end of the work dissipate the band saw blade a little bit.

### 14.2.4 Blade guide

The blade guide is used to adjust the distance from the band saw blade to the guide bearing.



## WARNING

**Do not adjust the sawband guidance when the machine is working!**

**Heavy injuries on hands and arms are possible!**

**Sawband guidance can be adjusted only after the sawband direction and the sawband tension has been proofed.**

Before you adjust the sawband guidance switch off the machine and wait until the sawband is standing completely still.



### Upper blade guide (Fig.k; 3k)

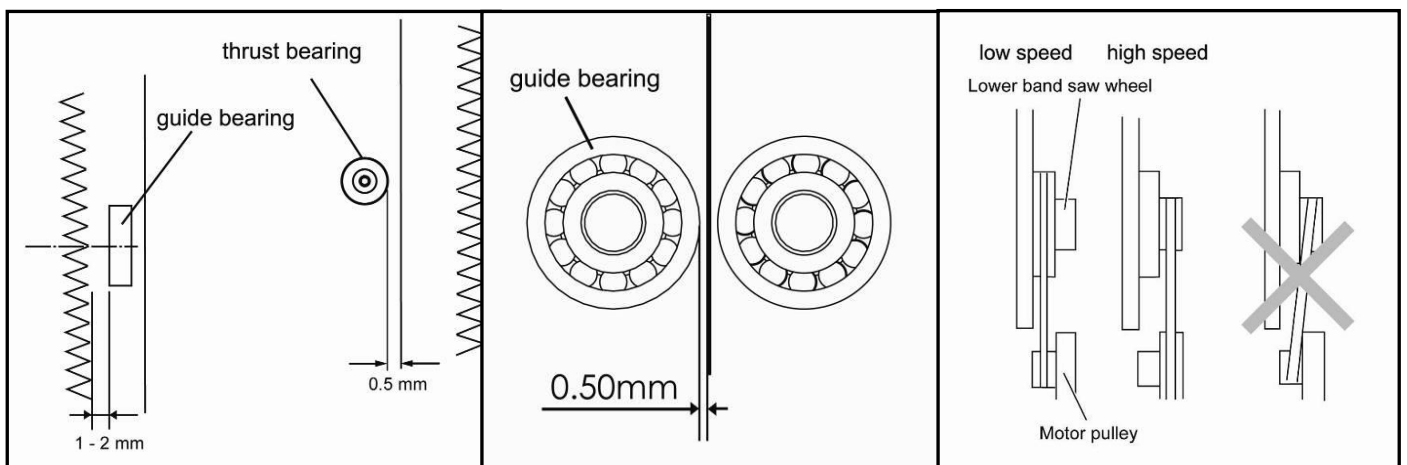
The height of blade guide needs to be adjusted: prior to every cutting/operation, to accommodate the height of work piece (the upper blade guide should be set approx. 3mm above the workpiece).

- Set upper blade guide with the adjusting knob to the desired height by loosening the locking knob (1k). After adjustment (2k), be sure to tighten the lock knob (1k).
- Loosen the knob (4k), and adjust bearing holder, so that guide bearing is positioned 1 or 2mm from bottom of blade. Retighten the knob
- Loosen the knob (5k), and adjust trust bearing to a position of 0.5mm from rear of blade. Retighten the knob (5k).
- Loosen the bolt (6k), and adjust guide bearing to a position 0.5mm away from blade. Retighten the bolt (6k).

### Lower blade guide (Fig.l)

The lower blade guide needs to be readjusted after every band saw blade change or tracking adjustment.

- Loosen the socket bolt (1i), and move the entire lower blade guide, and adjust the guide bearing to a position of 1 or 2 mm from bottom of blade. Retighten the socket bolt (1i).
- Loosen the bolt (2l), and adjust trust bearing to a position of 0.5mm from rear of blade. Retighten the bolt (2l).
- Loosen the bolt (3l), and adjust guide bearing to a position 0.5mm away from blade. Retighten the bolt (3l).



### 14.2.5 Cutting speed



#### NOTICE

The cutting speed should be selected depending on the hardness of the material to be machined.

**hart:** 400m/min

**weich:** 800m/min

- Open the lower cover.
- Slacken driving belt by turning the knob clockwise.
- Put driving belt on required pulley of the driving wheel (lower band saw wheel) and the corresponding motor pulley.



- If necessary, adjusting the motor position to adjust the belt tension.
- Loosen the motor locking bolt (Fig.m; 1m) and turn the motor counter-clockwise to reduce the driving belt tension, turn the motor clockwise to increase the driving belt tension. Retighten the motor locking bolt.
- Half-way between the pulleys the driving belt should flex approx 10mm.
- Close the lower cover.

## 14.3 Operation

### 14.3.1 Switch Action (Fig.p)

- To start/stop the machine push the main switch (2p)
- To turn on/off the LED-work light push switch 1p

### 14.3.2 Rip fence (Fig.q)

- The rip fence can be used on both side of the blade
- When the rip fence is moved from one side of the saw blade to other the fence needs to reverse.
- To reversing the fence loosen and remove the two knobs (1q)
- Take off the fence with bolts from the fence support
- Assemble the fence with bolts to other side of the fence support.
- Replace the two knobs (1q)
- To clamp the rip fence (Fig.r) lock the lever (1r), move the fence to the needed position and retighten the lever
- To adjust the height (Fig.s), loosen the two knobs (1q), rotate the fence 90° and retighten the knobs
- To adjust the paralleling with the side of the bade (Fig.s), loose the two socket bolts (1s), correct the position and retighten the bolts

### 14.3.3 Mitter gauge (Fig.t)

- The miter gauge is inserting into the table slot from the table front edge (1t)
- For miter cuts, the miter gauge can be turned to 60° in both directions
- To set a miter gauge, loosen the lock handle (2t) turn the an gauge to the needed position and retighten the lock handle

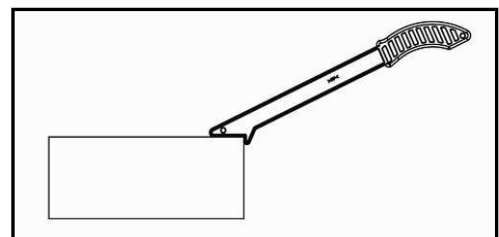
### 14.3.4 Push stick



## WARNUNG

**The push stick protects against contact with the band saw blade**

- The push stick must be used if the distance between band saw blade and a rip fence is less than 150mm
- When the push stick is not used, it can be stored on the hook provided at the band saw frame
- Replace push stick if damaged



### 14.3.5

### **14.3.5 Sawing**


- Set upper blade guide 3mm above the workpiece.
- Place workpiece on the table.
- Plug in.
- Start saw.
- Cut workpiece in a single pass.
- Switch off if no further cutting is to be done immediately afterwards.

### **14.3.6 Dust collector**

The band saw provides a dust port (Fig.u;1u). It should be connected with dust collector when sawing wood.

If you do not have dedicated band saw extraction, there is another chance to get rid of the saw dust. Most of debris except usual dust drifts would fall through a grating into the dust drawer (Fig.v; 1v). It can be easily pulled out and cleaned.

## 15 MAINTENANCE

	<b>ATTENTION</b>
	<p><b>Don't clean or do maintenance on the machine while it is still connected to the power supply:</b></p> <p><b>Damages to machine and injuries might occur due to unintended switching on of the machine!</b></p> <p><b>Therefore: Switch the machine off and disconnect it from the power supply be-fore any maintenance works or cleaning is carried out</b></p>

The machine does not require extensive maintenance. If malfunctions and defects occur, let it be serviced by trained persons only.

Before first operation as well as later on every 100 operation hours you should lubricate all connecting parts (if required, remove beforehand with a brush all swarfs and dust).

Check regularly the condition of the security stickers. Replace them if required.

Check regularly the condition of the saw band and the saw band guide.

The good condition and perfect adjustment of the guiding rollers is essential for a smooth band guidance and a clean cut.

Store the machine in a closed, dry location.

<b>NOTICE</b>
<p>Clean your machine regularly after every usage – it prolongs the machines lifespan and is a pre-requisite for a safe working environment.</p> <p><b>Repair jobs shall be performed by respectively trained professionals only!</b></p>


### 15.1 Maintenance plan

#### 15.1.1 After each workshift:





- Relaxing the saw band.
- Disconnect the machine from the power supply.
- Clean the machine entirely.
- Lubricate the blade guide with light machine oil a bit.

### 15.2 Cleaning

After each workshift the machine has to be cleaned. Remove chips etc. with a suitable tool. Do not remove them by hand (cutting injury!). Remove dust as well.

	<b>NOTICE</b>
	<p><b>The usage of certain solutions containing ingredients damaging metal surfaces as well as the use of scrubbing agents will damage the machine surface!</b></p> <p>Clean the machine surface with a wet cloth soaked in a mild solution</p>

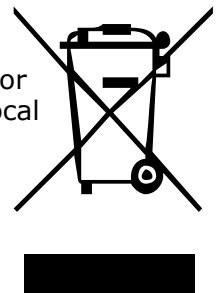
### 15.3 Changing the band saw blade

 	<p><b>WARNING</b></p> <p><b>Wear gloves when handling with saw blades!</b>  <b>HIGHEST RISK OF CUTTING INJURY!</b></p> <p><b>Before changing the blade, check that the machine is switched off and disconnected from the power supply</b></p> <p><b>ATTENTION: Take care to install the saw band correctly!</b>  <b>Check the direction of the teething</b></p>	 
--	---	--

- Loosen four lock knobs for the guide rail, and pull out the guide rail (Fig.n;1n).
- Open the upper cover and lower cover.
- Set the upper blade guide to its lowest position (Fig.o;1o).
- Loosen saw blade tension knob until the band saw blade has slackened.
- Remove the band saw blade from the machine.
- Fit a fresh band saw blade and center band saw blade on the rubber tyres of the band saw wheels.
- Tighten the saw blade tension knob.
- Replaced the guide rail to its original position.
- Close the upper and lower cover.
- Next:
  - Align the saw blade
  - Adjust the blade tension
  - Adjust the upper blade guide and lower blade guide

### 15.4 Disposal

Do not dispose the machine in residual waste. Contact your local authorities for information regarding the available disposal options. When you buy at your local dealer for a replacement unit, the latter is obliged to exchange your old



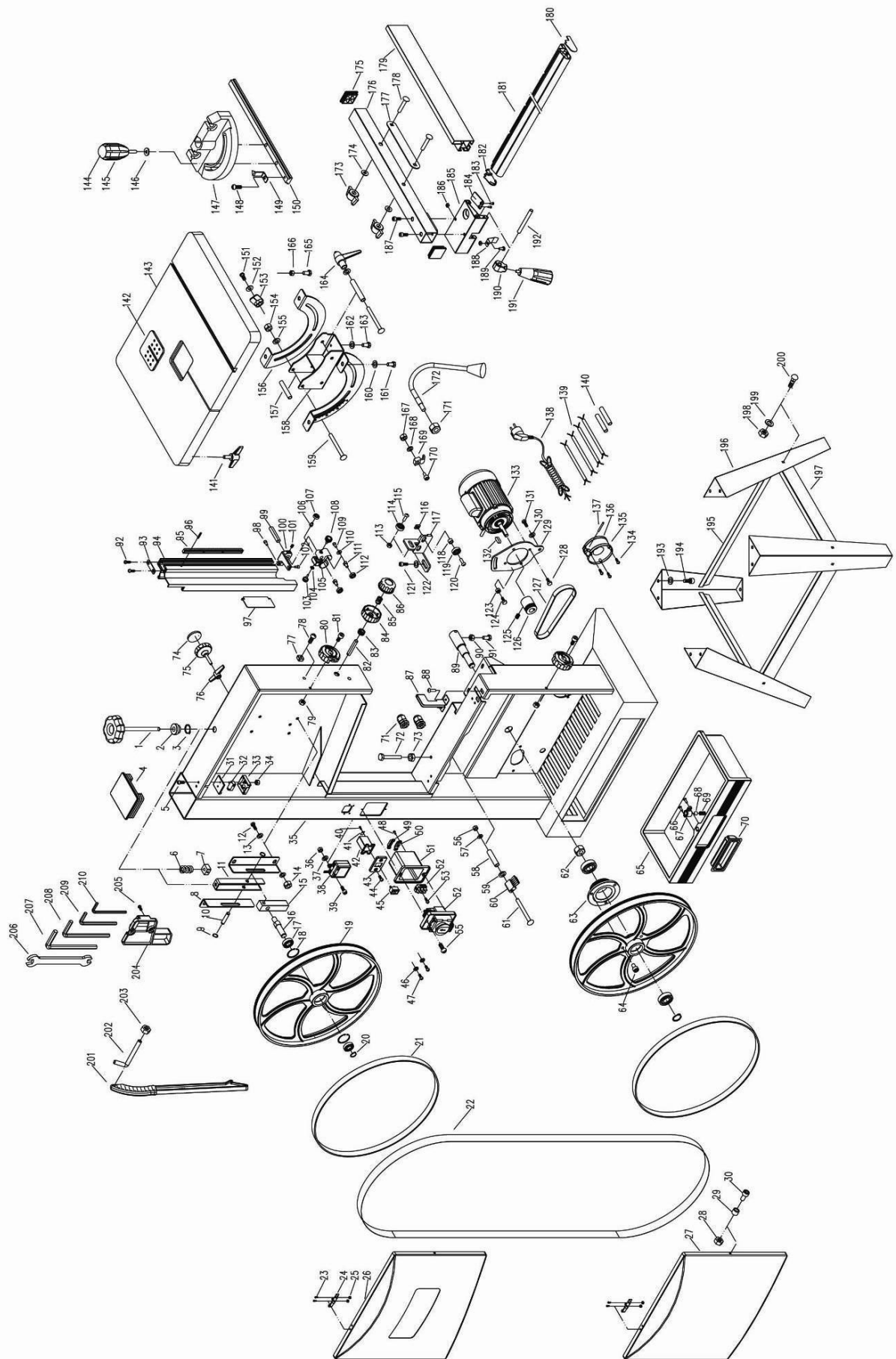
## 16 TROUBLE SHOOTING

**Disconnect the machine from the power supply prior to any checks performed at the machine itself!**

Trouble	Possible cause	Solution
<b>Saw stops or will not start</b>	<ul style="list-style-type: none"> <li>▪ Overload tripped</li> <li>▪ Saw unplugged</li> <li>▪ Fuse blown or circuit breaker tripped</li> <li>▪ Cord damaged</li> </ul>	<ul style="list-style-type: none"> <li>▪ Allow motor to cool and reset by pushing off switch</li> <li>▪ Check all power connections</li> <li>▪ Change fuse or reset circuit breaker</li> <li>▪ Change cable</li> </ul>
<b>Does not make accurate 45° or 90° cuts</b>	<ul style="list-style-type: none"> <li>▪ Stop not adjusted correctly</li> <li>▪ Angle pointer not set accurately</li> <li>▪ Miter gauge out of adjustment</li> </ul>	<ul style="list-style-type: none"> <li>▪ Check band with square and adjust stop</li> <li>▪ Check band with square and adjust pointer</li> <li>▪ Adjust miter gauge</li> </ul>
<b>Band wanders during cut</b>	<ul style="list-style-type: none"> <li>▪ Fence not aligned with band</li> <li>▪ Warped wood</li> <li>▪ Excessive feed rate</li> <li>▪ Incorrect band for cut</li> </ul>	<ul style="list-style-type: none"> <li>▪ Check and adjust fence</li> <li>▪ Select another piece of wood</li> <li>▪ Reduce feed rate</li> <li>▪ Change band to correct type</li> </ul>
<b>Saw makes unsatisfactory cuts</b>	<ul style="list-style-type: none"> <li>▪ Dull band</li> <li>▪ Band mounted wrong</li> <li>▪ Gum or pitch on band</li> <li>▪ Incorrect band for cut</li> <li>▪ Gum or pitch on table</li> </ul>	<ul style="list-style-type: none"> <li>▪ Replace band</li> <li>▪ Teeth should point down</li> <li>▪ Remove band and clean</li> <li>▪ Change band to correct type</li> <li>▪ Clean table</li> </ul>
<b>Band does not come up to speed</b>	<ul style="list-style-type: none"> <li>▪ Extension cord too light or too long</li> <li>▪ Low shop voltage</li> </ul>	<ul style="list-style-type: none"> <li>▪ Replace with adequate size cord</li> <li>▪ Contact your local electric company</li> </ul>
<b>Saw vibrate excessively</b>	<ul style="list-style-type: none"> <li>▪ Base on uneven floor</li> <li>▪ Bad v-belt</li> <li>▪ Bent pulley</li> <li>▪ Improper motor mounting</li> <li>▪ Loose hardware</li> </ul>	<ul style="list-style-type: none"> <li>▪ Reposition on flat level surface</li> <li>▪ Replace v-belt</li> <li>▪ Replace pulley</li> <li>▪ Check and adjust motor</li> <li>▪ Tighten hardware</li> </ul>
<b>Saw band runs in opposite direction</b>	<ul style="list-style-type: none"> <li>▪ 2 of the 3 leading phases are switched whether in Plug or socket</li> </ul>	<ul style="list-style-type: none"> <li>▪ Shut off machine immediately. Let the connection to supply circuit be corrected by an electrician!</li> </ul>

**MANY MALFUNCTIONS AND DEFECTS CAN BE AVOIDED BY LETTING THE MACHINE BE CONNECTED TO YOUR POWER SUPPLY BY A CERTIFIED ELECTRICIAN**





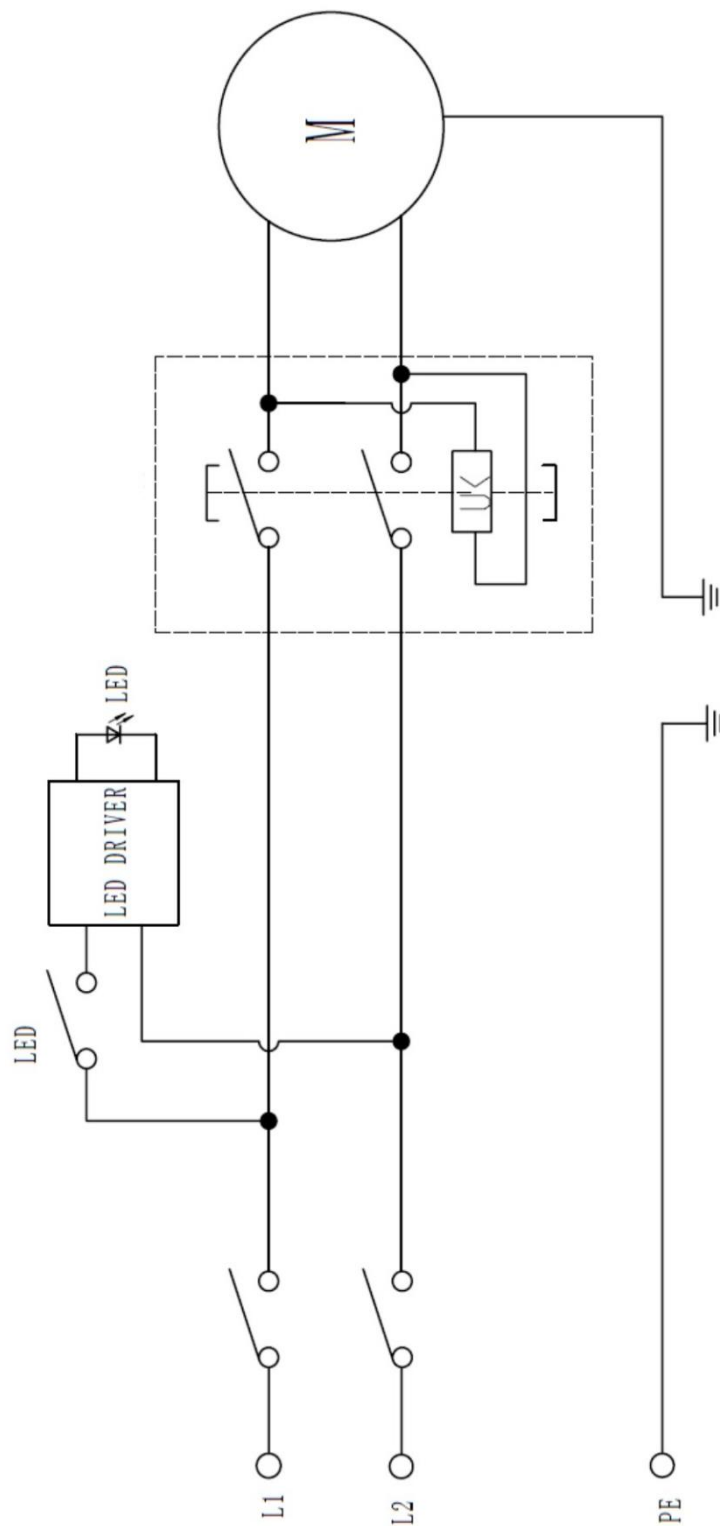
## 17.1 Náhradní díly / spare parts list

Čís.	Popis	Ks	Čís.	Popis	Ks
1	Tension Knob	1	33	Microswitch Box	2
2	Spacer	1	34	4mm Hex Nut	4
3	3AMI-15 Retaining Ring	1	35	Body	1
4	Body Plug	1	36	4mm Cap Nut	1
5	4 x 25mm Cross Head Screw	4	37	4mm Flat Washer	1
6	Tension Spring	1	38	LED Lamp Driver	1
7	Tension Nut	1	39	4 x 12mm Socket Head Screw	1
8	3AMI-8 Retaining Ring	2	40	4.2 x 9.5mm Cross Head Screw	1
9	Adjusting Block Arbor	1	41	Cord Grip	1
10	Guide Rail Plate	2	42	LED Lamp Switch Box	1
11	Pullblock	1	43	LED Lamp Switch Plate	1
12	8 x 16mm Set Screw	4	44	4 x 12mm Cross Head Screw	2
13	8mm Flat Washer	8	45	Switch	1
14	8mm Hex Nut	4	46	4mm Toothed Washer	2
15	Adjusting Block	1	47	4 x 8mm Cross Head Screw	2
16	Upper Wheel Shaft	1	48	2.9 x 9.5mm Cross Head Screw	4
17	Ball Bearing	4	49	Cord Grip	1
18	3BMI-26 Retaining Ring	4	50	Cord Grip	1
19	Wheel	1	51	Switch Box	1
20	3AMI-10 Retaining Ring	2	52	Terminal board(4 teams)	1
21	Tread	2	53	2.9 x 16mm Cross Head Screw	1
22	Blade	1	54	Switch	1
23	4 x 10mm Cross Head Screw	4	55	4 x 12mm Cross Head Screw	2
24	Microswitch Sheeting	2	56	8mm Cap Nut	1
25	4mm Hex Nut	4	57	8mm Flat Washer	1
26	Upper Wheel Cover	1	58	Brush Spacer	1
27	Lower Wheel Cover	1	59	8mm Flat Washer	1
28	6mm Locknut	2	60	Brush	1
29	Gasket	2	61	8 x 70mm Head Square Bolt	1
30	6 x 16mm Socket Head Screw	2	62	14mm Hex Nut	1
31	Microswitch Box Cover	2	63	Spindle Pulley	1
32	Microswitch	2	64	5 x 10mm Socket Head Screw	3
65	Drawer	1	100	Connecting Block	1

66	2.9 X 9.5mm Cross Head Screw	2	101	6 x 8mm Socket Set Screws	1
67	Steel Ball Fixing Sleeve	1	102	4.8 x 13mm Cross Head Screw	1
68	8mm Steel Ball	1	103	Knob II	1
69	Steel Ball Spring	1	104	5mm Flat Washer	1
70	Drawer Handle	1	105	Guide Block	1
71	Strain Relief	2	106	Bearing Pillar II	1
72	Level Locating Rod	1	107	Bearing	1
73	8mm Hex Nut	1	108	Knob I	1
74	Handle Cover	1	109	5 x 16mm Socket Head Screw	2
75	Upper Wheel Adjusting Handle	1	110	5mm Flat Washer	2
76	Upper Wheel Position Fixing Handle	1	111	Bearing Pillar I	2
77	Guide Block	2	112	Bearing	2
78	4 x 8mm Cross Head Screw	2	113	6mm Hex Nut	1
79	6mm Locknut	2	114	Bearing	1
80	Handle	2	115	6 x 16mm Socket Head Screw	1
81	6 x 16mm Socket Head Screw	2	116	Square Nut	2
82	Shaft	1	117	Lower Guide Block	1
83	Gear	1	118	Spacer Bush	2
84	Adjusting Handle	1	119	Bearing	2
85	Spring	1	120	6 x 16mm Socket Head Screw	2
86	Locking Handle	1	121	6 x 10mm Socket Head Screw	2
87	Lower Blade Guard Plate	1	122	6mm Flat Washer	2
88	6 x 10mm Socket Head Screw	2	123	6mm Hex Nut	2
89	Lower Wheel Shaft	1	124	6 x 16mm Socket Head Screw	2
90	6mm Hex Nut	4	125	6 x 8mm Socket Set Screws	1
91	6 x 20mm Set Screw	4	126	Motor Pulley	1
92	4.8 x 13mm Cross Head Screw	2	127	Belt	1
93	Location Limited Plate	1	128	6 x 10mm Set Screw	4
94	Blade Guard Cover	1	129	Motor Connecting Plate	1
95	Rack	1	130	8mm Washer	2
96	Spring Pin	2	131	8 x 12mm Socket Head Screw	2
97	Guard Plate	1	132	5 x 25mm Key	1
98	5 x 8mm Socket Set Screws	1	133	Motor	1
99	Connecting Shaft	1	134	4.2 x 13mm Cross Head Screw	3
135	Dust Export	1	170	5 x 12mm Socket Head Screw	1
136	Dust Export Cover	1	171	10mm Hex Nut	1


137	3 x 22mm Pin	1	172	LED Lamp	1
138	Line Cord	1	173	Turn-knob	2
139	Line	4	174	6mm Flat Washer	2
140	Insulator Sleeve	2	175	Plug	2
141	Tension Knob	4	176	Running Rule Square Pipe	1
142	Insert	1	177	Wafer	1
143	Working Table	1	178	6 x 50 Head Square Bolt	2
144	Knob Cover	1	179	Running Rule	1
145	Knob	1	180	Plug I	1
146	Plastic Washer	1	181	Running Rule Guide Rail	1
147	Miter Gauge	1	182	Plug II	1
148	4 x 8mm Cross Head Screw	1	183	2.9 x 9.5mm Cross Head Screw	2
149	Pointer	1	184	Pointer	1
150	Slide Bar	1	185	Running Rule Seat	1
151	4 x 12mm Cross Head Screw	1	186	5mm Square Nut	3
152	4mm Flat Washer	1	187	5 x 10mm Socket Head Screw	1
153	Pointer	1	188	Spring Leaf	1
154	8mm Locknut	1	189	5 x 8mm Cross Head Screw	1
155	8mm Washer	2	190	Lock Block	1
156	Angle Guide Plate	2	191	Locking Handle	1
157	Spacer Sleeve	2	192	Shaft	1
158	Rotary Seat	1	193	6mm Flat Washer	8
159	Screw	2	194	6 x 12mm Socket Head Screw	8
160	6mm Flat Washer	4	195	Support Plate	2
161	6 x 10mm Set Screw	4	196	Stand	4
162	6mm Flat Washer	4	197	Support Plate	2
163	6 x 10mm Set Screw	4	198	6mm Hex Nut	8
164	8mm Handle	1	199	6mm Flat Washer	8
165	6 x 25mm Set Screw	1	200	6 x 12mm Head Square Bolt	8
166	6mm Hex Nut	1	201	Push Stick	1
167	5mm Cap Nut	1	202	Hook	1
168	5mm Flat Washer	1	203	6mm Hex Nut	1
169	Cord Grip	1	204	Wrench Frame	1
205	4 x 10mm Cross Head Screw	2	208	5mm Wrench	1
206	8-10mm Spanner	1	209	4mm Wrench	1
207	6mm Wrench	1	210	3mm Wrench	1

## 17.2 Plán zapojení / wiring diagram





## 18 PROHLÁŠENÍ O SHODĚ / CERTIFICATE OF CONFORMITY

	<b>Dovozce / Distributor</b>
	HOLZMANN MASCHINEN® GmbH A-4170 Haslach, Marktplatz 4 Tel.: +43/7289/71562-0; Fax.: +43/7289/71562-4 www.holzmann-maschinen.at
<b>Název / name</b>	
<b>Pásová pila na dřevo/ wood bandsaw</b>	
<b>Typ / model</b>	
<b>HBS245HQ</b>	
<b>Směrnice ES / EC-directives</b>	
<ul style="list-style-type: none"> <li>▪ 2006/42/ES</li> </ul>	
<b>Použité normy / applicable Standards</b>	
<ul style="list-style-type: none"> <li>▪ EN 61029-1/A11/2010</li> <li>▪ EN 61029-2-5:2011</li> </ul>	

Tímto prohlašujeme, že výše uvedený typ stroje splňuje bezpečnostní a zdravotní požadavky norem EU. Toto prohlášení ztrácí svou platnost, pokud by došlo ke změnám nebo úpravám stroje, které námi nebyly odsouhlaseny.

Hereby we declare that the above mentioned machines meet the essential safety and health requirements of the above stated EC directives. Any manipulation or change of the machine not being explicitly authorized by us in advance renders this document null and void.



Christian Eckerstorfer  
 Tech. dokumentace / techn. documentation  
 HOLZMANN-MASCHINEN  
 4170 Haslach, Marktplatz 4



**HOLZMANN MASCHINEN GmbH**  
 Marktplatz 4, 4170 Haslach  
 weiterer Standort:  
 Gewerbepark 8, 4707 Schlüsslberg  
 www.holzmann-maschinen.at

Klaus Schörghuber  
 Jednatel / Director

Haslach, 10.09.2013  
 Místo/Datum place/date

## 19 ZÁRUČNÍ PODMÍNKY

(Stav k 10.09.2013)

Záruční požadavky kupujícího vyplývající z kupní smlouvy a uplatněné u prodejce (obchodní zastoupení firmy Holzmann) stejně jako práva vyplývající z legislativy příslušné země zůstávají tímto prohlášením nedotčeny.

**Pro tento stroj platí následující záruční podmínky:**

- A) Záruka zahrnuje bezplatné odstranění veškerých vad stroje, za předpokladu splnění podmínek dle bodů (B-G), které omezují správnou funkci stroje a jsou způsobeny vadou materiálu nebo výrobní vadou.
- B) Záruční doba je 12 měsíců, u komerčního použití 6 měsíců od dodání zboží prvním kupujícímu. K reklamaci předložte originální doklad o dodání zboží a kupní doklad v případě vlastního odběru zboží.
- C) Pro nahlášení reklamace kontaktujte obchodní zastoupení společnosti HOLZMANN, u kterého jste výrobek pořídili a předložte následující doklady:
- Kupní doklad/nebo doklad o dodávce zboží
  - Vyplněný Servisní formulář s hlášením vady
- Při požadavku na dodání náhradního dílu kopii výkresu náhradních dílů s vyznačením potřebného dílu.
- D) Průběh řešení reklamace a místo plnění určuje společnost HOLZMANN GmbH. Snadno odstranitelné vady budou odstraněny obchodním zastoupením, u rozsáhlejších vad si vyhrazujeme právo na odborné posouzení na adrese sídla firmy č. 4707 Haslach, Österreich. Pokud není v servisní smlouvě explicitně uvedeno jinak, platí, že místem pro vyřízení reklamace je sídlo společnosti HOLZMANN-MASCHINEN na adrese 4707 Haslach, Österreich. Tato záruka výrobce nekryje případné náklady na přepravu zboží do sídla firmy.
- E) Výluky ze záruky:
- Na díly, které vykazují známky opotřebení a při vadách stroje, které jsou následkem běžného opotřebení.
  - Při nevhodné nebo nedbalé montáži stroje, chybného uvedení do provozu příp. nevhodného připojení k elektrické síti.
  - Při nedodržení pokynů pro obsluhu stroje, nevhodném použití, nestandardních podmínkách prostředí, nevhodných podmínkách pro provoz, nedostatečné údržbě a péči o stroj atd.
  - Při použití a/nebo zamontování neoriginálních dílů a příslušenství nebo při dodatečných úpravách, které nejsou schváleny společností HOZMANN.
  - U zanedbatelných odchylek výrobku od jeho popisu, přičemž tyto nemají vliv na hodnotu nebo použití stroje pro dané účely.
  - Při překročení zátěže stroje. Zejména při vadách způsobených přetížením stroje z důvodu jeho vytížení pro komerční účely, pro které tento stroj nebyl zkonstruován
- F) V rámci této záruky jsou další nároky kupujícího nad rámec plnění uvedeného v tomto dokumentu vyloučeny.
- G) Tyto záruční podmínky přijímá kupující ze svobodné vůle. Tato záruka vylučuje případné prodloužení záruční doby, a to i na náhradní díly.

## SERVIS

Po uplynutí záruční doby mohou být opravy realizovány i u neautorizovaných servisních firem. K dispozici je Vám samozřejmě i nadále servis společnosti HOLZMANN-Maschinen GmbH.

V takovém případě uplatněte Vaše nezávazné poptávky/reklamace s údaji dle bodu C) na náš zákaznický servis nebo nám pošlete vyplněný přiložený servisní formulář.

Mail: [info@holzmann-maschinen.at](mailto:info@holzmann-maschinen.at)

FAX: +43 7289 71562 0

## 20 GUARANTEE TERMS

**(applicable from 10.09.2013)**

Please consult our troubleshooting section for initial problem solving. Feel free to contact your HOLZMANN reseller or us for Customer Support!

Warranty claims based on your sales contract with your HOLZMANN retailer, including your statutory rights, shall not be affected by this guarantee declaration. HOLZMANN-MASCHINEN grants guarantee according to following conditions:

A) The guarantee covers the correction of deficiencies to the tool/product, at no charge, if it can be verified adequately that the deficiencies were caused by a material or manufacturing fault.

B) The guarantee period lasts 12 months, and is reduced to 6 months for tools in commercial use. The guarantee period begins from the time the new tool is purchased from the first end user. The starting date is the date on the original delivery receipt, or the sales receipt in the case of pickup by the customer.

C) Please lodge your guarantee claims to your HOLZMANN reseller you acquired the claimed tool from with following information:

>> Original Sales receipt and/or delivery receipt

>> Service form (see next page) filed, with a sufficient deficiency report

>> for spare part claims: a copy of the respective exploded drawing with the required spare parts being marked clear and unmistakable.

D) The Guarantee handling procedure and place of fulfillment is determined according to HOLZMANNs sole discretion in accordance with the HOLZMANN retail partner. If there is no additional Service contract made including on-site service, the place of fulfillment is principally the HOLZMANN Service Center in Haslach, Austria.

Transport charges for sending to and from our Service Center are not covered in this guarantee.

E) The Guarantee does not cover:

- Wear and tear parts like belts, provided tools etc., except to initial damage which has to be claimed immediately after receipt and initial check of the product.
- Defects in the tool caused by non-compliance with the operating instructions, improper assembly, insufficient power supply, improper use, abnormal environmental conditions, inappropriate operating conditions, overload or insufficient servicing or maintenance.
- Damages being the causal effect of performed manipulations, changes, additions made to the product.
- Defects caused by using accessories, components or spare parts other than original HOLZMANN spare parts.
- Slight deviations from the specified quality or slight appearance changes that do not affect functionality or value of the tool.
- Defects resulting from a commercial use of tools that - based on their construction and power output - are not designed and built to be used within the frame of industrial/commercial continuous load.

F) Claims other than the right to correction of faults in the tool named in these guarantee conditions are not covered by our guarantee.

G) This guarantee is voluntary. Therefore Services provided under guarantee do not lengthen or renew the guarantee period for the tool or the replaced part.

## SERVICE

After Guarantee and warranty expiration specialist repair shops can perform maintenance and repair jobs. But we are still at your service as well with spare parts and/or product service. Place your spare part / repair service cost inquiry by filing the SERVICE form on the following page and send it:

via Mail to [info@holzmann-maschinen.at](mailto:info@holzmann-maschinen.at)

or via Fax to: +43 7289 71562 4

## 21 SLEDOVÁNÍ VÝROBKU

Po dodání nás zajímá Vaše spokojenost s výrobkem.

Při procesu zlepšování výrobků jsme totiž závislí na Vás a Vašich zkušenostech s prací se strojem:

- Potíže, které se vyskytly během provozu výrobku.
- Chybné funkce stroje, které se vyskytly za určitých provozních podmínek.
- Vaše vlastní zkušenosti z provozu, které mohou být užitečné i pro ostatní uživatele stroje.

Prosíme Vás o zaznamenání Vašich zkušeností a zaslání na naši adresu emailem, faxem nebo poštou:

## PRODUCT EXPERIENCE FORM

We observe the quality of our delivered products in the frame of a Quality Management policy.

Your opinion is essential for further product development and product choice. Please let us know about your:

- Impressions and suggestions for improvement.
- experiences that may be useful for other users and for product design
- Experiences with malfunctions that occur in specific operation modes

We would like to ask you to note down your experiences and observations and send them to us via FAX, E-Mail or by post:

Moje zkušenosti / My experiences:


**Jméno / name:**  
**Výrobek / product:**  
**Datum nákupu / purchase date:**  
**Zakoupeno v / purchased from:**  
**E-Mail/ e-mail:**

Děkujeme za Vaši spolupráci! / Thank you for your kind cooperation!

**KONTAKT / CONTACT:**  
**HOLZMANN MASCHINEN**  
4170 Haslach, Marktplatz 4 AUSTRIA  
Tel : +43 7289 71562 0  
Fax: +43 7289 71562 4  
[info@holzmann-maschinen.at](mailto:info@holzmann-maschinen.at)