

JWSS-22B

Scroll Saw

JWSS-22B...727200BM...

1~ 230V, 50Hz

PARTS LIST

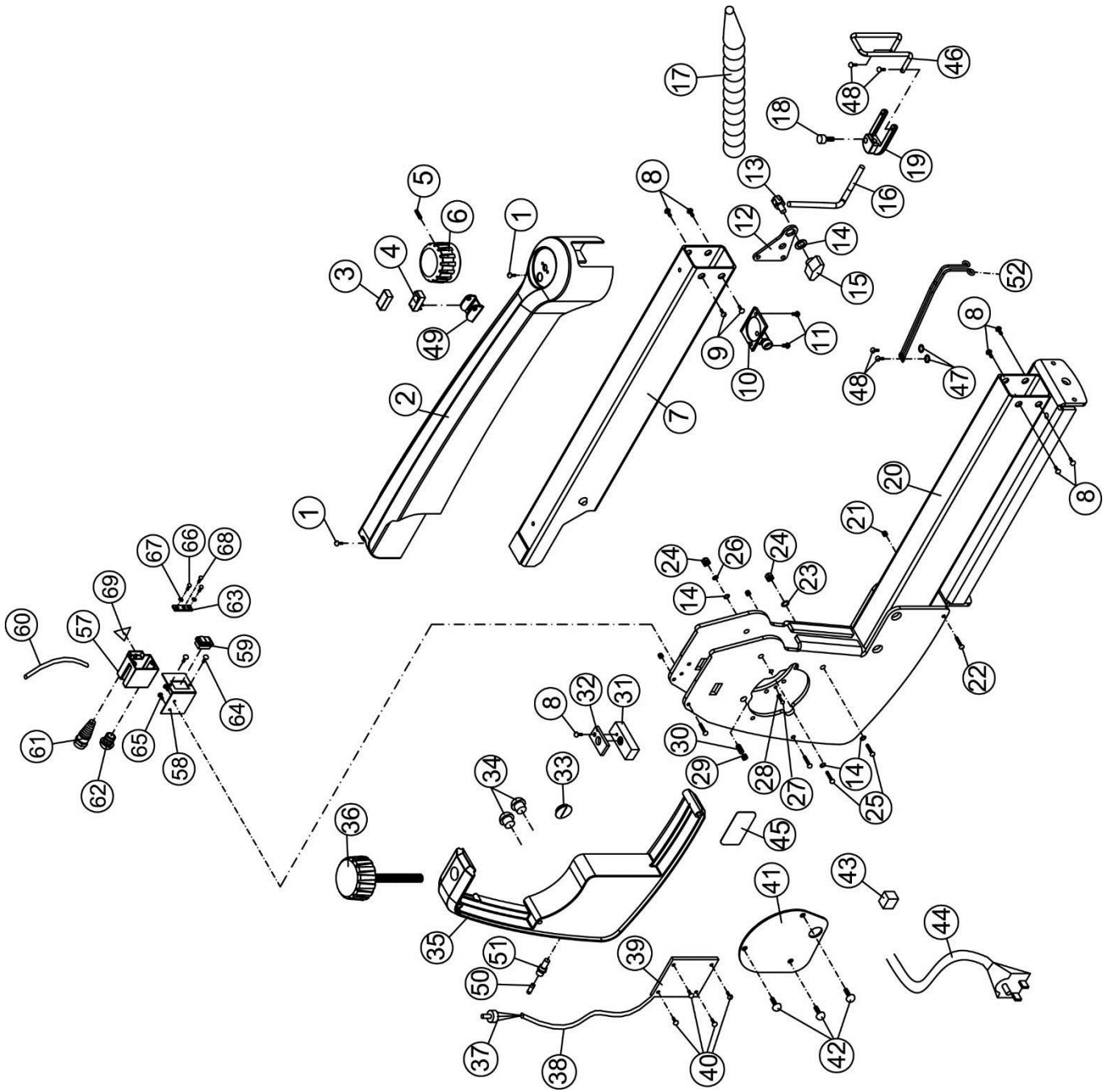
TOOL FRANCE SARL
9 Rue des Pyrénées
91090 Lisses
France

www.jettools.com

P-727200M 2019-05



JWSS-22B Upper & Lower Arm Assembly – Exploded View

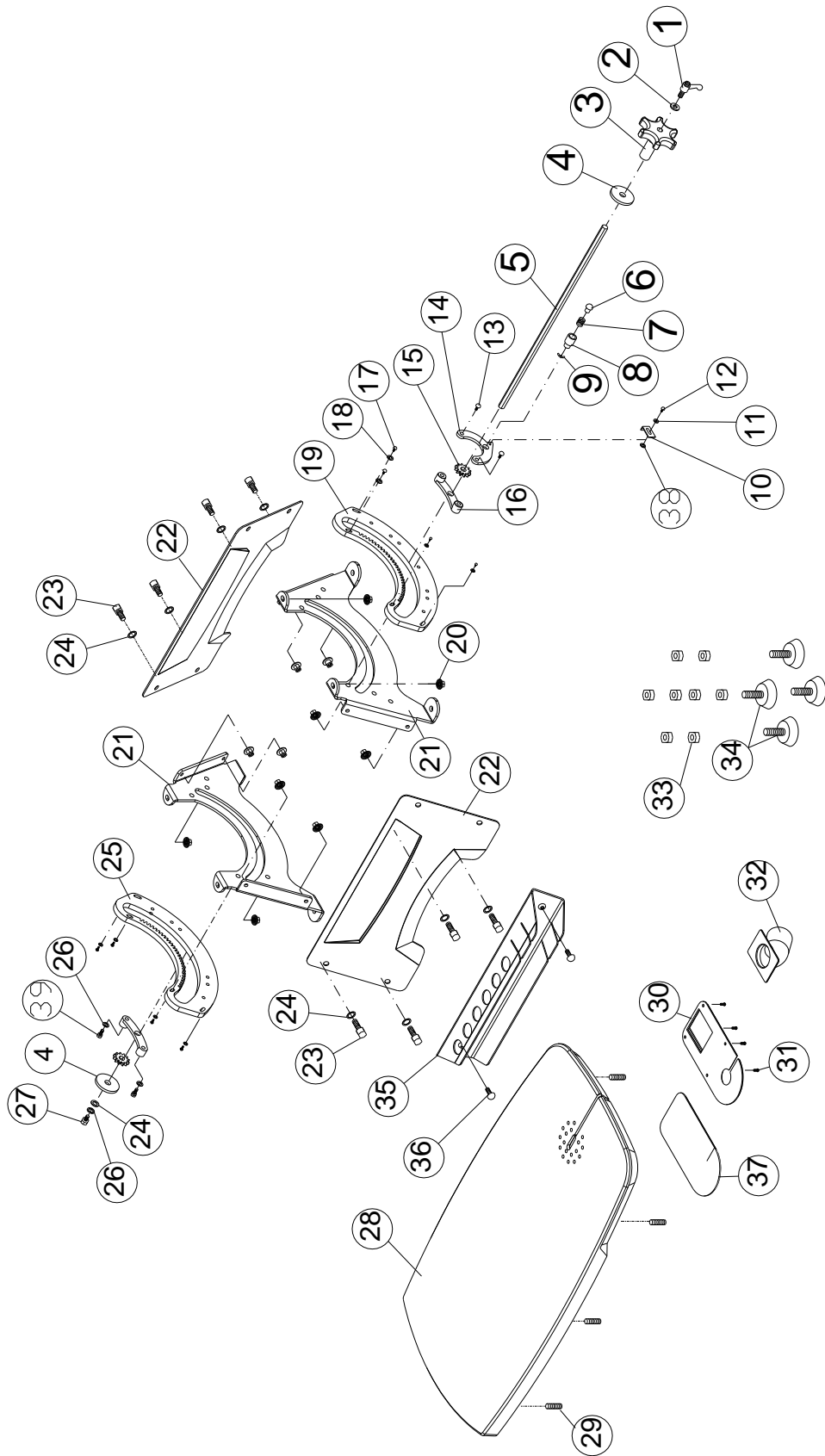


JWSS-22B Upper & Lower Arm Assembly – Parts List

| Index No | Part No | Description | Size | Qty |
|----------|---------------|---------------------------------|--------------|-----|
| 1 | F009668 | Button Head Socket Screw | #10-32x1/4 | 2 |
| 2 | JWSS22B-202 | Top Cover | | 1 |
| 3 | JWSS22B-203 | Switch Rubber Cover | | 1 |
| 4 | JWSS22B-204 | Switch | | 1 |
| 5 | TS-1521031 | Socket Set Screw | M4x8 | 1 |
| 6 | JWSS22B-206 | VR Knob with Speed Label | | 1 |
| 7 | JWSS22B-207 | Upper Arm | | 1 |
| 8 | F009916 | Button Head Socket Screw | #10-32x5/16 | 7 |
| 9 | F009670 | Button Head Socket Screw | #10-32x3/8 | 2 |
| 10 | JWSS22B-210 | Dust Blower | | 1 |
| 11 | TS-081B022 | Pan Head Screw | #8-32x3/8 | 2 |
| 12 | JWSS22B-212 | Hold Down Mount Plate | | 1 |
| 13 | JWSS22B-213 | Hold Down Clamp Screw | | 1 |
| 14 | TS-0680021 | Flat Washer | 1/4" | 4 |
| 15 | JWSS22B-215 | Hold Down Clamp Knob | | 1 |
| 16 | JWSS22B-216 | Hold Down Bar | | 1 |
| 17 | JWSS22B-217 | Air Nozzle | | 1 |
| 18 | TS-0206022 | Socket Head Cap Screw | #10-32x1/2 | 1 |
| 19 | JWSS22B-219 | Hold Down Fork | | 1 |
| 20 | JWSS22B-220E | Main Body | | 1 |
| 21 | 5508073 | Hex Nylon Lock Nut | #10-32 | 3 |
| 22 | F009917 | Button Head Socket Screw | #10-32x2-1/4 | 3 |
| 23 | TS-0680021 | Flat Washer | 1/4 | 1 |
| 24 | TS-0640071 | Hex Nylon Lock Nut | 1/4-20 | 2 |
| 25 | F009918 | Button Head Socket Screw | 1/4-20x2-1/2 | 2 |
| 26 | TS-130205 | Lock Washer | 1/4 | 1 |
| 27 | TS-081B012 | Phillips Pan Head Machine Screw | #8-32x1/4 | 2 |
| 28 | TS-0720041 | External Tooth Lock Washer | #8 | 2 |
| 29 | TS-0561031 | Hex Nut | 3/8-16 | 1 |
| 30 | JWSS22B-230 | Ball Set Screw | 3/8-16x5/8 | 1 |
| 31 | JWSS22B-231 | Housing Cross Block | | 1 |
| 32 | JWSS22B-232 | Cross Block Retainer | | 1 |
| 33 | JWSS22B-233 | Cap | | 1 |
| 34 | JWSS22B-234 | Strain Relief | | 2 |
| 35 | JWSS22B-235 | Control Box | | 1 |
| 36 | JWSS22B-236 | Arm Adjustment Knob | | 1 |
| | JWSS22B-237AE | PC Board with VR (#37,38,39) | | 1 |
| 37 | | Variable Resistor | | 1 |
| 38 | | Control Cable | | 1 |
| 39 | JWSS22B-239E | PC Board | | 1 |
| 40 | JWSS22B-240 | Machine Screw | M4x8 | 4 |
| 41 | JWSS22B-241 | Cover Plate | | 1 |
| 42 | TS-0254021 | Button Head Socket Screw | 1/4-20x1/2 | 3 |
| 43 | JWSS22B-243 | Sponge Block | | 1 |
| 44 | JWSS22B-244E | Power Cord | 3x18AWG | 1 |
| 45 | JET-92 | JET Logo | 92x38mm | 1 |
| 46 | JWSS22B-246 | Upper Blade Guard | | 1 |
| 47 | TS-2361041 | Lock Washer | M4 | 2 |
| 48 | TS-081B022 | Phillips Pan Head Machine Screw | #8-32x3/8 | 2 |
| 49 | JWSS22B-249 | Switch Protector | | 1 |
| 50 | JWSS22B-250E | Fuse | 5 A | 1 |
| 51 | JWSS22B-251 | Fuse Holder | | 1 |
| 52 | JWSS22B-252 | Lower Blade Guard | | 1 |
| 55 | LM000188E | Warning Label (not shown) | 49x100mm | 1 |
| 56 | LM000189E | ID Label, JWSS-22B (not shown) | | 1 |
| 57 | JWL1015-168 | Switch Box | | 1 |

| Index No | Part No | Description | Size | Qty |
|----------|--------------|--|------------------|-----|
| 58 | JWSS22B-258E | Bracket..... | | 1 |
| 59 | JWSS22B-259E | Magnetic Switch..... | | 1 |
| 60 | JWSS22B-260E | Connection Cable..... | | 1 |
| 61 | JWSS22B-261E | Cable Protector..... | | 1 |
| 62 | JML-70E | Strain Relief..... | PG 9..... | 1 |
| 63 | JWL1015-171 | Ground Plate..... | | 1 |
| 64 | TS-081C022 | Pan Head Screw..... | #10-24x3/8"..... | 2 |
| 65 | TS-1533032 | Pan Head Screw..... | M5x10..... | 2 |
| 66 | JWSS22B-266E | Pan Head Screw..... | M5x6..... | 2 |
| 67 | TS-0733041 | External Tooth Lock Washer..... | 1/4"..... | 2 |
| 68 | JWL1015-163 | Tapping Screw..... | M3.5x6mm..... | 1 |
| 69 | 3520A-289E | Warning Label..... | | 1 |
| 70 | JWSS22B-267 | Cable, Main Switch to PCB (not shown)..... | | 1 |

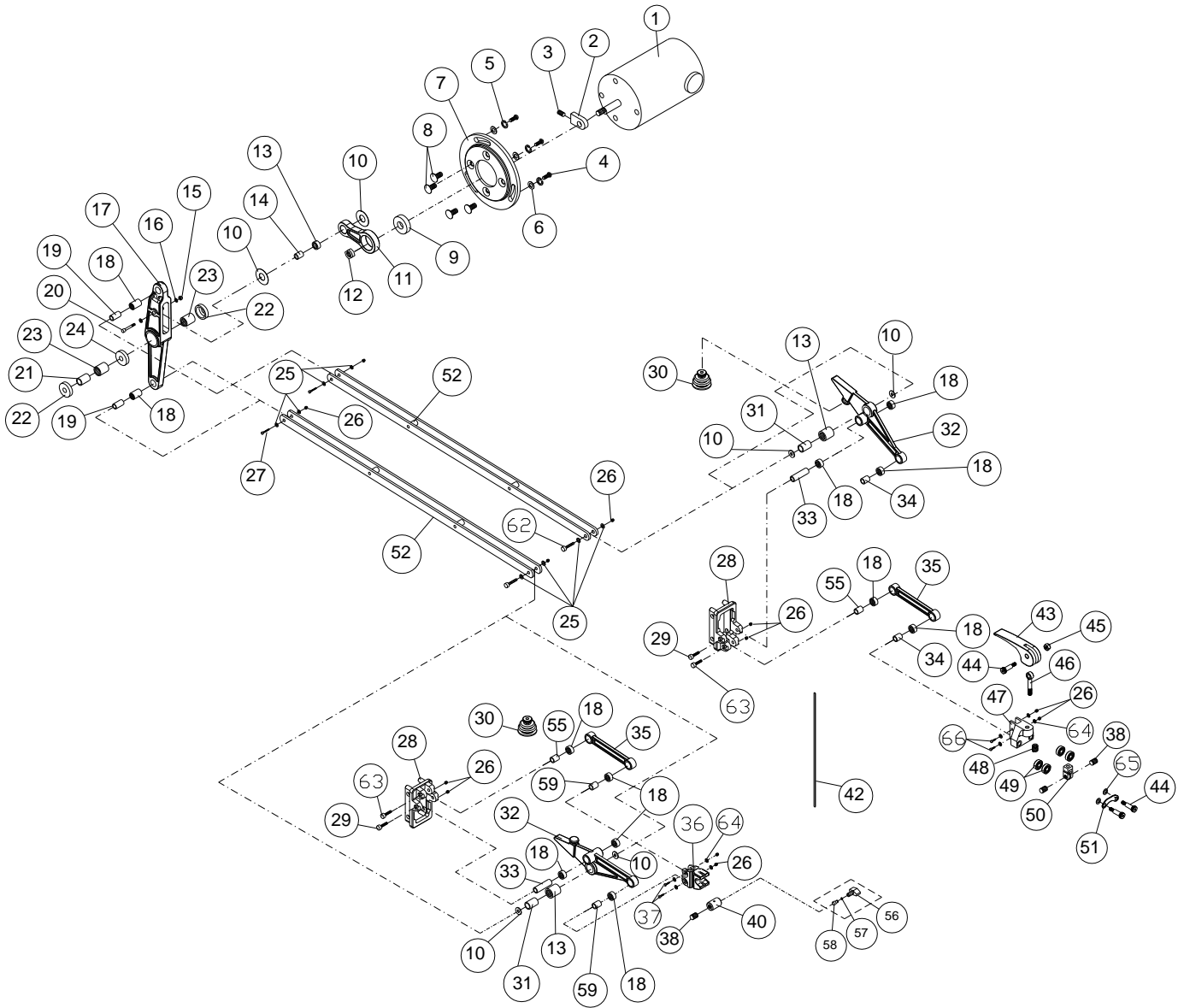
JWSS-22B Table & Cabinet Assembly – Exploded View



JWSS-22B Table & Cabinet Assembly – Parts List

| Index No | Part No | Description | Size | Qty |
|----------|-------------|---------------------------------|--------------|-----|
| 1 | JWSS22B-301 | Blade Tilt Locking Lever | | 1 |
| 2 | TS-0680021 | Flat Washer | 1/4 | 1 |
| 3 | JWSS22B-303 | Tilt Adjust Knob | | 1 |
| 4 | JWSS22B-304 | Blade Tilt Washer | | 2 |
| 5 | JWSS22B-305 | Tilt Lock Draw Rod | | 1 |
| 6 | JWSS22B-306 | Detent Plunger | | 1 |
| 7 | JWSS22B-307 | Spring | | 1 |
| 8 | JWSS22B-308 | Tilt Detent Barrel | | 1 |
| 9 | JWSS22B-309 | E-Ring | ETW-3 | 1 |
| 10 | JWSS22B-310 | Pointer | | 1 |
| 11 | TS-1550021 | Flat Washer | M4 | 1 |
| 12 | TS-2284061 | Phillips Pan Head Machine Screw | M4x6 | 1 |
| 13 | TS-0254061 | Button Head Socket Screw | 1/4-20x1 | 2 |
| 14 | JWSS22B-314 | Angle Indicator Bracket | | 1 |
| 15 | JWSS22B-315 | Blade Tilt Drive Gear | | 2 |
| 16 | JWSS22B-316 | Angle Follower | | 2 |
| 17 | F009916 | Button Head Socket Screw | #10-32x5/16 | 8 |
| 18 | TS-069204 | Flat Washer | #10x12x1 | 8 |
| 19 | JWSS22B-319 | Front Trunnion Plate | | 1 |
| 20 | JWSS22B-320 | Hex Flange Nut | 1/4-20UNC | 12 |
| 21 | JWSS22B-321 | Trunnion | | 2 |
| 22 | JWSS22B-322 | Side Panel | | 2 |
| 23 | TS-0254041 | Button Head Socket Screw | 1/4-20x3/4 | 8 |
| 24 | TS-0680021 | Flat Washer | 1/4 | 9 |
| 25 | JWSS22B-325 | Rear Trunnion Plate | | 1 |
| 26 | TS-0720071 | Lock Washer | 1/4 | 3 |
| 27 | TS-0050011 | Hex Cap Screw | 1/4-20x1/2 | 1 |
| 28 | JWSS22B-328 | Table | | 1 |
| 29 | TS-0273062 | Socket Set Screw | 1/4-20x1 | 4 |
| 30 | JWSS22B-330 | Dust Collect Plate | | 1 |
| 31 | JWL1015-124 | Button Head Socket Screw | #10-24x1/4 | 4 |
| 32 | JWSS22B-332 | Dust Port | 1-1/2 OD | 1 |
| 33 | TS-0561082 | Hex Nut | 3/8-16 | 8 |
| 34 | JWSS22B-334 | Leveling Foot | 3/8-16x1-1/4 | 4 |
| 35 | JWSS22B-335 | Blade Rack | | 1 |
| 36 | TS-2286121 | Pan Head Screw | M6x12 | 2 |
| 37 | JWSS22B-337 | Sponge | | 1 |
| 38 | F002095 | External Tooth Lock Washer | M4 | 1 |
| 39 | TS-0050031 | Hex Cap Screw | 1/4-20x3/4 | 2 |

JWSS-22B Drive Link Assembly – Exploded View

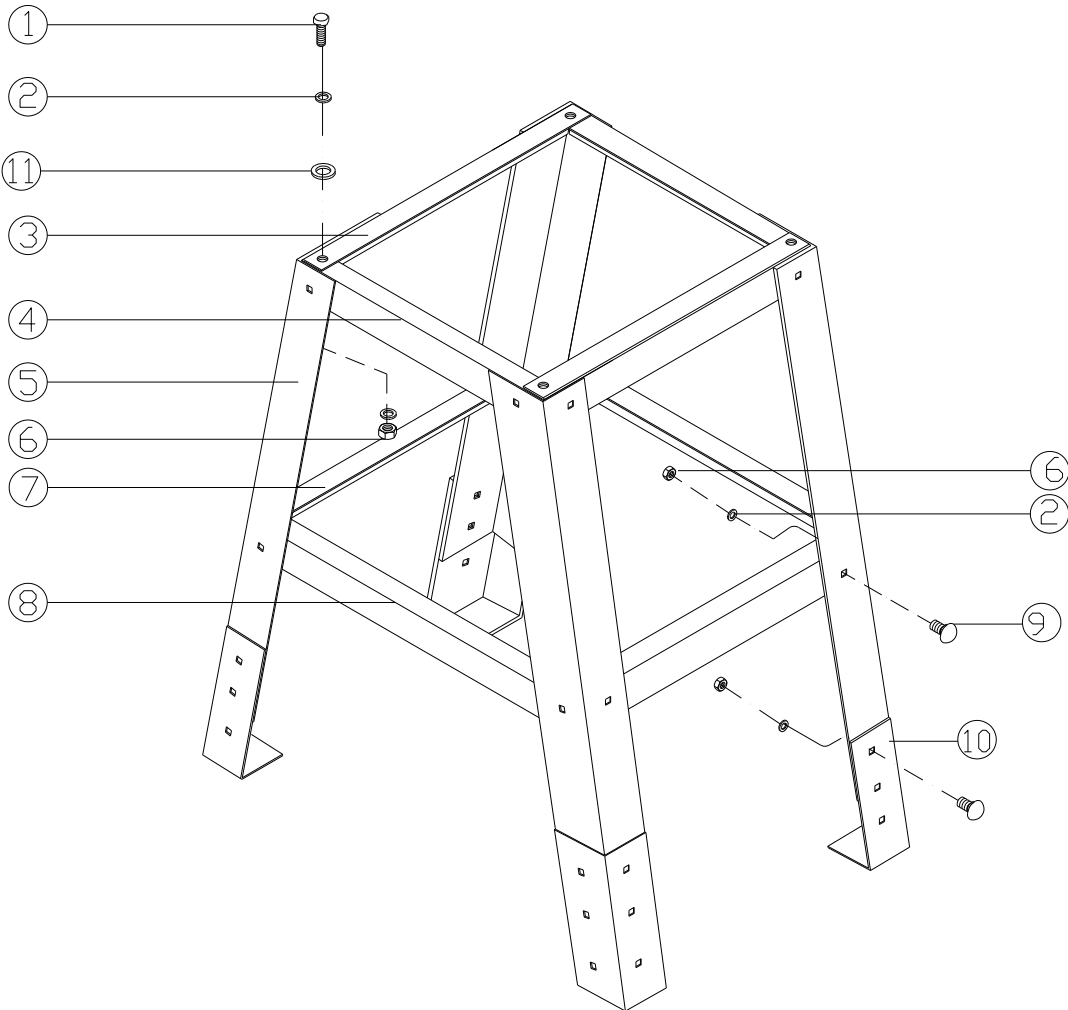


JWSS-22B Drive Link Assembly – Parts List

| Index No | Part No | Description | Size | Qty |
|----------|---------------|--|---|-----|
| 1 | JWSS22B-401E | Motor | | 1 |
| | JWSS22B-MCB | Motor Carbon Brush (not shown) | | 2 |
| | JWSS22B-MCBC | Motor Carbon Brush Cap (not shown) | | 2 |
| | LM000190E | Motor Label, JWSS-22B (not shown) | | 1 |
| 2 | JWSS22B-402 | Balance Block | | 1 |
| 3 | TS-1523011 | Socket Set Screw | M6x6 | 1 |
| 4 | TS-0254021 | Button Head Socket Screw | 1/4-20x1/2 | 3 |
| 5 | TS-0720071 | Lock Washer | 1/4 | 3 |
| 6 | TS-0680021 | Flat Washer | 1/4 | 3 |
| 7 | JWSS22B-407 | Motor Cover Plate | | 1 |
| 8 | TS-1514021 | Socket Head Flat Screw | M6x16 | 4 |
| | JWSS22B-CDLA | Complete Drive Link Assembly (#9 thru 27, #52) | | 1 |
| 9 | BB-608ZZ | Ball Bearing | 608ZZ | 1 |
| 10 | TS-1550061 | Flat Washer | M8 | 6 |
| 11 | JWSS22B-411 | Motor Cam | | 1 |
| 12 | JWSS22B-412 | Nut | M8xP1.25LH | 1 |
| 13 | JWSS22B-413 | Bearing | 810 | 3 |
| 14 | JWSS22B-414 | Inner Bearing Sleeve | Ø8.046x21.5mm | 1 |
| 15 | TS-1541011 | Hex Nylon Lock Nut | M5 | 1 |
| 16 | TS-1550031 | Flat Washer | M5 | 2 |
| 17 | JWSS22B-417 | Rocker Cam | | 1 |
| 18 | JWSS22B-418 | Bearing | 0609 | 12 |
| 19 | JWSS22B-419 | Inner Bearing Sleeve (Long) | Ø6.03x16.5mm | 2 |
| 20 | F005667 | Socket Head Cap Screw | M5x28 | 1 |
| 21 | JWSS22B-421 | Main Rocker Pivot | Ø14.04x35.50mm | 1 |
| 22 | JWSS22B-422 | Bearing Cover | | 2 |
| 23 | JWSS22B-423 | Bearing | 1412 | 2 |
| 24 | JWSS22B-424 | Bushing | | 1 |
| 25 | TS-1550021 | Flat Washer | M4 | 8 |
| 26 | TS-1541001 | Hex Nylon Lock Nut | M4 | 12 |
| 27 | TS-1501071 | Socket Head Cap Screw | M4x25 | 6 |
| 28 | JWSS22B-428 | Rocker Mount | | 2 |
| 29 | F005359 | Socket Head Cap Screw | M4x45 | 2 |
| 30 | JWSS22B-430 | Air Pump Bellows | | 2 |
| 31 | JWSS22B-431 | Inner Bearing Sleeve – Front Rocker | Ø8.03x18.40mm | 2 |
| 32 | JWSS22B-432 | Front Rocker | | 2 |
| 33 | JWSS22B-433 | Inner Bearing Sleeve (Long) | Ø6.03x37mm | 2 |
| 34 | JWSS22B-434 | Inner Bearing Sleeve | Ø6.03x16mm | 2 |
| 35 | JWSS22B-435 | Strut | | 2 |
| | JWSS22B-NLBCK | New Lower Blade Chuck Kit (#26,36,37,59,64) <i>Serial no. 18010446 and higher</i> | | 1 |
| 36 | JWSS22B-436A | Lower Blade Chuck with Magnet | | 1 |
| 37 | F005668 | Socket Head Cap Screw | M4x22 | 2 |
| 38 | JWSS22B-438 | Set Screw | M6x5 | 5 |
| | 727201 | Lower Blade Holder Assembly (#38, 40, 56 thru 58), set of 3 | | 1 |
| 40 | JWSS22B-440 | Lower Blade Holder | | 2 |
| 42 | JWSS22B-442 | Blade | 0.36mm (t) x 1.1mm (W) x 130mm (L) x 11 TPI | 5 |
| 43 | JWSS22B-443 | Tension Lever | | 1 |
| 44 | JWSS22B-444 | Screw | | 3 |
| 45 | TS-1541011 | Hex Nylon Lock Nut | M5 | 1 |
| 46 | JWSS22B-446 | Bolt | | 1 |
| 47 | JWSS22B-447 | Upper Blade Chuck | | 1 |
| 48 | JWSS22B-448 | Spring | | 1 |
| 49 | JWSS22B-449 | Bearing | R4ZZ | 4 |
| 50 | JWSS22B-450 | Blade Clamp Assembly (includes #38) | | 1 |
| 51 | JWSS22B-451 | Plate | | 1 |
| 52 | JWSS22B-452 | Drive Link Assembly | | 2 |

| Index No | Part No | Description | Size | Qty |
|----------|--------------|------------------------------------|--------------|-----|
| 55 | JWSS22B-455 | Inner Bearing Sleeve (Short) | Ø6.03x21mm | 2 |
| | JWSS22B-TSA | Thumb Screw Assembly (#56 thru 58) | | 1 |
| 56 | JWSS22B-456 | Thumb Screw | | 1 |
| 57 | JWSS22B-457 | O-Ring | | 1 |
| 58 | JWSS22B-458 | Press Bar | | 1 |
| 59 | JWSS22B-459A | Inner Bearing Sleeve | Ø6.03x14.2mm | 1 |
| 62 | F005673 | Socket Head Cap Screw | M4x27 | 2 |
| 63 | TS-1501081 | Socket Head Cap Screw | M4x30 | 2 |
| 64 | TS-1550021 | Flat Washer | M4 | 8 |
| 65 | TS-1550041 | Flat Washer | M6 | 2 |
| 66 | F005672 | Socket Head Cap Screw | M4x24 | 2 |

Stand (OPTIONAL) for JWSS-22B Scroll Saw – Exploded View



Stand (OPTIONAL) for JWSS-22B Scroll Saw – Parts List

| Index No | Part No | Description | Size | Qty |
|----------|-------------|--|-----------------|-----|
| | 727200S | Stand for Scroll Saw (#1 thru 10) | | |
| 1 | TS-0051051 | Hex Cap Screw | 5/16"-18 x 1" | 4 |
| 2 | TS-0680031 | Flat Washer | 5/16" | 32 |
| 3 | JWSS22B-103 | Top Short Brace | | 2 |
| 4 | JWSS22B-104 | Top Long Brace | | 2 |
| 5 | JWSS22B-105 | Leg | | 4 |
| 6 | TS-0570021 | Hex Nut | 5/16"-18 | 28 |
| 7 | JWSS22B-107 | Bottom Short Brace | | 2 |
| 8 | JWSS22B-108 | Bottom Long Brace | | 2 |
| 9 | JWSS22B-109 | Round Hd. Carriage Bolt, b.oxide | 5/16"-18 x 1/2" | 24 |
| 10 | JWSS22B-110 | Leg Extension | | 4 |
| 11 | JWSS22B-111 | Rubber washer (included with saw hardware) | | 4 |
| | JWSS22B-SHK | Stand Hardware Kit (#1,2,6,9) | | |

JWSS-22B..727200BM....1~230V,50Hz

| | colour of strands | Litzenfarben | couleur des cordons |
|------|-------------------|--------------|---------------------|
| BK | black | schwarz | noir |
| WH | white | weiß | blanc |
| BU | blue | blau | bleu |
| YE | yellow | gelb | jaune |
| RD | red | rot | rouge |
| BN | brown | braun | brun |
| GY | grey | grau | gris |
| GNYE | green-yellow | grün-gelb | vert-jaune |
| OG | orange | orange | orange |
| VT | violet | violett | violet |

| | meaning of symbol | Bedeutung der Zeichen | interprétation |
|----|--------------------|------------------------|------------------------|
| M | motor | Motor | moteur |
| S | switch | Schalter | interrupteur |
| C | condenser | Kondensator | condensateur |
| E | electronic unit | Elektronik Einheit | unité électronique |
| F | fuse | Sicherung | fusible |
| RS | reversing switch | Drehrichtungsschalter | commu. droite/gauche |
| CS | centrifugal switch | Fliehkraftschalter | déclencheur centrifuge |
| OL | overload cut-off | Überlastschuttschalter | déclencheur surcharge |
| LS | limit switch | Positionsendschalter | micro |

