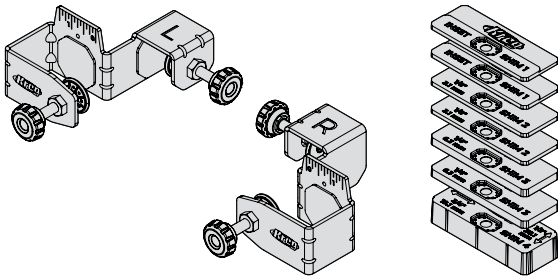


OWNER'S MANUAL



Drawer Front Mounting Jig

Manual applies to Item # KCS-DFMT, KCS-DFMT-PRO, KCS-DFMT-INT



WARNING Every user must read and follow instructions and safety precautions in this manual. Failure to do so could result in serious injury. Save manual for future reference.

We're here to help.

We want you to have an exceptional project building experience.

If you have questions or need support, please get in touch.

1-800-447-8638 | technicalsupport@kregtool.com

Tell us about your experience.

Your opinion counts. And we're always looking for ways to improve. Share your feedback so we can keep growing and innovating for you. www.kregtool.com/feedback

Table of Contents

Safety Precautions2	Inset Drawer Fronts.7
Pre-Operation.3	Care and Cleaning7
Operation4	Troubleshooting.7

Safety Precautions

WARNING Before using a power tool with this product, read and follow the tool manufacturer's instructions and safety precautions in addition to the safety precautions below to reduce risk of serious injury from hazards such as fire, electric shock, or rotating saw blade.

- Follow your tool's manufacturer's safety guidelines.
- Always wear personal protective equipment you certify as adequate in addition to what your saw manufacturer requires.
- Do not allow familiarity gained from frequent use of your tools to replace safe work practices. A moment of carelessness is sufficient to cause severe injury.

WARNING Dress properly. Do not wear loose clothing or jewelry. Keep hair, clothing, and gloves away from moving parts. Failure to do so can result in clothing, hair, or jewelry becoming caught in moving parts, causing serious injury.

WARNING Always wear certified personal protective equipment, including safety glasses, hearing protection, and respiratory protection. When using a power tool, always follow the manufacturer's personal protection equipment requirements.

WARNING Keep hands and body parts clear of pinch points when clamping and unclamping to avoid injury.

WARNING Do not operate this tool or any machinery while under the influence of drugs, alcohol, or medications.

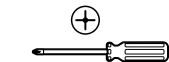
WARNING This product can expose you to Acrylonitrile and other chemicals which are known to the State of California to cause cancer. For more information go to www.P65Warnings.ca.gov.

WARNING Keep magnetic shims away from pacemakers. Magnets can generate strong fields that may damage pacemakers. In addition, keep shims away from children and magnetically sensitive equipment.

Pre-Operation

Review this section before you begin. Ensure you have all tools/materials on hand and compare the package with the items listed in the Hardware Included and Product Description sections. If any item appears missing or lost, do not use this product. Contact Technical Support or return product to place of purchase.

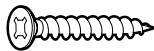
Recommended Tools/Materials (Not Included)



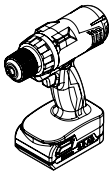
Phillips screwdriver



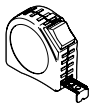
Drill bit



Screws



Drill

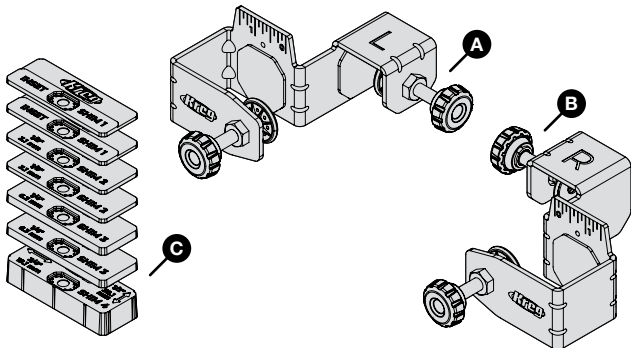


Tape measure



Clamp

Product Description



Part	Description
A	Left drawer-front clamp
B	Right drawer-front clamp

Part	Description
C	Setup and spacer shim set (KCS-DFMT-PRO only)

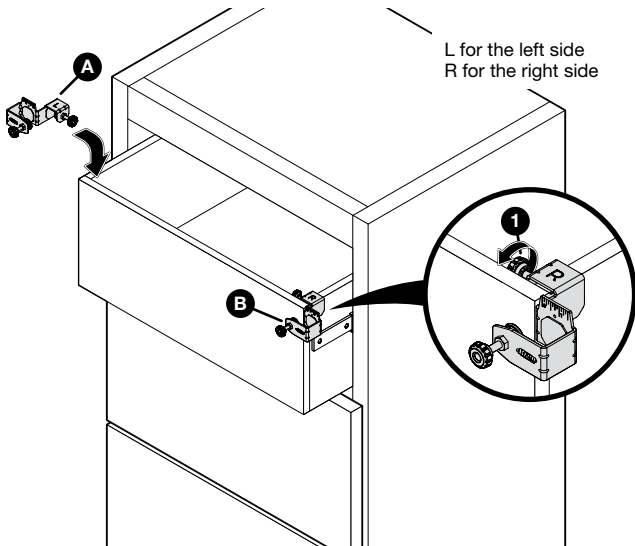
Operation

Before using the Kreg Drawer Front Mounting Jig, ensure that you have at least 1/4" (7 mm) of space on each side between the drawer box and the cabinet side or face frame.

If the drawer has side mounted slides, the upper edge of the drawer slide must be at least 1-3/4" (45 mm) down from the top of the drawer box.

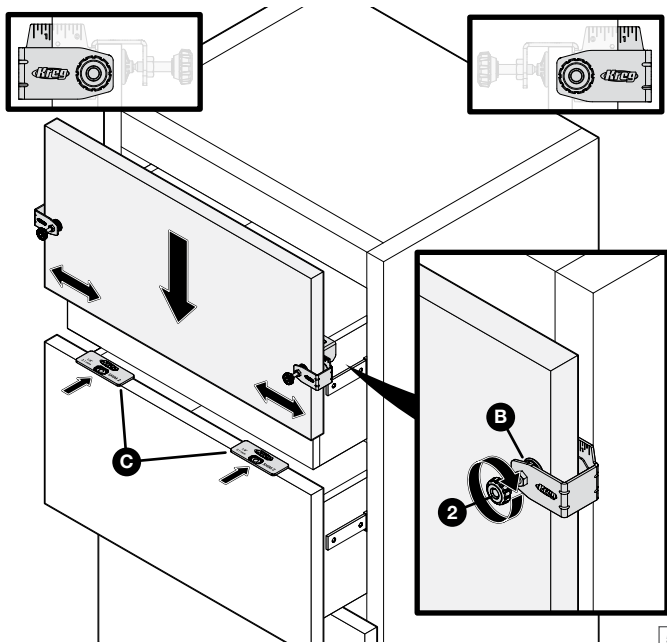
1 Place Drawer Front Mounting Clamps

- Place the clamps (A and B) on top of the drawer box.
- Align the clamps so that the face with the positioning indicator measurements is flush with the front of the drawer box.
- Tighten the drawer box clamping knobs (1).



2 Place Drawer Front

- Slide the drawer front into the mounting clamps. Use the positioning indicator measurements to place the drawer front as close to centered as possible.
- Tighten front clamping knobs (2) enough to hold in place, but loose enough to allow adjustment.
- Using a spacer, tape measure, or the Kreg Setup and Spacer Shim set (C) (included in -PRO system only) position the drawer front in the exact desired location while the drawer is closed.
- Tighten front clamping knobs (2) to hold firmly in position.



3 Install Drawer Front

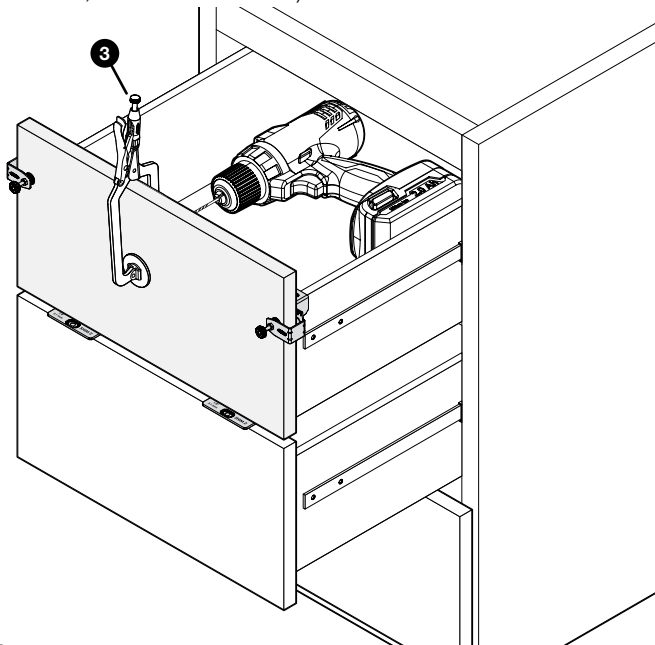
- a. Move the drawer to open position.

Tip For best results, place a clamp (3) in position to hold the drawer front firmly to the drawer box.

- b. From inside the drawer box, drill through the drawer box and into the drawer front.

Important Use a depth gauge to ensure the drill bit does not go through the drawer front.

- c. Permanently attach the drawer front with the proper screw size (clamp, screws, and drill bit not included).



Inset Drawer Fronts

The Kreg Drawer Front Mounting Jig is designed for installing overlay drawer fronts and does not work with inset fronts. You can position inset drawer fronts using the “INSET” Setup and Spacer Shims (Included with the KCS-DFMT-PRO or available separately), along with another method for holding the drawer fronts in place, such as double-faced tape or mechanical fasteners.

Care and Cleaning

For best results, keep non-slip surfaces clear of dust.

Troubleshooting

Problem	Possible Cause	Solution
Drawer front slipping	Front clamps not tightened enough	Reposition and tighten.
Drawer front out of position after permanent attachment	Moved prior to attachment	Remove screws and realign, making sure clamps are tight. Clamp firmly to drawer box. Drill new pilot holes in new location, and attach with screws.
Indentations or marks on drawer box or drawer front	Clamps too tight	Loosen the clamps but make sure they hold in place. Do not overtighten.



EXPLORE. BUILD. SHARE.

We're makers just like you.
That's why we love to see what you're working on.
Share with the community and get inspired!

#madewithKreg

Get free plans, project resources, and more.
kregtool.com and buildsomething.com