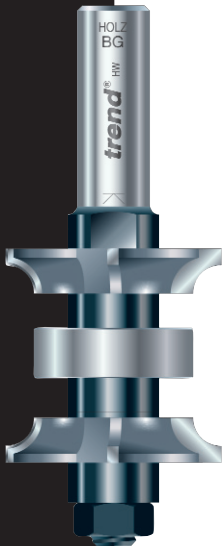




# Rounding Over Set 755



Please read carefully before use

## ROUNDING OVER SET REF. 755

Thank you for purchasing this Trend router cutter, which should perform for years if used in accordance with these instructions.

The following symbols are used throughout these instructions.



Denotes risk of personal injury, loss of life or damage to the tool in case of non-observance of the instructions.



Refer to the instruction manual of your power tool.

This cutter must not be put into service until it has been established that the power tool to be connected to this unit is in compliance with 98/37/EC (identified by the CE marking on the power tool).

### INTENDED USE

We recommend that this cutter set should be used in a fixed position, either in an overhead or table routing machine, or in a portable router mounted in a fixed mode.

Two rounded corners can be cut simultaneously. By adjusting the assembly of spacers on the arbor, timber between 10mm and 32mm thick can be moulded.

The bearing can either be mounted between the profile blocks or above or below them. This depends on the thickness of timber to be machined.

When assembling follow the sequences of the diagrams. Ensure that profile blocks are assembled to match the spindle rotation.

When the bearing is fixed either above or below cutter blocks, a template guide or straight edge guide will be required.

The cutter can be used on timber ranging from 10mm thick to 32mm thick.

### SAFETY

Please read and understand the safety points at the end of this instruction as well as the power tool instructions before use.

PLEASE KEEP THESE INSTRUCTIONS IN A SAFE PLACE.

The attention of UK users is drawn to The Provision and Use of Work Equipment Regulations 1998, and any subsequent amendments.

Users should also read the HSE/HSC Safe Use of Woodworking Machinery Approved Code of Practice and Guidance Document and any amendments.

Users must be competent in using woodworking equipment before using our products.

### ITEMS REQUIRED

- n Router with suitable collet fitted.
- n Hand tools.



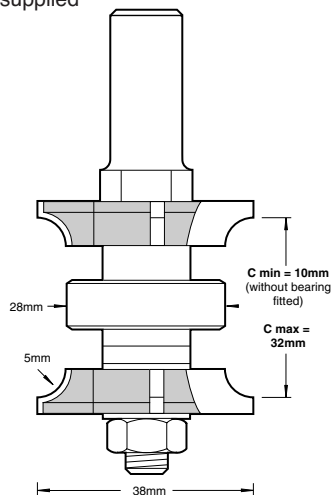
Recommended speed is 24,000rpm

### OPERATION



### ROUNDING OVER SET

as supplied



### PARTS SUPPLIED IN SET

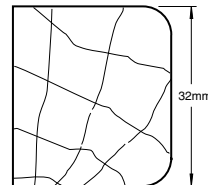
see diagrams

- |                         |    |
|-------------------------|----|
| A. Arbor                | x1 |
| B. Upper Block - 3 Wing | x1 |
| C. Lower Block - 3 Wing | x1 |
| D. 28.0mm Ø Bearing     | x1 |
| E. Spacer 6.0mm         | x1 |
| F. Spacer 3.0mm         | x1 |
| G. Washer 1.0mm         | x4 |
| H. Washer 0.5mm         | x2 |
| I. Nut 13mm A/F         | x1 |



Before using cutter, please ensure it is correctly assembled and locking nut is fully tightened.

### MINIMUM AND MAXIMUM TIMBER SIZES



## ENVIRONMENTAL PROTECTION

Recycle raw materials instead of disposing as waste.

Packaging should be sorted for environmental-friendly recycling. The product and its accessories at the end of its life should be sorted for environmental-friendly recycling.

## GUARANTEE

All Trend products are guaranteed against any defects in either workmanship or material, except products that have been damaged due to improper use or maintenance.

© Trend Machinery & Cutting Tools Ltd. 2007 E&OE  
 © All trademarks acknowledged

**Trend Machinery & Cutting Tools Ltd.**  
 Odhams Trading Estate St. Albans Road  
 Watford WD24 7TR England  
**Enquiries:** 0800 487363  
**Technical Support:** 0044 (0) 1923 224681  
**Fax:** 0044 (0) 1923 236879  
**Email:** enquiry@trendm.co.uk  
**Web:** www.trend-uk.com

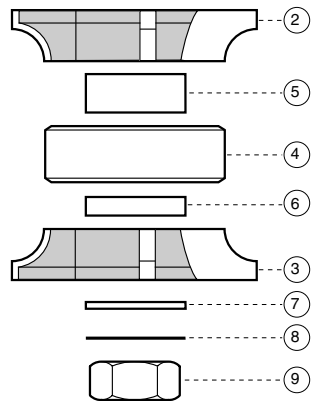
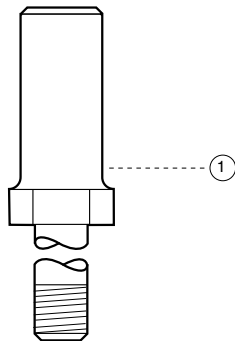


RS 28982  
 Stockholding  
 & Supply

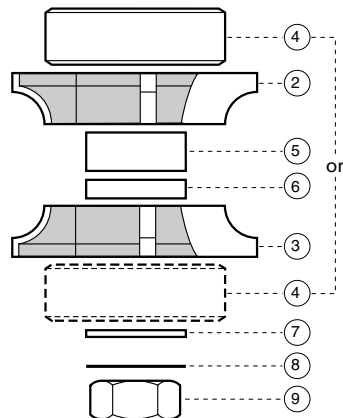
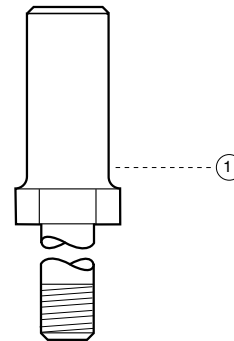


RECYCLABLE

Assembly Diagram for wood thickness 19-32mm



Assembly Diagram for wood thickness 10-19mm



## SPARE PARTS

Description	Order Ref.
Upper Block - Three Wing	SP-755B
Lower Block - Three Wing	SP-755C
Arbor with Spacers	SP-755A
Bearing 28mm Ø	BB28
Alternative Bearing 22mm Ø	BB22
Replacement Arbor Nut	ANUT/33/30
Spacer Set	SPACER/8

## MAINTENANCE

Continual satisfactory operation depends upon proper tool care and regular cleaning.

## Cleaning

- n Remove resin build-up regularly.
- n Apply a rust protector to shanks. Do not use rust protector on ball bearing guides

## Lubrication

- n Use a PTFE dry lubricant spray on tool.
- n Apply a rust protector to shanks. Do not use rust protector on ball bearing guides

## Storage

## Safety Points

1. Disconnect power tool and attachment from power supply when not in use, before servicing, when making adjustments and when changing accessories such as cutters. Ensure switch is in "off" position and cutter has stopped rotating.
  2. Read and understand instructions supplied with power tool, attachment and cutter.
  3. Current Personal Protective Equipment (PPE) for eye, ear and respiratory protection must be worn. Keep hands, hair and clothes clear of the cutter.
  4. Before each use check cutter is sharp and free from damage. Do not use if cutter is dull, broken or cracked or if any damage is noticeable or suspected.
  5. The maximum speed (nmax) marked on tool or in instructions or on packaging shall not be exceeded. Where stated, the speed range should be adhered to.
  6. Insert the shank into the router collet at least all the way to the marked line indicated on the shank. This ensures at least 3/4 of shank length is held in collet. Ensure clamping surfaces are clean.
  7. Check all fixing and fastening nuts, bolts and screws on power tool, attachment and cutting tools are correctly assembled, tight and to correct torque setting before use.
  8. Ensure all visors, guards and dust extraction is fitted.
  9. The direction of routing must always be opposite to the cutter's direction of rotation.
  10. Do not switch power tool on with the cutter touching the workpiece.
  11. Trial cuts should be made in waste material before starting any project.
  12. Repair of tools is only allowed according to tool manufacturers instructions.
- Please see [www.trend-uk.com/safety](http://www.trend-uk.com/safety) for more safety advice.



Our policy of continuous improvements mean that specifications may change without notice. Trend Machinery & Cutting Tools Ltd. cannot be held liable for any material rendered unusable, or for any form of consequential loss.

