



**DE BETRIEBSANLEITUNG** original

**Gartenhäcksler leise**

**EN OPERATION MANUAL** translation

**Silent garden shredder**

**FR MANUEL D'UTILISATION**  
traduction

**Broyeur de végétaux  
silencieux**



ZIPPER MASCHINEN GmbH

Gewerbepark 8 | 4707 Schlüsslberg | AUSTRIA

Tel. +43 - 7248 / 61116-700 |

Fax +43 / 7248 - 61116-720

info@zipper-maschinen.at, www.zipper-maschinen.at

**ZIPPER**



**ZI-GHAS2800**

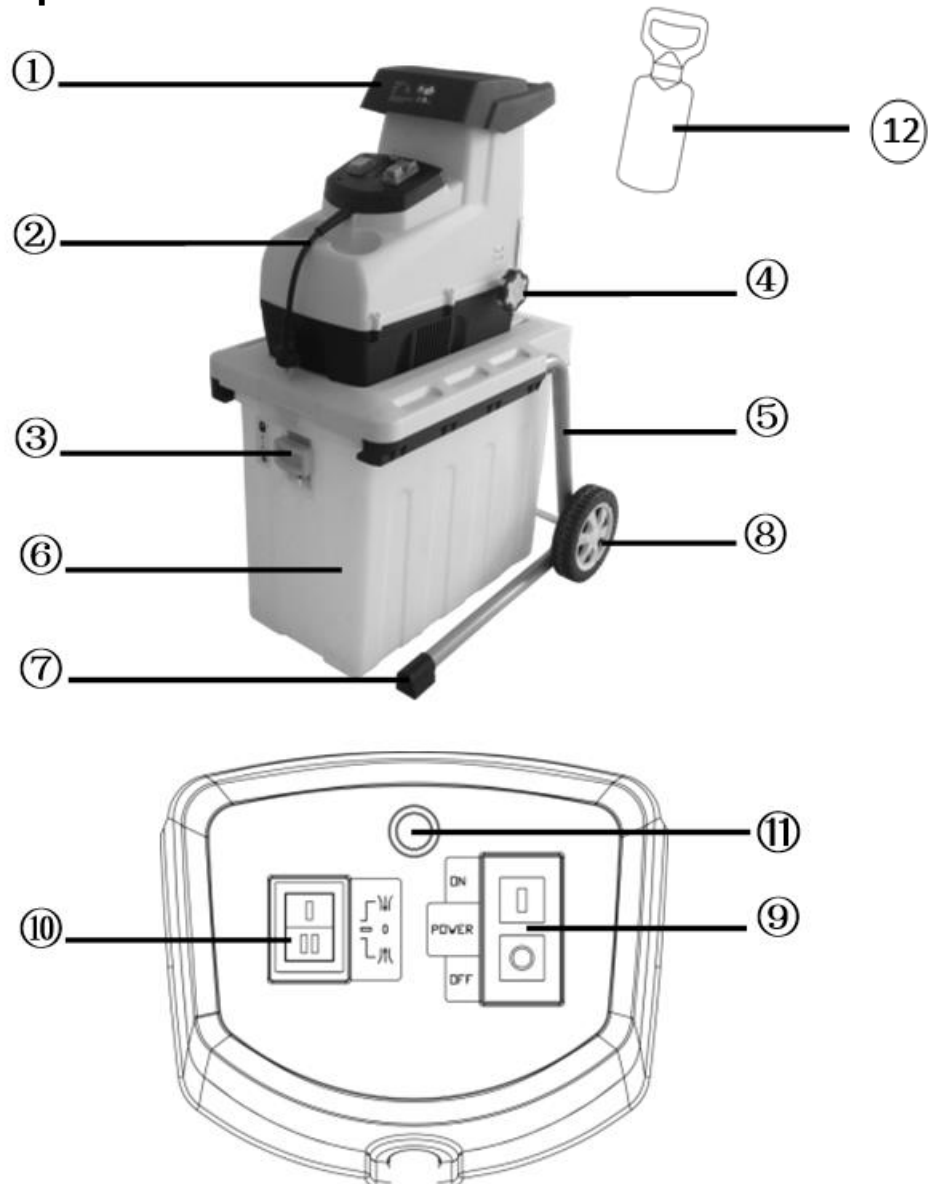
EAN : 9120039231846



Edition- Revision 01 - CEC - DE/EN/FR

## 11 TECHNIC


### 11.1 Main Components and Controls



ZI-GHAS2800			
1	Feeding hopper	7	Base foot
2	Plug	8	Wheel
3	Lock button	9	On/Off - switch
4	adjusting knob	10	Rotation direction switch
5	Support	11	Reset button (Motor protection)
6	Collection box	12	Push stick



## 11.2 Technical Data

ZI-GHAS2800	
Voltage	230V, 50 Hz,
Motor power S6(40%)	2800 W
No load speed	60 min <sup>-1</sup>
Collection box capacity	60 l
Weight	19 kg
Branch diameter	max. Ø 44 mm
Guaranteed Sound power level L <sub>WA</sub>	94 dB(A)
Sound pressure level L <sub>PA</sub>	71,7 dB(A) k: 3 dB(A)
Protection class	II 
Protection degree	IPX4

## 11.3 Scope of delivery

Unpack the lawnmower ZIPPER GHAS2800 and check if the machine is in perfect condition and the delivery is complete.

### Package Contents:

Engine 1x, 1x base frame, 1x user manual, 1x Allen / Star screwdriver, 1x collection box, 1x bolts for wheels, wheels 2x, 2x wheels, 2x wheel cover, 1x Push stick

# 12 SAFETY

## 12.1 General Safety

To avoid malfunctions, damage and physical injury MUST be observed:

- **Safety must be observed and regularly inspected for completeness!**
- **Warning signs and / or labels on the machine which have been removed must be replaced immediately!**



### ATTENTION

Unauthorized modifications and tampering with the machine immediately invalidate all warranty and damage claims.



Unauthorized modifications and tampering with the machine immediately invalidate all warranty and damage claims.



The machine may only be operated by qualified personnel enrolled. Third people, especially children, and people are not trained to think of the work environment away!



## 12.2 Intendend Use

- The ZIPPER garden shredder ZI GHAS2800 is exclusively used for chopping of branches of all kinds (depending on the type of wood and freshness).
- Wilted, moist, garden waste already stored several days alternating with tree branches.
- Set during the operation could ensure that no foreign objects (such as stones, glass, metal, earth, and plastic) are filled into the chopper, such as foreign bodies blunt the chopping blade and severely damage the engine. Use your chopper solely for the purposes for which it was designed.
- The chopper should be carefully checked before use. Never use a chopper that is not in good condition. If you notice a defect on the machine, which could pose a danger to the user, do not use the chopper until the defects have been corrected.

### **Caution! Please read and follow the safety instructions carefully.**

- The shredder must be properly assembled before use.
- **Caution! This appliance must be earthed!**
- **Caution! Use only three-wire earthed extension cord.**
- Use only approved for outdoor use extension cord before use and check whether they are in good condition.
- Protect you from any damage caused by excessive mechanical stress, sharp edges, moving parts and contact with corrosive liquids, etc., the cable.
- Caution! Do not use an extension cord, which shows signs of damage. Connect a completely new cable before you accept any permanent or temporary repairs. Let the cable replace from a qualified professional.
- Before inserting the plug into the mains power socket, ensure that the mains voltage corresponds to the specifications on the nameplate of the chopper.
- Never move the chopper by pulling the cables.
- Disconnect the machine from the mains power socket always before transport.
- Turn off the shredder before disconnecting any plug-in or extension cord.
- Let the shredder unattended while it is turned on. Turn off the engine and pull out the mains power socket before you leave the chopper. Do the same in case of a power failure.
- Keep children and pets away from the chopper.
- Do not allow children to operate the machine and no person who has not read these instructions or is unfamiliar with the chopper.
- The user is responsible for other people working with the chopper.
- Use the chopper only for the intended purpose.
- **Caution! This machine contains a rotating chopper blades.**
- **Caution! This knife does not stop immediately after stopping.**
- Turn the shredder always, unplug the power cord and wait until the chopper blade has come to a complete stop before making any maintenance or cleaning work.
- Be careful when you clean the Harvester or maintenance work
- **DANGER! Watch your fingers! Wear gloves!**
- It is forbidden to bring any electrical and mechanical safety devices elsewhere or to change.
- The chopper should be only during operation on solid level ground.
- Use it only in daylight or good artificial light.
- Wear gloves when chopping, long pants and eye protection. We recommend the use of hearing protectors.
- **Caution! The funnel must be completely assembled and fixed prior to use.**
- Neither put your hands into the hopper still in the chute.
- If the chopper start to vibrate abnormally, stop the engine immediately and locate the cause. Vibrations generally terminate in malfunction.
- Make sure before shredding any material that the chopper blade is securely attached. Do not work with the chopper when the chopper blade is not properly mounted.
- Replace your safety all worn or damaged parts. Use only original spare parts. Parts that were not made by the manufacturer could sit bad and may cause injury.



- Work. Using your chopper only in places where it is protected from water Use it in the rain never outdoors.
- Store it in a dry and safe place out of reach of children.  
Caution! Always wear safety glasses, hearing protection, gloves and sturdy work clothes!  
We recommend the use of a headgear.

### 12.3 Residual Risks

Also in compliance with all safety regulations and when used following residual risks are considered:

- Risk of injury to the hands / fingers when you grab during the operation with his hands in the hole on the blade unit.
- Risk of injury to the hands / fingers during assembly and cleaning the blade unit.
- Risk of injury due flying away chopped in the funnel.
- Working without hearing protection can cause hearing damage over time.
- Electrical hazard, using improper electrical connection cables.
- Through compliance with all safety regulations such hazards can be reduced to a minimum!

## 13 ASSEMBLY

1. Turn the shredder upside down and pivot the legs up ward (Fig. 1A)
2. Place the supplied wheel axle (A) through the respective openings (Fig. 1A)

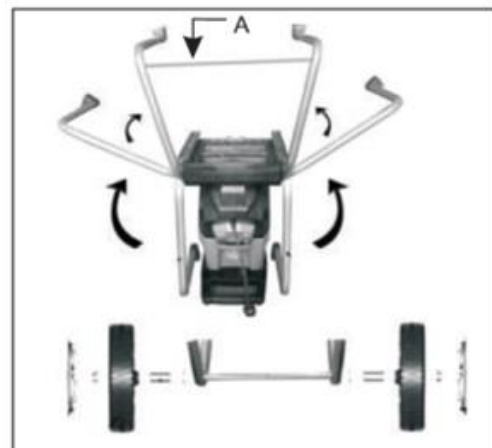


Fig.1A

3. Put the supplied washer (B) and sleeve (C) onto the wheel axle (Fig. 1B)

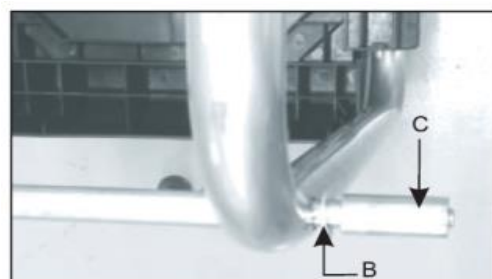


Fig.1B

4. Place the wheels (D) and install nut hand tight (E). (Fig.1C)

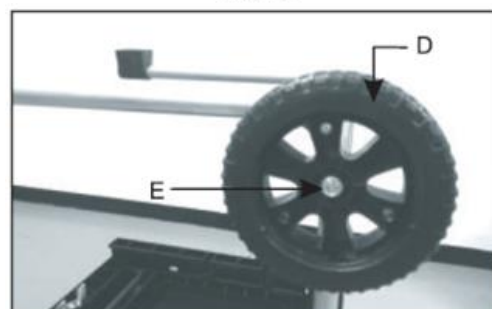


Fig.1C



- Using the supplied wrench (F) to fix the wheel axle and at the same time firmly lock the nut by using the wrench (G). (Fig.1D)

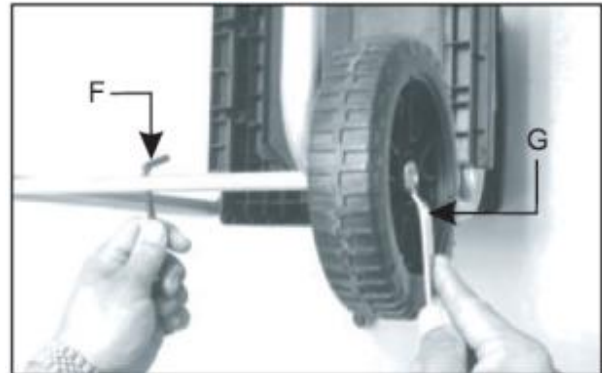


Fig.1D

- Place the wheel cover (H) in the center of the wheel.(Fig.1E)



Fig.1E

#### Mount collection box

- Press down the lock button(A) and then insert the collection box into the undercarriage.(Fig.2)
- Press the lock button (A) totally upward!

#### Remove collection box

- Switch off and disconnect the machine from the power supply.
- Press down the lock button (A) (Fig.2).
- Remove the collection box from the undercarriage.

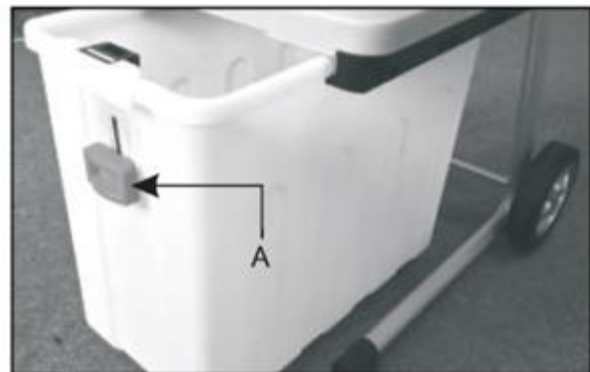


Fig. 2



### ⚠ ATTENTION

**ANY FINAL JAM NUT AND BOLT ON ANY DEAD TIGHT!  
WHILE OPERATING THE VIBRATING MACHINE NOT TIGHTEN THE SCREWS  
CAN BREAK OFF AND LOST AND DANGEROUS SITUATION TO BE CARRIED!**



### 13.1 Start up

- Make sure that the device is completely and correctly assembled.
- Set the shredder for use on firm, horizontal ground (tipping).
- Use the device only in the open. Keep a safe distance (at least 2 m) from a wall or other rigid object.
- **Check before each use:**
  - the connection cables for defects (cracks, cuts, etc.) do not use damaged cables
  - the device for damage (see Safety)
  - that all screws are tightened

### 13.2 Electrical Connection



The supply voltage must comply with the specifications that are listed on the nameplate of your harvester. Chopper with a nominal value of 230 V can be connected to a mains voltage of 230V. The chopper is to be supplied via a residual current protective device with a tripping current not exceeding 30 mA. An extension cord with too small a cross section causes a significant reduction in the efficiency of the machine. For cables with a length of up to 25 m, a diameter of at least  $3 \times 1.5 \text{ mm}^2$  is required, for cables with a length of about 25 m, the cross section must be at least  $2.5 \text{ mm}^2$

#### Note!

When starting (start) this equipment, a brief voltage drop occur, especially in poor network quality. These dips can affect other devices (eg flicker of a lamp). For a line impedance  $Z_{\max} 0.42\text{HM}$  such disturbances are not expected. (Please contact you their local power company for further information).

## 14 OPERATION

### 14.1 Lock button of safety switch

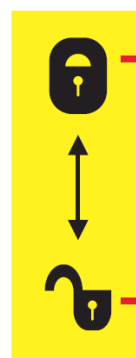
- Make sure that the lock button after mounting the collection box is on position .
- Make sure that the lock button after removing the collection box is on position .

How to use the lock button:

- The lock button in positon close: safety switch is off.
- The lock button in open position: safety switch is on.



lock button of safety switch

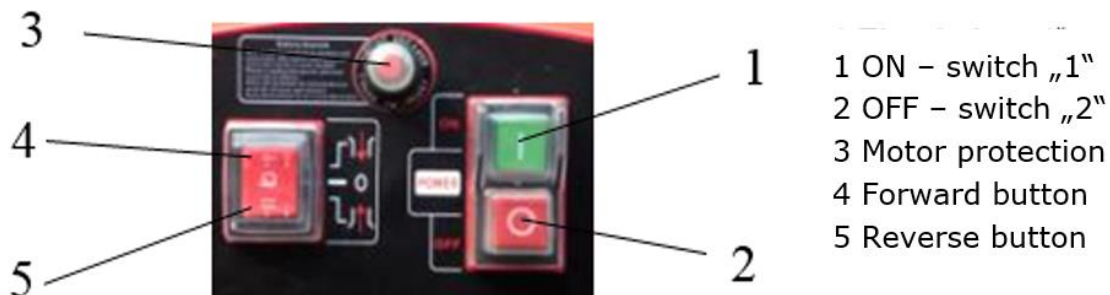


close:  
safety switch activated

open:  
safety switch not activated



## 14.2 Panel



### 14.2.1 On/Off

- Push green button (1 ON - switch)“1” – the shredder starts
- Push red button (2 OFF - switch)“0” – the shredder stops

### 14.2.2 Rotation direction switch



## ATTENTION

**Use the rotation direction switch only when machine is off!**

- 4 Forward button“↓”. The material is automatically pulled in and shredded by knife.
- 5 Reverse button“↑” The Knife works in the opposite direction of rotation, jammed material will be released.

If the material is jammed, first press the red button to stop the machine. Press the reverse button and then the green button to start the machine again. Remove the jammed material. Press the red button to stop the machine again and press the forward button. Then you can continue to work.

### 14.2.1 Motor protection

This machine is equipped with an overload protection system. To protect the motor from being damaged the safety switch will automatically switch off the power.

When the motor is overloaded wait at least 2min to cool down the motor and:



1. Reset button (Motor protection)
2. Green button “1” to restart

## 14.3 Operation instructions

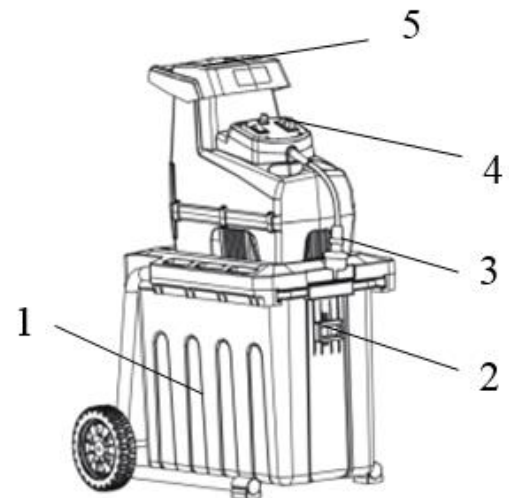
1. Press the on switch, the unit starts up.
2. The reverse button can be used when the machine is in good working condition. Then press the forward button in order to run counterclockwise. Press reverse button to run it clockwise.
3. When removing the collection container during operation of the device the unit will stop automatically.
4. After mounting the collection box. The unit will start after pressing the on switch.
5. If power is suddenly interrupted during operation, the machine stops. The unit starts again when you press the on switch.
6. Press only to stop the off the device. After that, the pressing of the manual forward and reverse switch is no longer possible.





## 14.4 To start and stop

1. Mount the collection box ①;
2. Pull the lock button ② **totally upward**
3. Plug the power supply ③;
4. Push the green button "1" to start the shredder;
5. Start to work;
6. Push the red button "0" to stop the shredder.



## 14.5 To empty the collection box

1. Push the red button "0" to stop the shredder;
2. Press down the lock button ②;
3. Remove the collection box from the undercarriage. ①.

## 14.6 Tips



### ATTENTION

Always wait for the rest of the chaff, before turning it on again.  
Longer material that protrudes out of the machine could turn out if it is confiscated by the chopper blades

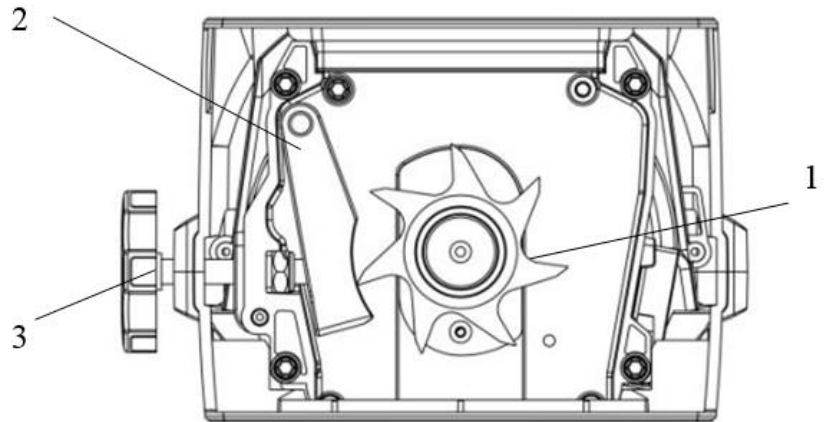
1. Longer material that protrudes out of the machine could turn out if it is confiscated by chopping!
  2. Keep at a safe distance!
  3. Caution! Always use the slide when you try to push the material into the feed tube. Make this never directly with your hands! Insert the slide after use back to its original position.
  4. Heavy material or branches lead to blocking of the chopper blade when they are chopped through.
  5. Fill out the material to be chopped from the right corner of the hopper a forth.
  6. Examine the material to be chopped carefully. Make sure that it is not in contact with stones or nails, as these could damage the shredder heavy.
  7. Check for signs of vibration. Strong vibrations caused by damaged or worn blades. Replace the blade if necessary.
- Large objects or pieces of wood may be removed by the material removed is changed and the same between the cutting and release direction of the chopper blade.
  - Perform only so much material that the feed tube is not clogged.
  - You chopping garden waste that has been stored for several days and are wilted and moist, alternating with tree branches.
  - This avoids that the chopping blades is blocked.
  - Do not put soft material such as kitchen scraps into the chopper, but compost it.
  - Widespread material with leaves must first be completely shredded before new material is introduced.
  - Make sure that the shredded material is free to fall out of the chute – there is the risk of back!
  - The ventilation slots must not be covered by the collector or chopped



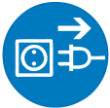

## 14.7 Adjust baffle

The best distance between baffle ② and the cutting blades ① is 0 from 0,50 mm. This distance should be adhered to in order to achieve successful work.

There is an adjustment on the right side of the plastic case. To adjust the distance, turn the knob ③ clockwise, so that the bolt is towards blade rotates. With a half circle, the panel moved 0.50 mm toward cutter. Perform after adjusting cutting tests to check whether the best result is achieved. Make sure that the blade does not strike against the panel to prevent damage to the appliance.



## 15 MAINTENANCE

	<b>ACHTUNG</b>	
	<b>Vor Wartungsarbeiten Maschine ausschalten und den Netzstecker ziehen!</b> <b>Sachschäden und schwere Verletzungen durch unbeabsichtigtes Einschalten der Maschine werden so vermieden!</b>	

The machine is low maintenance and contains little parts that must undergo a maintenance operator. Faults or defects that may affect the safety of the machine, must be rectified immediately. Repairing work may only be performed by qualified personnel!

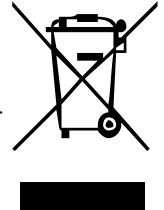
- Make sure that your machine and clean it regularly to get a long-lasting effectiveness and efficiency.
- Keep the air vents clean and free of dust.
- Only use a warm damp cloth and a soft brush to clean your machine.
- Clean the machine. Never under water or even with high pressure.
- Do not use detergents or solvents as these could cause irreparable damage to your machine. Chemicals can damage the plastic parts.
- Check from time to time, the tightness of the mounting bolts on the undercarriage.
- To protect the chopper in storage for a long time against corrosion, handle the chopping blade with something biodegradable oil.
- When the machine for maintenance, inspection or storage or for the replacement of accessories is off, turn the engine off, unplug the power cord out and make sure that all moving parts have come to a standstill. Let the machine cool down before you make any inspection, adjustment, etc.
- The chopper can be packed into the container for storage and transport.  
Follow the steps listed below:
- Store the machine in a dry place. Let the unit run for longer retention periods short dry. Allow the engine to cool before you store it.



- If you wait for the chopper blade set, be aware about the fact that the knife can still be moved by a manual start mechanism, although the engine will not start due to the locking of the guard.

### 15.1 Disposal

Do not dispose the machine in residual waste. Contact your local authorities for information regarding the available disposal options. When you buy at your local dealer for a replacement unit, the latter is obliged to exchange your old.



## 16 TROUBLESHOOTING

**Disconnect the machine from the power supply prior to any checks performed at the machine itself!**

Trouble	Possible cause	Solution
<b>Engine will not start</b>	<ul style="list-style-type: none"> <li>• The overload protection has responded</li> <li>• power failure</li> <li>• Safety switch not closed to the collecting container capable</li> </ul>	<ul style="list-style-type: none"> <li>• Removed jammed parts. Let the motor cool down for about 2min and push the reset button of the motor protection.</li> <li>• Check the mains cord, the plug and the fuse in your home port and the residual current circuit breaker</li> <li>• Make sure that the On-collecting vessel, and be locked in the safe position</li> </ul>
<b>The material to be chopped is not feeding</b>	<ul style="list-style-type: none"> <li>• The chopping blade rotates backwards.</li> <li>• The media is jammed in the feed hopper.</li> </ul>	<ul style="list-style-type: none"> <li>• Change the direction of rotation.</li> <li>• Push Reverse switch and turn the shredder on. Put out the material from the shredder.</li> </ul>
<b>The cutting of the material is not good</b>	<ul style="list-style-type: none"> <li>• The distance of the baffle to the cutting blades is wrong</li> </ul>	<ul style="list-style-type: none"> <li>• Adjust the right distance with the adjusting knob</li> </ul>

**MANY POTENTIAL SOURCES OF ERROR CAN BE CLEARED BY THE EXPERTLY CONNECTION TO THE ELECTRICITY GRID.**

	<b>NOTICE</b>
	<b>Should you in necessary repairs not able to properly to perform or you have not the prescribed training for it always attract a workshop to fix the problem.</b>